

THREADED COUPLING, MIL-DTL-5015 TYPE Harsh Environment Power and Signal Interconnects



253-503-6 Environmental Stainless Steel Plug Assembly MIL-DTL-5015 Series III Type

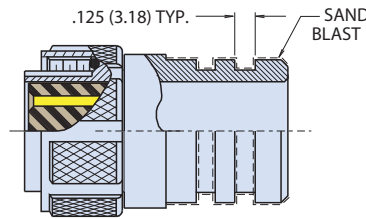
ENVIRONMENTAL CONNECTORS



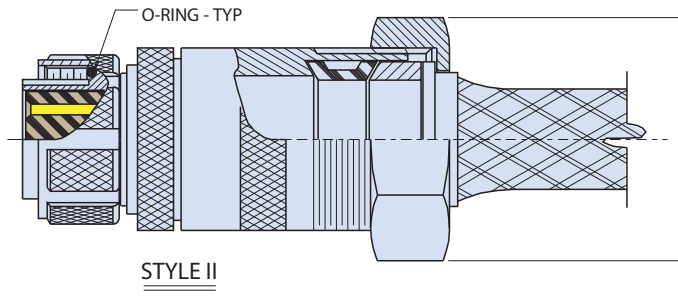
NOTES:

- Assembly identified with manufacturer's name and P/N, space permitting.
- When cable diameter exceeds 'Max Dash No' in Table I, Style II will be supplied.
- Material/Finish:
 - Barrel & rear accessory hardware: passivated stainless steel
 - Coupling nut: nickel/aluminum/bronze
 - Insulator, o-ring, grommet: nitrile/neoprene
 - Grommet follower: nylon
 - Contacts: gold plated copper alloy with solder pots
- Performance data
 - Contact current rating
#20-5 amps, #16-10 amps,
#12-17 amps, #8-35 amps
 - Rated operating voltage
service rating instrument: 250 vdc
service rating A: 700 vdc
 - DWV (hi-pot)
service rating instrument - 1000 vrms
service rating A - 2000 vrms
 - Insulation resistance
5000 megohms minimum at 500 VDC
and +25°C
 - Temperature range: -55°C to +125°C
- Electrical safety limits must be established by the user. Peak voltages, switching surges, transients, etc., should be used to determine the safety of application.
- Contact factory for additional insert arrangements and backshell options

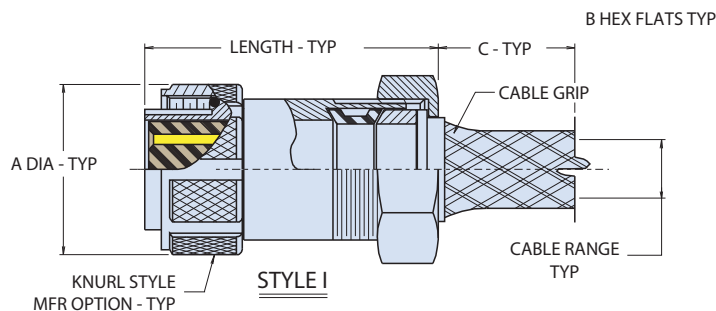
HOW TO ORDER							
Sample Part Number	253-503	-6	-14S-5	P	W	M	08
Basic Part Number	253-503 = 5015 type						
Shell Style	-6 = plug assembly						
Shell Size - Insert Arrangement	See shell size - insert arrangement; Contact factory for additional options						
Contact Type	P = pin S = socket						
Alternate Insert Position	W, X, Y, Z; alternate insert position, omit for normal see page 4						
Molding Adapter	M = molding adapter N = connector only (no adapter) OMIT = standard						
Option Entry	See Table II; omit for standard						



SYM M - MOLDING ADAPTER OPTION



STYLE II



STYLE I

VISIT CATALOG

THREADED COUPLING, MIL-DTL-5015 TYPE Harsh Environment Power and Signal Interconnects



253-503-6 Environmental Stainless Steel Plug Assembly MIL-DTL-5015 Series III Type

ENVIRONMENTAL CONNECTORS

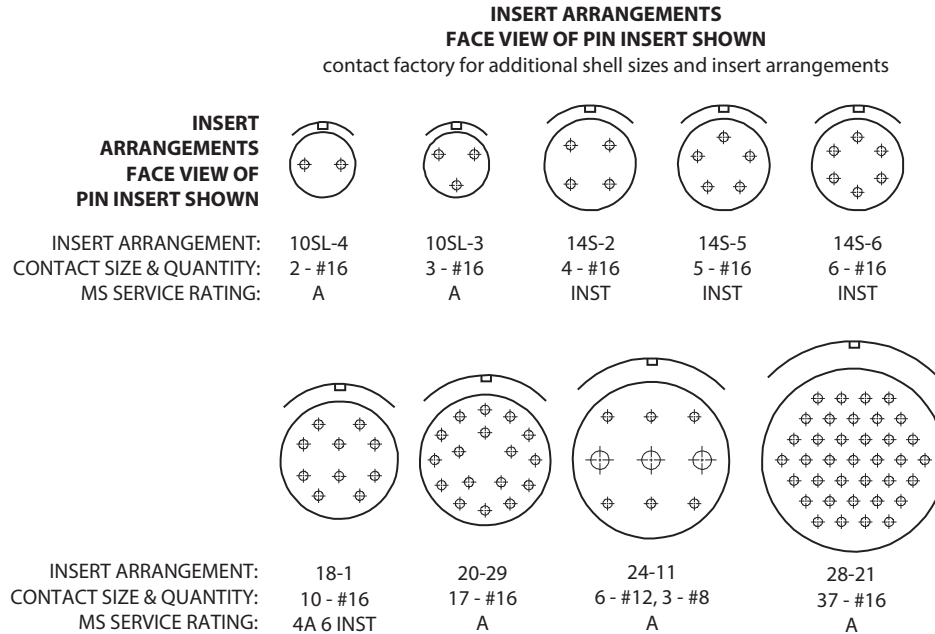


TABLE I: CONNECTOR DIMENSIONS							
SHELL SIZE	A MAX	B FLATS	STD CABLE RANGE		STYLE TYPE	MAX DASH NO See note 2	LENGTH MAX
			MIN	MAX			
10SL	1.031 (26.2)	1.00 (25.4)	.210 (5.3)	.312 (7.9)	I	04	3.00
12	1.125 (28.6)	1.38 (35.0)	.500 (12.7)	.625 (15.9)	II	08	3.00
14S	1.219 (31.0)	1.00 (25.4)	.210 (5.3)	.312 (7.9)	I	10	3.00
18	1.406 (35.7)	1.22 (31.0)	.310 (7.9)	.438 (11.1)	I	12	3.00
20	1.531 (38.9)	1.50 (38.1)	.530 (13.5)	.750 (19.1)	I	14	3.5
24	1.781 (45.2)	1.50 (38.1)	.530 (13.5)	.750 (19.1)	I	16	3.5
28	2.031 (51.6)	1.50 (38.1)	.530 (13.5)	.750 (19.1)	I	16	3.5

TABLE II: CABLE RANGE			
DASH NO REF	C	CABLE RANGE	
		MIN	MAX
03	5.12 (130.0)	.180 (4.6)	.210 (5.3)
04	5.75 (146.1)	.210 (5.3)	.312 (7.9)
06	7.00 (177.8)	.310 (7.9)	.438 (11.1)
08	7.12 (180.8)	.438 (11.1)	.500 (12.7)
10	7.37 (187.2)	.500 (12.7)	.625 (15.9)
12	9.00 (228.6)	.530 (13.5)	.750 (19.1)
14	8.00 (203.2)	.750 (19.1)	.875 (22.2)
16	9.00 (228.6)	.875 (22.2)	1.000 (25.4)

VISIT CATALOG