

THREADED COUPLING, MIL-DTL-5015 TYPE Harsh Environment Power and Signal Interconnects



253-503-2 Environmental Stainless Steel Receptacle MIL-DTL-5015 Series III Type

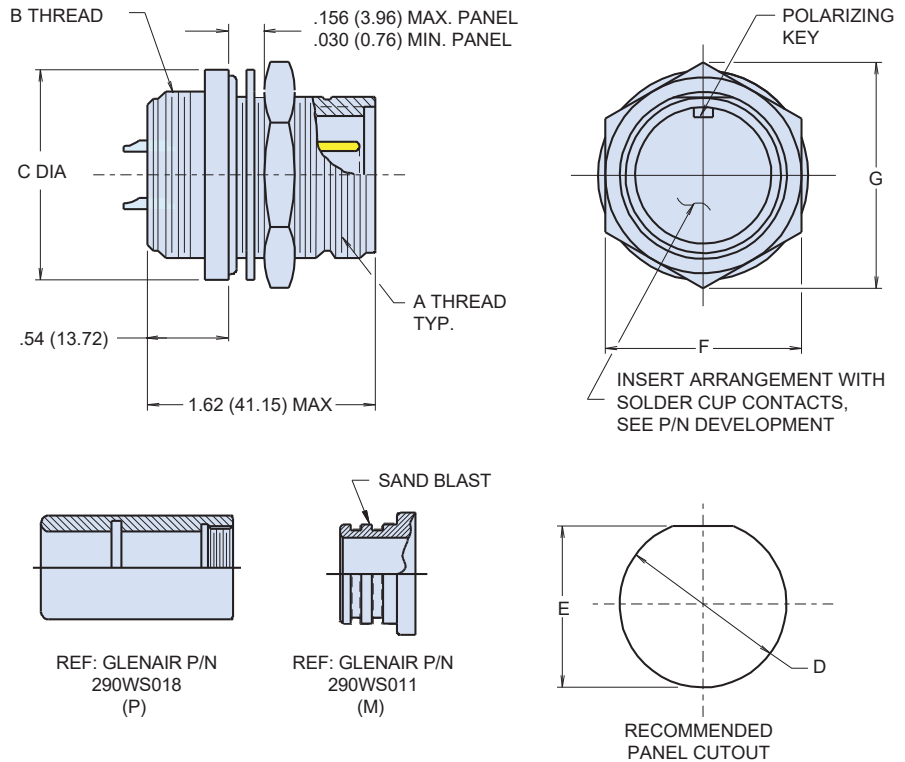
ENVIRONMENTAL CONNECTORS



HOW TO ORDER					
Sample Part Number	253-503	-2	-14S-5	P	W
Basic Part Number	253-503 = 5015 type				
Shell Style	-2 = jam-nut mount receptacle				
Shell Size - Insert Arrangement	See shell size - insert arrangement; contact factory for additional options				
Contact Type	P = pin S = socket				
Alternate Insert Position	W, X, Y, Z, OMIT for normal; alternate insert positions on page 4				

NOTES:

- Assembly identified with manufacturer's name and p/n, space permitting.
- Material/Finish
 - Shell: passivated stainless steel
 - Insulator, o-ring, grommet: nitrile/neoprene
 - Contacts: gold plated copper alloy
- Performance Data
 - Contact current rating
 - #20-5 amps, #16-10 amps, #12-17 amps, #8-35 amps.
 - Rated operating voltage service rating instrument: 250 VDC service rating A: 700 VDC
 - DWV (hi-pot) service rating instrument: 1000 VRMS service rating A: 2000 VRMS
 - Insulation resistance 5000 megohms minimum at 500 VDC and +25°C
 - Temperature range -55°C to +125°C
- Extension and diameter of contacts apply to #16 contacts only, for other sizes, consult factory.
- Electrical safety limits must be established by the user. Peak voltages, switching surges, transients, etc., should be used to determine safety of application.
- Contact factory for additional insert arrangements and backshell options



VISIT CATALOG

THREADED COUPLING, MIL-DTL-5015 TYPE Harsh Environment Power and Signal Interconnects



253-503-2 Environmental Stainless Steel Receptacle MIL-DTL-5015 Series III Type

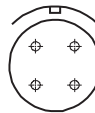
ENVIRONMENTAL CONNECTORS

INSERT ARRANGEMENTS

FACE VIEW OF PIN INSERT SHOWN

contact factory for additional shell sizes and insert arrangements

INSERT ARRANGEMENTS FACE VIEW OF PIN INSERT SHOWN



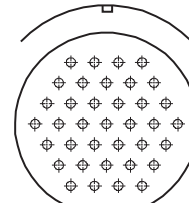
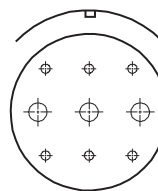
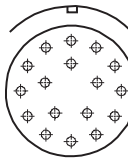
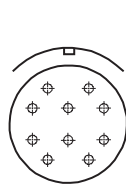
INSERT ARRANGEMENT: 10SL-4
CONTACT SIZE & QUANTITY: 2 - #16
MS SERVICE RATING: A

10SL-3
3 - #16
A

14S-2
4 - #16
INST

14S-5
5 - #16
INST

14S-6
6 - #16
INST



INSERT ARRANGEMENT: 18-1
CONTACT SIZE & QUANTITY: 10 - #16
MS SERVICE RATING: 4A 6 INST

20-29
17 - #16
A

24-11
6 - #12, 3 - #8
A

28-21
37 - #16
A

TABLE I: CONNECTOR DIMENSIONS

SHELL SIZE	A THREAD CLASS 2A	B THREAD CLASS 2A	C DIA MAX	D DIA +.010-.000 (+0.3-0)	E +.010-.000 (+0.3-0)	F MAX	G MAX
10SL	5/8 -24 UNEF	5/8 -24 UNEF	1.03(26.2)	.635(16.1)	.585(14.9)	.812(20.6)	.94(23.9)
12	3/4 -20 UNEF	3/4 -20 UNEF	1.16(29.5)	.760(19.3)	.710(18.0)	.938(23.8)	1.09(27.7)
14S	7/8 -20 UNEF	7/8 -20 UNEF	1.28(32.5)	.885(22.5)	.835(21.2)	1.125(28.6)	1.25(31.8)
18	1 1/8 -18 UNEF	1 1/8 -16 UN	1.66(42.2)	1.135(28.8)	1.085(27.6)	1.500(38.1)	1.69(42.9)
20	1 1/4 -18 UNEF	1 1/4 -16 UN	1.78(45.2)	1.260(32.0)	1.210(30.7)	1.625(41.3)	1.82(46.2)
24	1 1/2 -18 UNEF	1 1/2 -16 UN	2.03(51.6)	1.510(38.4)	1.460(37.1)	1.875(47.6)	2.12(53.8)
28	1 3/4 -18 UNS	1 3/4 -18 UN	2.28(57.9)	1.760(44.7)	1.710(43.4)	2.125(54.0)	2.42(61.5)

VISIT CATALOG