

THREADED COUPLING, MIL-DTL-5015 TYPE Harsh Environment Power and Signal Interconnects



253-500 Environmental Bulkhead Feed-Thru, Square Flange Mount MIL-DTL-5015 Series III Type

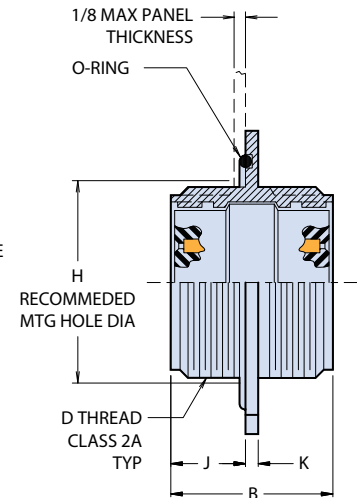
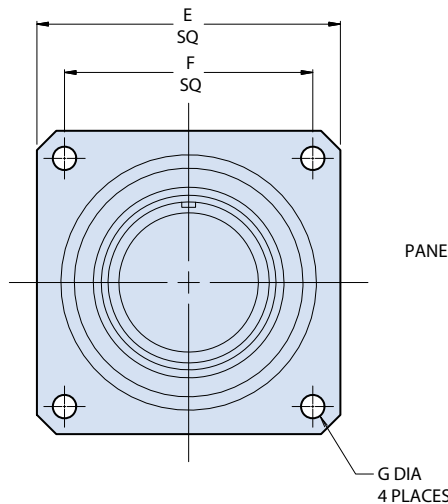
ENVIRONMENTAL CONNECTORS

VISIT CATALOG

NOTES:

- Assembly identified with manufacturer's name and P/N, space permitting
- Material/Finish
 - Shell: See Table II
 - Contacts: copper alloy / gold plate
 - Insulators, spacer: high-grade rigid dielectric
 - O-rings & seals: silicone
- Glenair 253-500 bulkhead feedthru is designed to mate with any QPL manufacturer's MIL-DTL-5015 plug connector having the same shell size, insert arrangement, and polarization.
- Insert arrangement IAW MIL-DTL-5015 .
- For pin/pin and skt/skt, symmetrical layouts only. Consult factory for available insert arrangements .
- Power to a given contact on one end will result in power to contact directly opposite, regardless of identification letter ,
- Electrical safety limits must be established by user. Peak , voltage, switching surge, transient , etc., should be used to determine the safety application.
- Contact factory for additional insert arrangements and backshell options

HOW TO ORDER					
Sample Part Number	253-500	-14S	-5	P	W
Basic Part Number	253-500 = square flange mount bulkhead feed-thru				
Material/Finish	B, M, N, NF, ZU, ZW, Z1, ZL; see Table II				
Insert Arrangement Dash No	Shell size - insert arrangements per MIL-STD-1651 on page 2				
Contact Type	P = pins S = sockets	PS = pin on panel side / socket opposite SP = socket on panel side / pin opposite			
Alternate Insert Position	W, X, Y, Z; alternate insert positions on page 4				



Shell Size	B Max	D Thread Class 2A	E Dim ± .031 (0.79)	F Dim ± .005 (0.13)	G Dia. .010 (0.25) - .000 (0.0)	H Dia. .010 (0.25) - .000 (0.0)	J ± .015 (0.38)	K ± .015 (0.38)
8S	1.750 (44.5)	½-28 UNEF	0.875 (22.2)	0.594 (15.1)	0.120 (3.0)	0.510 (13.0)	0.578 (14.7)	0.083 (2.1)
10SL	1.750 (44.5)	¾-24 UNEF	1.000 (25.4)	0.719 (18.3)	0.120 (3.0)	0.635 (16.1)	0.578 (14.7)	0.083 (2.1)
12S	1.750 (44.5)	¾-20 UNEF	1.094 (27.8)	0.812 (20.6)	0.120 (3.0)	0.760 (19.3)	0.578 (14.7)	0.083 (2.1)
12	2.125 (54.0)	¾-20 UNEF	1.094 (27.8)	0.812 (20.6)	0.120 (3.0)	0.760 (19.3)	0.800 (20.3)	0.083 (2.1)
14S	1.750 (44.5)	7/8-20 UNEF	1.188 (30.2)	0.906 (23.0)	0.120 (3.0)	0.885 (22.5)	0.578 (14.7)	0.083 (2.1)
14	2.125 (54.0)	7/8-20 UNEF	1.188 (30.2)	0.906 (23.0)	0.120 (3.0)	0.885 (22.5)	0.800 (20.3)	0.083 (2.1)
16S	1.750 (44.5)	1-20 UNEF	1.281 (32.5)	0.969 (24.6)	0.120 (3.0)	1.010 (25.7)	0.578 (14.7)	0.083 (2.1)
16	2.125 (54.0)	1-20 UNEF	1.281 (32.5)	0.969 (24.6)	0.120 (3.0)	1.010 (25.7)	0.800 (20.3)	0.083 (2.1)
18	2.125 (54.0)	1½-18 UNEF	1.375 (34.9)	1.062 (27.0)	0.120 (3.0)	1.135 (28.8)	0.800 (20.3)	0.100 (2.5)
20	2.125 (54.0)	1¼-18 UNEF	1.500 (38.1)	1.156 (29.4)	0.120 (3.0)	1.260 (32.0)	0.800 (20.3)	0.100 (2.5)
22	2.125 (54.0)	1¾-18 UNEF	1.625 (41.3)	1.250 (31.8)	0.120 (3.0)	1.385 (35.2)	0.800 (20.3)	0.100 (2.5)
24	2.125 (54.0)	1½-18 UNEF	1.750 (44.5)	1.375 (34.9)	0.147 (3.7)	1.510 (38.4)	0.800 (20.3)	0.100 (2.5)
28	2.125 (54.0)	1¾-18 UNS	2.000 (50.8)	1.562 (39.7)	0.147 (3.7)	1.760 (44.7)	0.820 (20.8)	0.100 (2.5)
32	2.125 (54.0)	2-18 UNS	2.250 (57.2)	1.750 (44.5)	0.173 (4.4)	2.010 (51.1)	0.800 (20.3)	0.100 (2.5)
36	2.125 (54.0)	2¼-16 UNS	2.500 (63.5)	1.938 (49.2)	0.173 (4.4)	2.260 (57.4)	0.880 (22.4)	0.125 (3.2)
40	2.125 (54.0)	2½-16 UN	2.750 (69.9)	2.188 (55.6)	0.173 (4.4)	2.510 (63.8)	0.880 (22.4)	0.125 (3.2)
44	2.125 (54.0)	2¾-16 UN	3.000 (76.2)	2.438 (61.9)	0.173 (4.4)	2.760 (70.1)	0.880 (22.4)	0.125 (3.2)
48	2.125 (54.0)	3-16 UN	3.250 (82.6)	2.688 (68.3)	0.173 (4.4)	3.010 (76.5)	0.880 (22.4)	0.125 (3.2)

Sym	Finish
Aluminum Alloy	
B	Cadmium Plate / Olive Drab
M	Electroless Nickel
N	Cad Plate / Olive Drab over Nickel Plate
NF	Cad / O.D. over Electroless Nickel (500 hr. Salt Spray)
TZ	Tin zinc, yellow to brown chromate, RoHS
MT	Nickel-PTFE
Stainless Steel	
ZU	Black Cad / Nickel Strike
ZTZ	Tin zinc, yellow to brown chromate, RoHS