

THREADED COUPLING, MIL-DTL-5015 TYPE Harsh Environment Power and Signal Interconnects



190-007-7 Environmental Lightweight Composite Jam-Nut Mount Receptacle MIL-DTL-5015 Series III Type



NOTES:

1. Assembly identified with manufacturer's name and p/n, space permitting.
2. Material / Finish
 - Shell: high grade engineering thermoplastic (ryton).
 - Insulator, o-ring, grommet: nitrile/neoprene
 - Contacts: gold plated copper alloy with solder pots .
3. Performance data
 - Contact current rating
#20-5 amps, #16-10 amps,
#12-17 amps, #8-35 amps
 - Rated operating voltage:
service rating instrument - 250 VDC
service rating A - 700 VDC
 - DWV (hi-pot):
service rating instrument: 1000 VRMS
service rating A: 2000 VRMS
 - Insulation resistance
5000 megohms minimum at 500 VDC
and +25°C
 - Temperature range: -55°C to +125°C
4. Electrical safety limits must be established by the user. Peak voltages, switching surges, transients, etc., should be used to determine the safety of application .
5. Contact factory for additional insert arrangements and backshell options

HOW TO ORDER					
Sample Part Number	190-007-7	-14S-5	P	W	M
Basic Part Number	190-007-7 = composite plug				
Shell Size - Insert Arrangement	See shell size - insert arrangement below; contact factory for additional options				
Contact Type	P = pin S = socket				
Alternate Insert Position	W, X, Y, Z, OMIT for normal; alternate insert positions on page 4				
Molding Adapter	M = molding adapter C = connector only (no adapter)				

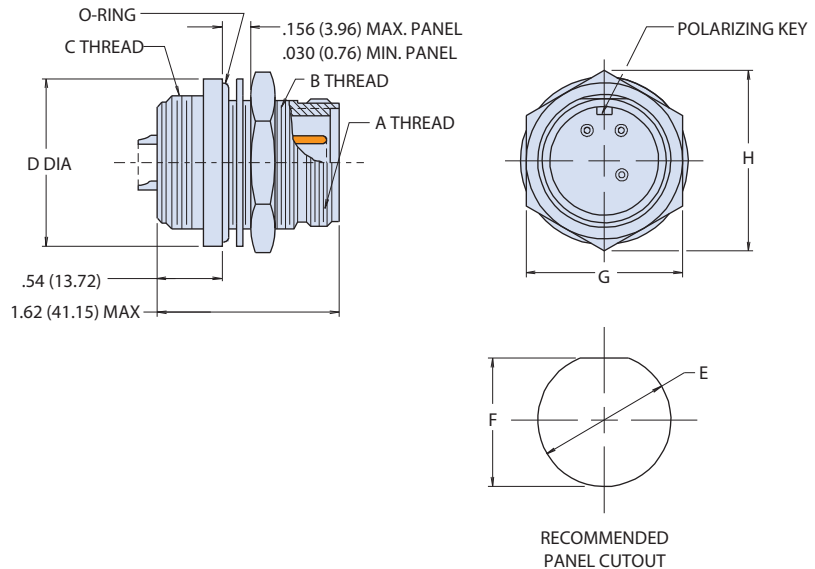
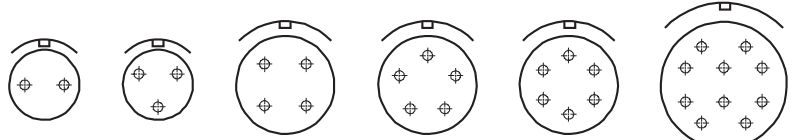


TABLE I: CONNECTOR DIMENSIONS								
Shell Size	A Thread Class 2a	B Thread Class 2a	C Thread Class 2a	D Dia Max	E Dia +.010-.000 (+0.3-0)	F +.010-.000 (+0.3-0)	G Flats	H Max
10SL	.625-.1P-1L	3/4 -20 UNEF	5/8 -24 UNEF	1.10 (27.9)	.760 (19.3)	.710 (18.0)	.938 (23.8)	1.09 (27.7)
14S	.875-.1P-1L	1 -20 UNEF	7/8 -20 UNEF	1.45 (36.8)	1.010 (25.7)	.960 (24.4)	1.250 (31.8)	1.44 (36.6)
18	1.125-.1P-1L	1 1/4 -18 UNEF	1 1/8 -16 UN	1.75 (44.5)	1.260(32.0)	1.210 (30.7)	1.500 (38.1)	1.73 (43.9)

INSERT ARRANGEMENTS FACE VIEW OF PIN INSERT SHOWN



INSERT ARRANGEMENT:	10SL-4	10SL-3	14S-2	14S-5	14S-6	18-1
CONTACT SIZE & QUANTITY:	2 - #16	3 - #16	4 - #16	5 - #16	6 - #16	10 - #16
MS SERVICE RATING:	A	A	INST	INST	INST	4A 6 INST