

THREADED COUPLING, MIL-DTL-5015 TYPE Harsh Environment Power and Signal Interconnects



190-007-6 Environmental Lightweight Composite Plug MIL-DTL-5015 Series III Type

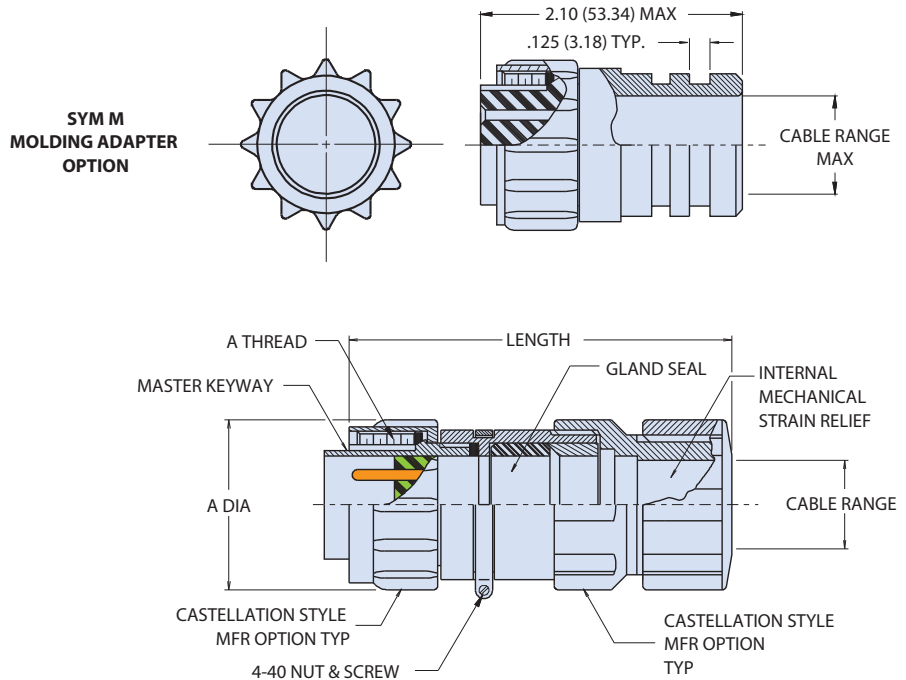
ENVIRONMENTAL CONNECTORS



HOW TO ORDER					
Sample Part Number	190-007-6	-14S-5	P	W	M
Basic Part Number	190-007-6 = composite plug				
Shell Size - Insert Arrangement	see shell size and insert arrangements below; contact factory for additional options				
Contact Type	P = pin S = socket				
Alternate Insert Position	W, X, Y, Z, omit for normal; alternate key positions on page 4				
Molding Adapter	M = molding adapter C = connector only (no adapter)				

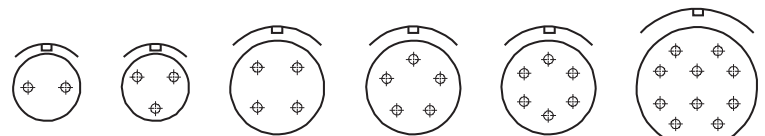
NOTES:

- Assembly identified with manufacturer's name and p/n, space permitting.
- Material / Finish:
 - Barrel, coupling nut & rear accessory hardware: high grade engineering thermoplastic (ryton).
 - Insulator, o-ring, grommet: nitrile/ neoprene
 - Grommet follower: nylon
 - Contacts: gold plated copper alloy with solder pots .
- Performance data
 - Contact current rating
#20-5 amps, #16-10 amps,
#12-17 amps, #8-35 amps
 - Rated operating voltage
service rating instrument: 250 VDC
Service rating A: 700 VDC
 - DWV (hi-pot)
service rating instrument: 1000 VRMS
service rating A: 2000 VRMS
 - Insulation resistance
5000 megohms minimum at 500 VDC
and +25°C
 - Temperature range: -55°C to +125°C
- Electrical safety limits must be established by the user. Peak voltages, switching surges, transients, etc., should be used to determine the safety of application .
- Contact factory for additional insert arrangements and backshell options



INSERT ARRANGEMENTS FACE VIEW OF PIN INSERT SHOWN

INSERT ARRANGEMENT:	10SL-4	10SL-3	14S-2	14S-5	14S-6	18-1
CONTACT SIZE & QUANTITY:	2 - #16	3 - #16	4 - #16	5 - #16	6 - #16	10 - #16
MS SERVICE RATING:	A	A	INST	INST	INST	4A 6 INST



VISIT CATALOG