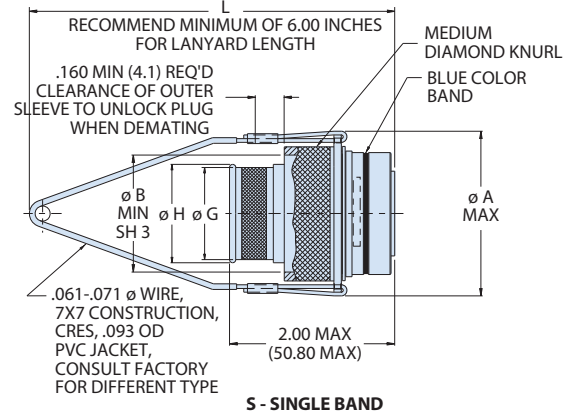
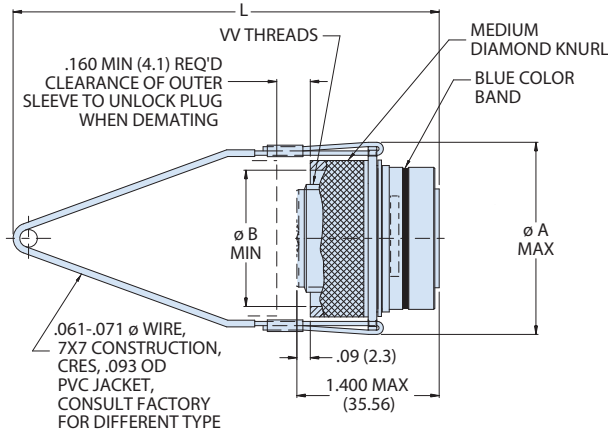


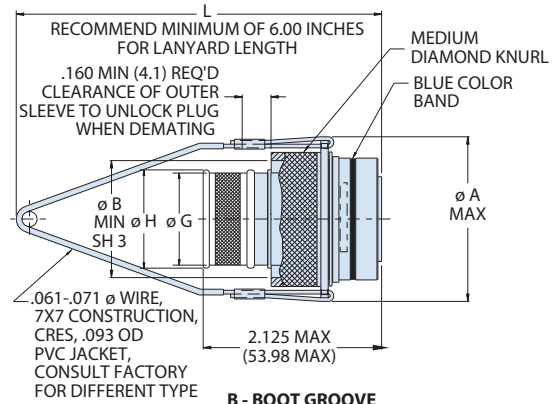
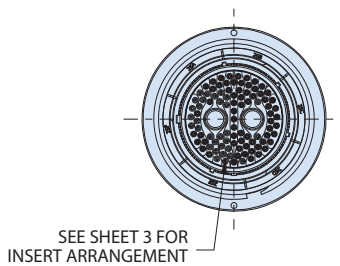
MIL-DTL-38999 Series III Type

233-223 Electrical connector, quick disconnect plug

Part Number Development										
Sample Part Number	233-223									
Series / Basic Part No.	233-223 = Electrical Connector, Quick Disconnect Plug									
Rear Accessory Options	- = Accessory Thread and Teeth B = Intergrated Backshell Boot Adapter S = Intergrated Backshell Single Band									
Plug										
Material / Finish	ME = Aluminum Alloy, Electroless Nickel NF = Aluminum Alloy, Olive Drab-Cadmium Over Nickel MT = Aluminum Alloy, Nickel Fluorocarbon Polymer Z1 = Stainless Steel, Passivated ZL = Stainless Steel, Electrodeposited Nickel									
Shell Size	See Dimensions table									
Ground Option	G = Common Ground - = None									
Insert Arrangement	MIL-STD-1560									
Lanyard Length Code	See Lanyard Length Code table									
Conact Style	A = Pin Less Contact P = Pin Insert Contacts B = Socket Less Contact S = Socket Insert Contacts									
Alternate Polarization	A, B, C, D, E, N = Normal									
Optional Mod Code	Optional mod code 991 is added to end of part to control lanyard straight pulling force. At max 22 LBF (100 newton) pull test is performed without contact.									



S - SINGLE BAND



B - BOOT GROOVE

MIL-DTL-38999 Series III Type

233-223 Electrical connector, quick disconnect plug

Dimensions				
Shell Size	Shell Size Code	A Max	B Min	Vv Thread
09	A	1.800 (45.7)	0.977 (24.8)	M12 x1-6g-0.100R
11	B	1.846 (46.9)	1.003 (25.5)	M15 x1-6g-0.100R
13	C	1.972 (50.1)	1.177 (29.9)	M18 x1-6g-0.100R
15	D	2.078 (52.8)	1.299 (33.0)	M22 x1-6g-0.100R
17	E	2.204 (56.0)	1.425 (36.2)	M25 x1-6g-0.100R
19	F	2.330 (59.2)	1.535 (39.0)	M28 x1-6g-0.100R
21	G	2.472 (62.8)	1.661 (42.2)	M31 x1-6g-0.100R
23	H	2.594 (65.9)	1.787 (45.4)	M34 x1-6g-0.100R
25	J	2.704 (68.7)	1.909 (48.5)	M37 x1-6g-0.100R

Separation Pull Forces Maximum		
Shell Size	Straight Pull Lbs. (Newton)	15 Degree Pull Lbs. (Newton)
9	44.96 (200)	55.08 (245)
11	44.96 (200)	55.08 (245)
13	44.96 (200)	55.08 (245)
15	44.96 (200)	55.08 (245)
17	89.92 (400)	100.04 (445)
19	89.92 (400)	100.04 (445)
21	89.92 (400)	100.04 (445)
23	89.92 (400)	100.04 (445)
25	89.92 (400)	100.04 (445)

Lanyard Length Code							
Code	L ± .236 (±6)	Code	L ± .236 (±6)	Code	L ± .236 (±6)	Code	L ± .236 (±6)
A	4.016(102)	G	7.007(178)	M	10.000(254)	U	13.031(331)
B	4.527(115)	H	7.519(191)	N	10.511(267)	V	14.015(356)
C	5.000(127)	I	7.992(203)	P	11.023(280)	W	15.000(381)
D	5.511(140)	J	8.503(216)	R	11.535(293)	X	16.023(407)
E	6.024(153)	K	9.015(229)	S	12.007(305)	Y	17.007(432)
F	6.535(166)	L	9.527(242)	T	12.519(318)	Z	18.031(458)

Integral Backshell		
Shell Size	+ G	+ H
11	0.535 (13.59)	0.585 (14.86)
13	0.643 (16.33)	0.703 (17.86)
15	0.800 (20.32)	0.860 (21.84)
17	0.930 (23.62)	0.980 (24.89)
19	1.040 (26.42)	1.100 (27.94)
21	1.155 (29.34)	1.215 (30.86)
23	1.273 (32.33)	1.333 (33.86)
25	1.391 (35.33)	1.451 (36.86)

Supplied Components				
Contact Size	Contact Pin Part Number	Contact Socket Part Number	Sealing Plug Part Number	Insertion/Removal Tool Part Number
23	M39029/122-670	M39029/121-663	M27488-23	M81969/1-05
22D	M39029/58-360	M39029/56-348	M27488-22	M81969/14-01
20	M39029/58-363	M39029/56-351	M27488-20	M81969/14-10
16	M39029/58-364	M39029/56-352	M27488-16	M81969/14-03
12	M39029/58-365	M39029/56-353	M27488-12	M81969/14-04
12	M39029/102-558 Coax	M39029/103-559 Coax	M27488-12	M81969/14-04
8	M39029/60-367 Coax	M39029/59-366 Coax	M27488-8	M81969/14-06
8	M39029/90-529 Twinax	M39029/91-530 Twinax	M27488-8	M81969/14-06

NOTES

- This connector mates with DOD-C-38999/20, /21, /23, /24, /25, and /27.
- Blue color band indicates rear release retention system.
- Dim b is clearance to accommodate Mil-C-85049 accessories.
- For backshell extender consult factory.
- All contacts, insertion / removal tool, and sealing plug to be ordered separately.
- Connector 233-223 is commercial equivalent of D38999/29, /30 and /31 type 2. Glenair test data #GT-15-107, and #GT-16-176
- Ground plane option only available for insert arrangement where all contacts are shielded type.
- Banding Port Option:
 - B = intergrated backshell boot adapter over all dimension is 2.125 Max for size 11-25-not offered for size 9
 - S = intergrated backshell single band over all dimension is 2.00 Max. For size 11-25- not offered for size 9.
- Coupling nut clearance is for backshell. Boot and overmold O.D must be less than ø B dimensions.
- Material/finish
 - Shell, coupling sleeve, lanyard ring, inner sleeve, locking-al alloy or cres/ see Lanyard Length Code table
 - Contacts - copper alloy/gold plate
 - Insulators - high grade rigid dielectric/ N.A.
 - Seals - fluorosilicone/N.A.