

253-600 Environmental Connectors



HOW TO ORDER							
Sample Part Number	253-600	-06	NF	16	-11	P	W
Basic Part Number	253-600 Environmental Connector						
Connector Style	See Table II						
Material/Finish	See Table I						
Shell Size	12, 14, 16, 18, 20, 22, 24, 28, 32, 36, 40, 44						
Insert Arrangement	Per MIL-STD-1651						
Contact Style	P = Pin S = Socket						
Alternate Polarization	W, X, Y, Z (Omit for Normal)						

MATERIAL/FINISH

- Insulator - High grade rigid dielectric
- Seals, grommet - Fluorosilicone blend
- Contacts - Copper alloy / silver plated

NOTES

- Glenair 253-600 connectors are designed to mate with any QPL manufacturer's MIL-DTL-22992, Class R connectors having the same shell size, insert arrangement, and polarization.

TABLE I - MATERIAL/FINISH

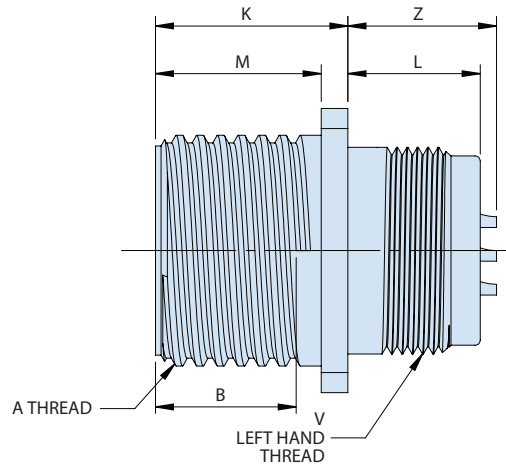
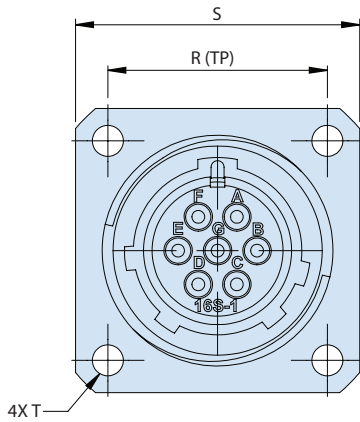
Sym	Material	Finish
ME	Aluminum Alloy	Electroless Nickel
MT		Nickel Teflon
NF		Cad/Olive Drab Over Electroless Nickel
TZ		Tin-Zinc, Green-Gold
ZR		Zinc-Nickel, Black
Z1	Stainless Steel	Passivate

TABLE II - CONNECTOR STYLE

Sym	Description
-00	Receptacle, Wall Mount (MS17343)
-06	Plug, Straight (MS17344)
-05	Receptacle, Cable Connecting (MS17345)
-02	Receptacle, Box Mount (MS17346)
-07	Receptacle, Jam Nut, Wall Mount (MS17347)
-08	Receptacle, Jam Nut, Box Mount (MS17348)

253-600-00 Wall Mount Receptacle

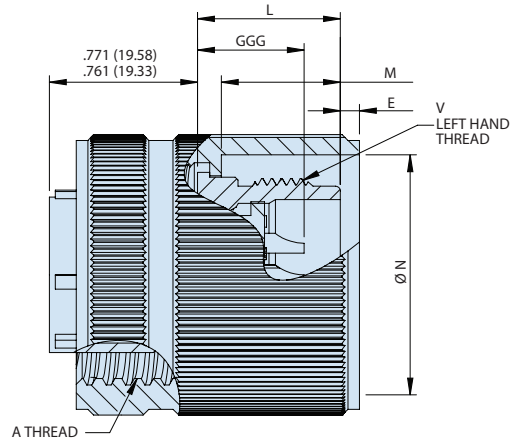
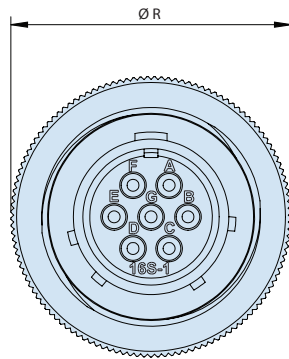
00- WALL MOUNT RECEPTACLE (MS17343)



Shell Size	A Thread Class 2A 0.1P-0.2L Double Stub	B Min Full Thd	K +.005 -0.020	M +.010 -0.000	R (TP)	S +.021 -0.020	T Dia ±.005	V Thread Class 2A-LH	L ± .020	Z Max
12	.8750 (22.23)	.672 (17.07)	.938 (23.83)	.797 (20.24)	.906 (23.01)	1.188 (30.18)	.150 (3.81)	.750-20 UNEF	.640 (16.26)	.700 (17.78)
14	1.0000 (25.40)	.672 (17.07)	.938 (23.83)	.797 (20.24)	.969 (24.61)	1.281 (32.54)	.150 (3.81)	.875-20 UNEF	.640 (16.26)	.700 (17.78)
16	1.1250 (28.58)	.672 (17.07)	.938 (23.83)	.797 (20.24)	1.062 (26.97)	1.375 (34.93)	.150 (3.81)	1.000-20 UNEF	.640 (16.26)	.700 (17.78)
18	1.2500 (31.75)	.672 (17.07)	.953 (24.21)	.797 (20.24)	1.156 (29.36)	1.500 (38.10)	.177 (4.50)	1.125-18 UNEF	.625 (15.88)	.686 (17.42)
20	1.3750 (34.93)	.672 (17.07)	.953 (24.21)	.797 (20.24)	1.250 (31.75)	1.625 (41.28)	.177 (4.50)	1.250-18 UNEF	.625 (15.88)	.686 (17.42)
22	1.5000 (38.10)	.672 (17.07)	.953 (24.21)	.797 (20.24)	1.375 (34.93)	1.750 (44.45)	.177 (4.50)	1.375-18 UNEF	.625 (15.88)	.686 (17.42)
24	1.7500 (44.45)	.672 (17.07)	1.047 (26.59)	.859 (21.82)	1.562 (39.67)	2.000 (50.80)	.177 (4.50)	1.625-18 UNEF	.594 (15.09)	.585 (14.86)
28	2.0000 (50.80)	.672 (17.07)	1.047 (26.59)	.859 (21.82)	1.750 (44.45)	2.250 (57.15)	.177 (4.50)	1.875-16 UN	.594 (15.09)	.591 (15.01)
32	2.2500 (57.15)	.672 (17.07)	1.111 (28.22)	.922 (23.42)	1.938 (49.23)	2.500 (63.50)	.209 (5.31)	2.0625-16 UNS	.530 (13.46)	.528 (13.41)
36	2.5000 (63.50)	.672 (17.07)	1.111 (28.22)	.922 (23.42)	2.188 (55.58)	2.750 (69.85)	.209 (5.31)	2.3125-16 UNS	.530 (13.46)	.528 (13.41)
40	2.7500 (69.85)	.672 (17.07)	1.111 (28.22)	.922 (23.42)	2.375 (60.33)	3.000 (76.20)	.209 (5.31)	2.625-16 UN	.703 (17.86)	.528 (13.41)
44	3.0000 (76.20)	.672 (17.07)	1.109 (28.17)	.922 (23.42)	2.625 (66.68)	3.250 (82.55)	.209 (5.31)	2.875-16 UN	.703 (17.86)	.770 (19.56)

253-600-06 Straight Plug

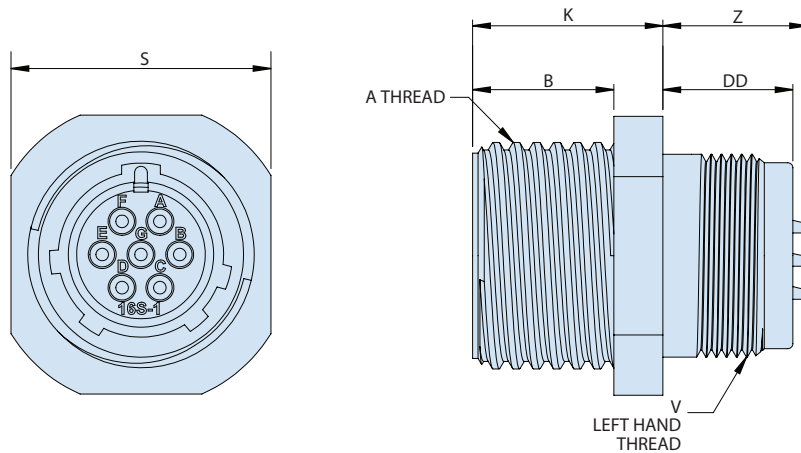
-06 - STRAIGHT PLUG (MS17344)



Shell Size	A Thread Class 2A 0.1P-0.2L Double Stub	M ± .031	N +.010 -.001	E Max	L +.011 -.010	Ø R Max	GGG Max	V Thread Class 2A-LH
12	.8750 (22.23)	.529 (13.44)	.985 (25.02)	.100 (2.54)	.738 (18.75)	1.156 (29.36)	.898 (22.81)	.750-20 UNEF
14	1.0000 (25.40)	.529 (13.44)	1.109 (28.17)	.100 (2.54)	.738 (18.75)	1.281 (32.54)	.898 (22.81)	.875-20 UNEF
16	1.1250 (28.58)	.529 (13.44)	1.235 (31.37)	.150 (3.81)	.738 (18.75)	1.469 (37.31)	.898 (22.81)	1.000-20 UNEF
18	1.2500 (31.75)	.529 (13.44)	1.359 (34.52)	.275 (6.99)	.738 (18.75)	1.563 (39.70)	.898 (22.81)	1.125-18 UNEF
20	1.3750 (34.93)	.529 (13.44)	1.485 (37.72)	.275 (6.99)	.738 (18.75)	1.688 (42.88)	.898 (22.81)	1.250-18 UNEF
22	1.5000 (38.10)	.529 (13.44)	1.609 (40.87)	.275 (6.99)	.738 (18.75)	1.844 (46.84)	.898 (22.81)	1.375-18 UNEF
24	1.7500 (44.45)	.529 (13.44)	1.859 (47.22)	.275 (6.99)	.800 (20.32)	2.094 (53.19)	.898 (22.81)	1.625-18 UNEF
28	2.0000 (50.80)	.529 (13.44)	2.109 (53.57)	.275 (6.99)	.800 (20.32)	2.344 (59.54)	.898 (22.81)	1.875-16 UN
32	2.2500 (57.15)	.529 (13.44)	2.359 (59.92)	.275 (6.99)	.875 (22.23)	2.594 (65.89)	.898 (22.81)	2.0625-16 UN
36	2.5000 (63.50)	.529 (13.44)	2.609 (66.27)	.300 (7.62)	.875 (22.23)	2.844 (72.24)	.898 (22.81)	2.3125-16 UN
40	2.7500 (69.85)	.717 (18.21)	2.922 (74.22)	.100 (2.54)	1.041 (26.44)	3.156 (80.16)	.898 (22.81)	2.625-16 UN
44	3.0000 (76.20)	.717 (18.21)	3.172 (80.57)	.109 (2.77)	1.041 (26.44)	3.406 (86.51)	1.062 (26.97)	2.875-16 UN

253-600-05 Cable Connecting Receptacle

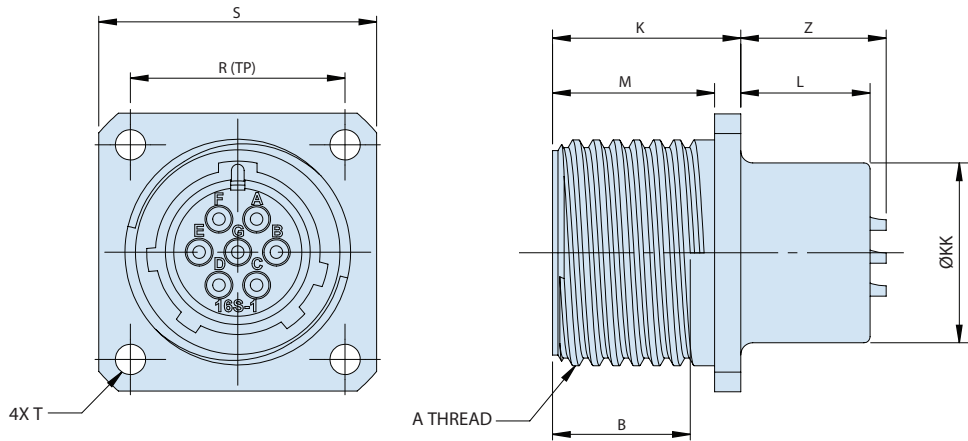
-05 - CABLE CONNECTING RECEPTACLE (MS17343)



Shell Size	A Thread Class 2A 0.1P-0.2L Double Stub	B +.016 -.000	K +.021 -.020	S +.021 -.020	DD ± .010	Z Max	V Thread Class 2A-LH
12	.8750 (22.23)	.688 (17.48)	.938 (23.83)	1.000 (25.40)	.641 (16.28)	.726 (18.44)	.750-20 UNEF
14	1.0000 (25.40)	.688 (17.48)	.938 (23.83)	1.094 (27.79)	.641 (16.28)	.726 (18.44)	.875-20 UNEF
16	1.1250 (28.58)	.688 (17.48)	.938 (23.83)	1.281 (32.54)	.641 (16.28)	.726 (18.44)	1.000-20 UNEF
18	1.2500 (31.75)	.703 (17.86)	.953 (24.21)	1.375 (34.93)	.625 (15.88)	.711 (18.06)	1.125-18 UNEF
20	1.3750 (34.93)	.703 (17.86)	.953 (24.21)	1.500 (38.10)	.625 (15.88)	.711 (18.06)	1.250-18 UNEF
22	1.5000 (38.10)	.703 (17.86)	.953 (24.21)	1.625 (41.28)	.625 (15.88)	.711 (18.06)	1.375-18 UNEF
24	1.7500 (44.45)	.766 (19.46)	1.016 (25.81)	1.875 (47.63)	.625 (15.88)	.648 (16.46)	1.625-18 UNEF
28	2.0000 (50.80)	.766 (19.46)	1.016 (25.81)	2.125 (53.98)	.625 (15.88)	.648 (16.46)	1.875-16 UN
32	2.2500 (57.15)	.703 (17.86)	1.078 (27.38)	2.375 (60.33)	.563 (14.30)	.576 (14.63)	2.0625-16 UN
36	2.5000 (63.50)	.703 (17.86)	1.078 (27.38)	2.625 (66.68)	.563 (14.30)	.576 (14.63)	2.3125-16 UN
40	2.7500 (69.85)	.703 (17.86)	1.078 (27.38)	3.000 (76.20)	.703 (17.86)	.576 (14.63)	2.625-16 UN
44	3.0000 (76.20)	.703 (17.86)	1.078 (27.38)	3.250 (82.55)	.703 (17.86)	.797 (20.24)	2.875-16 UN

253-600-02 Box Mount Receptacle

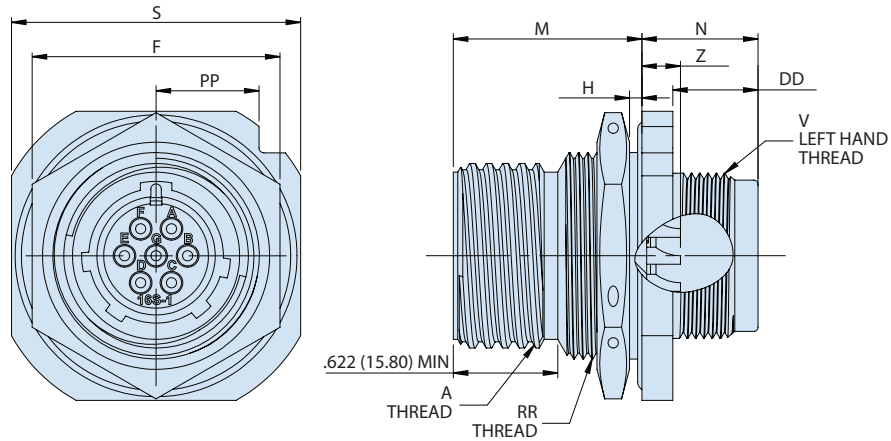
-02 - BOX MOUNT RECEPTACLE (MS17343)



Shell Size	A Thread Class 2A 0.1P-0.2L Double Stub	B Min Full Thd	K +.021 -.010	M +.010 -.000	R (TP)	S +.021 -.020	T Dia ±.005	KK +.011 -.010	Z Max	L +.020 -.030
12	.8750 (22.23)	.672 (17.07)	.938 (23.83)	.797 (20.24)	.906 (23.01)	1.188 (30.18)	.150 (3.81)	.640 (16.26)	.738 (18.75)	.640 (16.26)
14	1.0000 (25.40)	.672 (17.07)	.937 (23.80)	.797 (20.24)	.969 (24.61)	1.281 (32.54)	.150 (3.81)	.765 (19.43)	.738 (18.75)	.640 (16.26)
16	1.1250 (28.58)	.672 (17.07)	.937 (23.80)	.797 (20.24)	1.062 (26.97)	1.375 (34.93)	.150 (3.81)	.890 (22.61)	.738 (18.75)	.640 (16.26)
18	1.2500 (31.75)	.672 (17.07)	.937 (23.80)	.797 (20.24)	1.156 (29.36)	1.500 (38.10)	.177 (4.50)	1.015 (25.78)	.723 (18.36)	.625 (15.88)
20	1.3750 (34.93)	.672 (17.07)	.937 (23.80)	.797 (20.24)	1.250 (31.75)	1.625 (41.28)	.177 (4.50)	1.171 (29.74)	.723 (18.36)	.625 (15.88)
22	1.5000 (38.10)	.672 (17.07)	.937 (23.80)	.797 (20.24)	1.375 (34.93)	1.750 (44.45)	.177 (4.50)	1.296 (32.92)	.723 (18.36)	.625 (15.88)
24	1.7500 (44.45)	.672 (17.07)	1.047 (26.59)	.859 (21.82)	1.562 (39.67)	2.000 (50.80)	.177 (4.50)	1.421 (36.09)	.660 (16.76)	.594 (15.09)
28	2.0000 (50.80)	.672 (17.07)	1.047 (26.59)	.859 (21.82)	1.750 (44.45)	2.250 (57.15)	.177 (4.50)	1.625 (41.28)	.660 (16.76)	.594 (15.09)
32	2.2500 (57.15)	.672 (17.07)	1.110 (28.19)	.922 (23.42)	1.938 (49.23)	2.500 (63.50)	.209 (5.31)	1.891 (48.03)	.540 (13.72)	.531 (13.49)
36	2.5000 (63.50)	.672 (17.07)	1.110 (28.19)	.922 (23.42)	2.188 (55.58)	2.750 (69.85)	.209 (5.31)	2.078 (52.78)	.540 (13.72)	.531 (13.49)
40	2.7500 (69.85)	.672 (17.07)	1.110 (28.19)	.922 (23.42)	2.375 (60.33)	3.000 (76.20)	.209 (5.31)	2.312 (58.72)	.540 (13.72)	.531 (13.49)
44	3.0000 (76.20)	.672 (17.07)	1.110 (28.19)	.922 (23.42)	2.625 (66.68)	3.250 (82.55)	.209 (5.31)	2.562 (65.07)	.540 (13.72)	.531 (13.49)

253-600-07 Jam Nut Receptacle, Wall Mount

-07 - JAM NUT RECEPTACLE, WALL MOUNT (MS17343)

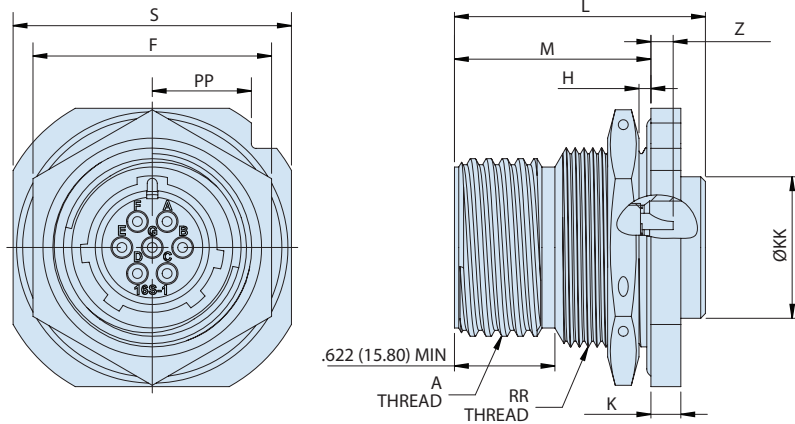


Shell Size	A Thread Class 2A 0.1P-0.2L Double Stub	RR Thread Class 2A	N +.021 -.020	M ± .010	F Hex +.017 -.016	S +.011 -.010	H Panel Thickness		V Thread Class 2A-LH	DD ± .010	PP +.011 -.010	Z Max
							Min	Max				
12	.8750 (22.23)	1.000-20 UNEF	.641 (16.28)	1.141 (28.98)	1.250 (31.75)	1.375 (34.93)	.094 (2.39)	.188 (4.78)	.750-20 UNEF	.516 (13.11)	.486 (12.34)	.523 (13.28)
14	1.0000 (25.40)	1.125-18 UNEF	.641 (16.28)	1.141 (28.98)	1.312 (33.32)	1.500 (38.10)	.094 (2.39)	.188 (4.78)	.875-20 UNEF	.516 (13.11)	.530 (13.46)	.523 (13.28)
16	1.1250 (28.58)	1.250-18 UNEF	.703 (17.86)	1.141 (28.98)	1.500 (38.10)	1.750 (44.45)	.094 (2.39)	.188 (4.78)	1.000-20 UNEF	.516 (13.11)	.623 (15.82)	.523 (13.28)
18	1.2500 (31.75)	1.375-18 UNEF	.703 (17.86)	1.156 (29.36)	1.562 (39.67)	1.875 (47.63)	.094 (2.39)	.203 (5.16)	1.125-18 UNEF	.516 (13.11)	.663 (16.84)	.508 (12.90)
20	1.3750 (34.93)	1.500-18 UNEF	.703 (17.86)	1.156 (29.36)	1.750 (44.45)	2.000 (50.80)	.094 (2.39)	.203 (5.16)	1.250-18 UNEF	.516 (13.11)	.707 (17.96)	.508 (12.90)
22	1.5000 (38.10)	1.625-18 UNEF	.703 (17.86)	1.156 (29.36)	1.875 (47.63)	2.125 (53.98)	.094 (2.39)	.203 (5.16)	1.375-18 UNEF	.516 (13.11)	.751 (19.08)	.508 (12.90)
24	1.7500 (44.45)	1.875-16 UN	.703 (17.86)	1.219 (30.96)	2.125 (53.98)	2.375 (60.33)	.094 (2.39)	.265 (6.73)	1.625-18 UNEF	.516 (13.11)	.840 (21.34)	.455 (11.56)
28	2.0000 (50.80)	2.125-16 UN	.785 (19.94)	1.231 (31.27)	2.375 (60.33)	2.625 (66.68)	.094 (2.39)	.277 (7.04)	1.875-16 UN	.516 (13.11)	.928 (23.57)	.433 (11.00)
32	2.2500 (57.15)	2.375-16 UN	.785 (19.94)	1.231 (31.27)	2.625 (66.68)	2.875 (73.03)	.094 (2.39)	.215 (5.46)	2.0625-16 UN	.516 (13.11)	1.017 (25.83)	.433 (11.00)
36	2.5000 (63.50)	2.625-16 UN	.785 (19.94)	1.231 (31.27)	2.875 (73.03)	3.125 (79.38)	.094 (2.39)	.215 (5.46)	2.3125-16 UN	.516 (13.11)	1.104 (28.04)	.433 (11.00)
40	2.7500 (69.85)	2.875-16 UN	.972 (24.69)	1.231 (31.27)	3.125 (79.38)	3.406 (86.51)	.094 (2.39)	.215 (5.46)	2.625-16 UN	.703 (17.86)	1.213 (30.81)	.433 (11.00)
44	3.0000 (76.20)	3.125-16 UN	.972 (24.69)	1.231 (31.27)	3.375 (85.73)	3.656 (92.86)	.094 (2.39)	.215 (5.46)	2.875-16 UN	.703 (17.86)	1.299 (32.99)	.656 (16.66)

MOUNTING DIMENSIONS			
Shell Size	A ±.005	B ±.003	C +.005 -.000
12	.688 (17.48)	.562 (14.27)	1.005 (25.53)
14	.750 (19.05)	.606 (15.39)	1.130 (28.70)
16	.875 (22.23)	.699 (17.75)	1.255 (31.88)
18	.938 (23.83)	.739 (18.77)	1.380 (35.05)
20	1.000 (25.40)	.783 (19.89)	1.505 (38.23)
22	1.062 (26.97)	.830 (21.08)	1.630 (41.40)
24	1.188 (30.18)	.919 (23.34)	1.880 (47.75)
28	1.312 (33.32)	1.007 (25.58)	2.130 (54.10)
32	1.438 (36.53)	1.096 (27.84)	2.380 (60.45)
36	1.562 (39.67)	1.183 (30.05)	2.630 (66.80)
40	1.703 (43.26)	1.292 (32.82)	2.880 (73.15)
44	NA	NA	NA

253-600-08 Jam Nut Receptacle, Box Mount

-08 - JAM NUT RECEPTACLE, BOX MOUNT (MS17348)



Shell Size	A Thread Class 2A 0.1P-0.2L Double Stub	RR Thread Class 2A	K +.006 -.005	M .010	F Hex +.017 -.016	S +.011 -.010	H Panel Thickness		KK +.011 -.010	PP +.011 -.010	L +.011 -.010	Z Max
							Min	Max				
12	.8750 (22.23)	1.000-20 UNEF	.125 (3.18)	1.235 (31.37)	1.250 (31.75)	1.375 (34.93)	.094 (2.39)	.297 (7.54)	.640 (16.26)	.486 (12.34)	1.578 (40.08)	.429 (10.90)
14	1.0000 (25.40)	1.125-18 UNEF	.125 (3.18)	1.235 (31.37)	1.312 (33.32)	1.500 (38.10)	.094 (2.39)	.297 (7.54)	.765 (19.43)	.530 (13.46)	1.578 (40.08)	.429 (10.90)
16	1.1250 (28.58)	1.250-18 UNEF	.188 (4.78)	1.235 (31.37)	1.500 (38.10)	1.750 (44.45)	.094 (2.39)	.297 (7.54)	.890 (22.61)	.623 (15.82)	1.578 (40.08)	.461 (11.71)
18	1.2500 (31.75)	1.375-18 UNEF	.188 (4.78)	1.203 (30.56)	1.562 (39.67)	1.875 (47.63)	.094 (2.39)	.266 (6.76)	1.015 (25.78)	.663 (16.84)	1.578 (40.08)	.461 (11.71)
20	1.3750 (34.93)	1.500-18 UNEF	.188 (4.78)	1.203 (30.56)	1.750 (44.45)	2.000 (50.80)	.094 (2.39)	.266 (6.76)	1.171 (29.74)	.707 (17.96)	1.578 (40.08)	.461 (11.71)
22	1.5000 (38.10)	1.625-18 UNEF	.188 (4.78)	1.203 (30.56)	1.875 (47.63)	2.125 (53.98)	.094 (2.39)	.266 (6.76)	1.296 (32.92)	.751 (19.08)	1.578 (40.08)	.461 (11.71)
24	1.7500 (44.45)	1.875-16 UN	.188 (4.78)	1.266 (32.16)	2.125 (53.98)	2.375 (60.33)	.094 (2.39)	.328 (8.33)	1.421 (36.09)	.840 (21.34)	1.641 (41.68)	.398 (10.11)
28	2.0000 (50.80)	2.125-16 UN	.219 (5.56)	1.329 (33.76)	2.375 (60.33)	2.625 (66.68)	.094 (2.39)	.328 (8.33)	1.625 (41.28)	.928 (23.57)	1.641 (41.68)	.335 (8.51)
32	2.2500 (57.15)	2.375-16 UN	.219 (5.56)	1.329 (33.76)	2.625 (66.68)	2.875 (73.03)	.094 (2.39)	.328 (8.33)	1.891 (48.03)	1.017 (25.83)	1.641 (41.68)	.335 (8.51)
36	2.5000 (63.50)	2.625-16 UN	.219 (5.56)	1.329 (33.76)	2.875 (73.03)	3.125 (79.38)	.094 (2.39)	.328 (8.33)	2.078 (52.78)	1.104 (28.04)	1.641 (41.68)	.335 (8.51)
40	2.7500 (69.85)	2.875-16 UN	.219 (5.56)	1.329 (33.76)	3.125 (79.38)	3.406 (86.51)	.094 (2.39)	.328 (8.33)	2.312 (58.72)	1.213 (30.81)	1.641 (41.68)	.335 (8.51)
44	3.0000 (76.20)	3.125-16 UN	.219 (5.56)	1.329 (33.76)	3.375 (85.73)	3.656 (92.86)	.094 (2.39)	.328 (8.33)	2.562 (65.07)	1.299 (32.99)	1.641 (41.68)	.562 (14.27)

MOUNTING DIMENSIONS

Shell Size	A ±.005	B ±.003	C +.005 -.000
12	.688 (17.48)	.562 (14.27)	1.005 (25.53)
14	.750 (19.05)	.606 (15.39)	1.130 (28.70)
16	.875 (22.23)	.699 (17.75)	1.255 (31.88)
18	.938 (23.83)	.739 (18.77)	1.380 (35.05)
20	1.000 (25.40)	.783 (19.89)	1.505 (38.23)
22	1.062 (26.97)	.830 (21.08)	1.630 (41.40)
24	1.188 (30.18)	.919 (23.34)	1.880 (47.75)
28	1.312 (33.32)	1.007 (25.58)	2.130 (54.10)
32	1.438 (36.53)	1.096 (27.84)	2.380 (60.45)
36	1.562 (39.67)	1.183 (30.05)	2.630 (66.80)
40	1.703 (43.26)	1.292 (32.82)	2.880 (73.15)
44	NA	NA	NA