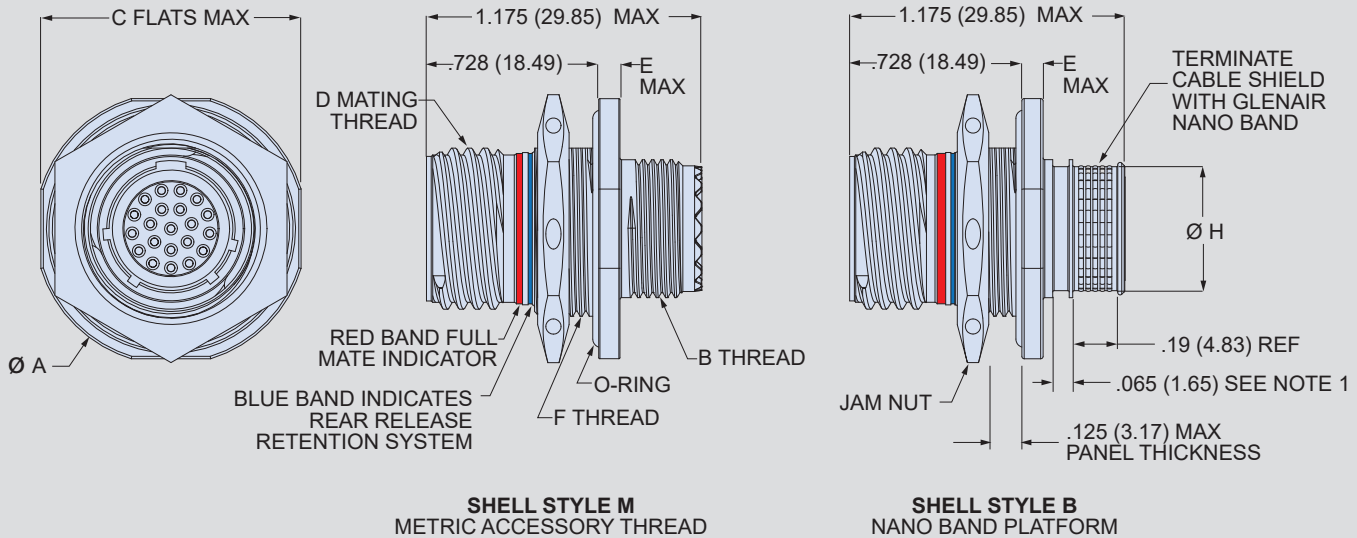
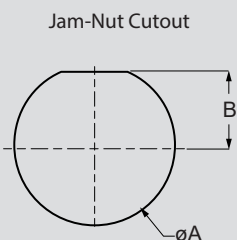


ENVIRONMENTAL, MICRO MINIATURE CIRCULAR
Series 806
Mil-Aero Connectors
806-020 Jam-nut Receptacle Connectors



806-020 Receptacle Dimensions							
Shell Size	øA Max	B Thread	C Max	D Mating Thread	E Max	F Thread	øH
7	.918 (23.32)	M8x1.0-6g-0.100R	.858 (21.79)	.5000-.067P-.2L-TS-2A	.100 (2.54)	M13x1.0-6g-0.100R	.265 (6.73)
8	.980 (24.89)	M10x1.0-6g-0.100R	.920 (23.37)	.5000-.067P-.2L-TS-2A	.100 (2.54)	M15x1.0-6g-0.100R	.327 (8.31)
9	1.040 (26.42)	M12x1.0-6g-0.100R	.980 (24.89)	.5625-.067P-.2L-TS-2A	.100 (2.54)	M16x1.0-6g-0.100R	.406 (10.31)
10	1.110 (28.19)	M14x1.0-6g-0.100R	1.050 (26.67)	.6250-.067P-.2L-TS-2A	.100 (2.54)	M18x1.0-6g-0.100R	.484 (12.29)
11	1.160 (29.46)	M15x1.0-6g-0.100R	1.110 (28.19)	.6875-.067P-.2L-TS-2A	.100 (2.54)	M19x1.0-6g-0.100R	.524 (13.31)
12	1.230 (31.24)	M17x1.0-6g-0.100R	1.170 (29.72)	.7500-.067P-.2L-TS-2A	.100 (2.54)	M21x1.0-6g-0.100R	.603 (15.32)
14	1.360 (34.54)	M19x1.0-6g-0.100R	1.320 (33.53)	.8750-.067P-.2L-TS-2A	.100 (2.54)	M24x1.0-6g-0.100R	.681 (17.30)
16	1.515 (38.48)	M22x1.0-6g-0.100R	1.444 (36.68)	1.0000-.067P-.2L-TS-2A	.100 (2.54)	M27x1.0-6g-0.100R	.782 (19.86)
18	1.610 (40.89)	M25x1.0-6g-0.100R	1.570 (39.88)	1.1250-.067P-.2L-TS-2A	.100 (2.54)	M30x1.0-6g-0.100R	.899 (22.83)
20	1.850 (46.99)	M28x1.0-6g-0.100R	1.760 (44.70)	1.2500-.067P-.2L-TS-2A	.128 (3.25)	M34x1.0-6g-0.100R	1.043 (26.49)
22	2.010 (51.05)	M31x1.0-6g-0.100R	1.913 (48.59)	1.3750-.067P-.2L-TS-2A	.128 (3.25)	M37x1.0-6g-0.100R	1.155 (29.34)
24	2.195 (55.75)	M34x1.0-6g-0.100R	2.070 (52.58)	1.5000-.067P-.2L-TS-2A	.128 (3.25)	M41x1.0-6g-0.100R	1.273 (32.33)



806-020 Jam-nut D-Hole Dimensions		
Shell Size	øA +.005/-0.00 (+.013/-0.00)	B +.005/-0.00 (+.013/-0.00)
7	.522 (13.26)	.224 (5.69)
8	.601 (15.27)	.256 (6.50)
9	.640 (16.26)	.287 (7.29)
10	.719 (18.26)	.318 (8.08)
11	.759 (19.28)	.350 (8.89)
12	.837 (21.26)	.381 (9.68)
14	.955 (24.26)	.443 (11.25)
16	1.073 (27.25)	.505 (12.83)
18	1.192 (30.28)	.568 (14.43)
20	1.349 (34.26)	.630 (16.00)
22	1.467 (37.26)	.693 (17.60)
24	1.624 (41.25)	.755 (19.18)

NOTES:

1. Boot groove for use with 809-463 Thermo-Rex Autoshrink boots
2. Terminate shield with Glenair Band-Master ATS tool 601-108 and Glenair Nanoband
3. High temperature crown ring pin and socket contacts required to meet higher operating temps