



SERIES 804 QDC PUSH-PULL Mighty Mouse Connectors and Cables



PCB Receptacle with PC Tails or Solder Cup Contacts and Ground Pins



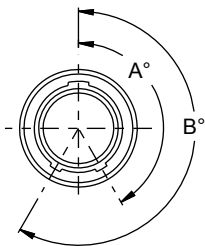
Series 804 PC Tail or Solder Cup Contact Receptacle with Ground Pins

Connector features copper alloy, gold plated PC tails or solder cup contacts. Ground pins are pressed into the shell body to provide a direct grounding path from the connector shell to the PCB board creating a common ground path for the connector, the panel it is mounted against, and printed circuit board. "Push-Pull" quick-disconnect canted coil spring securely retains mating plug connector and provides low shell-to-shell resistance for excellent EMI shielding. O-ring inside receptacle shell provides water-tight seal when mated. Two shell styles available — rear panel mount jam-nut or front panel mount jam-nut available. PC tail contacts for attachment to flex or rigid circuit boards. Choose solder cups for connections between devices, PCB's and discrete instruments

How To Order

Sample Part Number	804-032	-07	M	6-4	P	A
Series	804-032 = PCB Receptacle with PC Tail or Solder Cup Contacts					
Shell Style	-00 = Jam-Nut, Front Panel Mount -07 = Jam-Nut, Rear Panel Mount					
Material and Finish	C = Black Anodize M = Aluminum / Electroless Nickel NF = Aluminum / Cadmium with Olive Drab Chromate ZN = Aluminum / Zinc-Nickel Olive Drab over Electroless Nickel					
Shell Size - Insert Arrangement	See Contact Arrangements page E-7					
Contact Type	P = Pin, PC Tail E = Pin, Solder Cup S = Socket, PC Tail F = Socket, Solder Cup					
Polarization (See Table I)	A = Normal B = Pos. B C = Pos. C D = Pos. D E = Pos. E F = Pos. F Omit character for single keyway (non-polarized)					

Table I: Keyway Positions

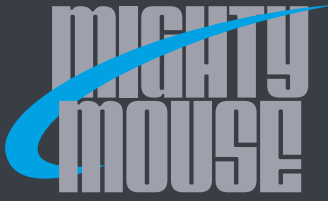


Position	A°	B°
A	150°	210°
B	75°	210°
C	95°	230°
D	140°	275°
E	75°	275°
F	95°	210°

NOTES

1. Contacts are non removable, the connector is back potted
2. This receptacle connector mates with all quick coupling high density plug connectors with same polarization and opposite contact gender (804-001, 804-002)
3. See page H-9 for panel cut-out dimensions
4. Material / finish:
 - Shell, jam-nut: aluminum alloy or CRES / N.A.
 - Insulator: high-grade rigid dielectric
 - Interfacial seal, O-ring: fluorosilicone
 - Contact, ground pins: copper alloy / gold plate per ASTM B 488, Type II, Code C, Class 1.25 (.00005 minimum thickness), over a suitable underplate
 - Potting compound: epoxy / N.A.

SERIES 804 QDC PUSH-PULL

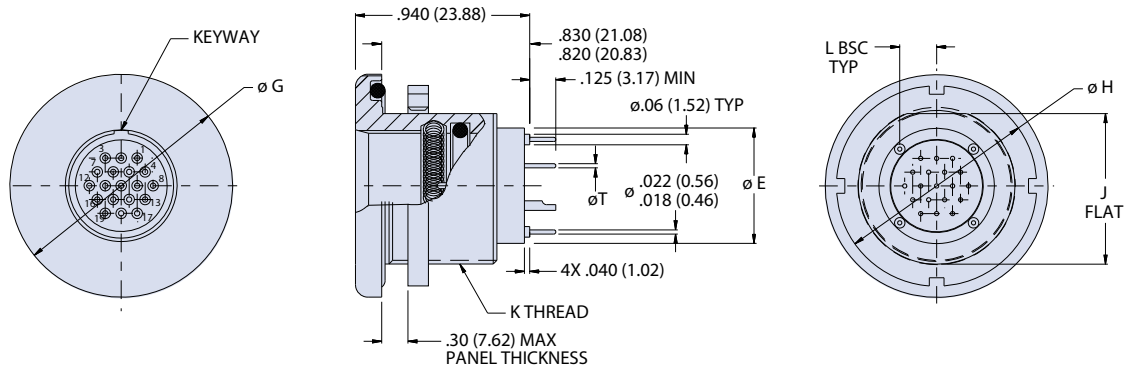


SERIES 804 QDC PUSH-PULL
Mighty Mouse Connectors and Cables



PCB Receptacle with PC Tails or Solder Cup
Contacts and Ground Pins

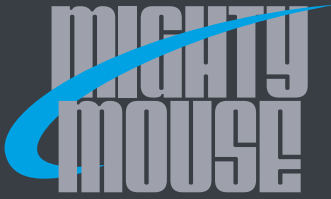
JAM-NUT, FRONT PANEL MOUNT RECEPTACLE - STYLE 00



Dimensions						
SHELL SIZE	ø E	ø G	ø H	J FLAT	K THREAD	L BSC
5	0.336 (8.53)	0.830 (21.08)	0.625 (15.88)	0.470 (11.94)	.5000-32 UN-2A	0.087 (2.21)
6	0.398 (10.11)	0.885 (22.48)	0.688 (17.48)	0.530 (13.46)	.5625-28 UN-2A	0.109 (2.77)
7	0.486 (12.34)	0.995 (25.27)	0.812 (20.62)	0.663 (16.84)	.6875-28 UN-2A	0.147 (3.73)
8	0.548 (13.92)	0.995 (25.27)	0.812 (20.62)	0.663 (16.84)	.6875-28 UN-2A	0.165 (4.19)
9	0.606 (15.39)	1.075 (27.30)	0.875 (22.23)	0.720 (18.29)	.7500-28 UN-2A	0.186 (4.72)
10	0.675 (17.15)	1.140 (28.96)	0.938 (23.83)	0.788 (20.02)	.8125-28 UN-2A	0.210 (5.33)
11	0.717 (18.21)	1.190 (30.23)	1.000 (25.40)	0.843 (21.41)	.8750-28 UN-2A	0.222 (5.64)
12	0.758 (19.25)	1.340 (34.04)	1.125 (28.58)	0.970 (24.64)	1.000-28 UN-2A	0.239 (6.07)
14	0.918 (23.32)	1.390 (35.31)	1.162 (29.51)	1.020 (25.91)	1.062-20 UN-2A	0.296 (7.52)

PC Tail Diameters	
Contact Size	ØT
#23	.022 (0.56)
	.018 (0.46)
#20	.028 (0.71)
	.024 (0.61)
#16	.064 (1.63)
	.060 (1.52)
#12	.096 (2.44)
	.092 (2.34)

SERIES 804 QDC PUSH-PULL

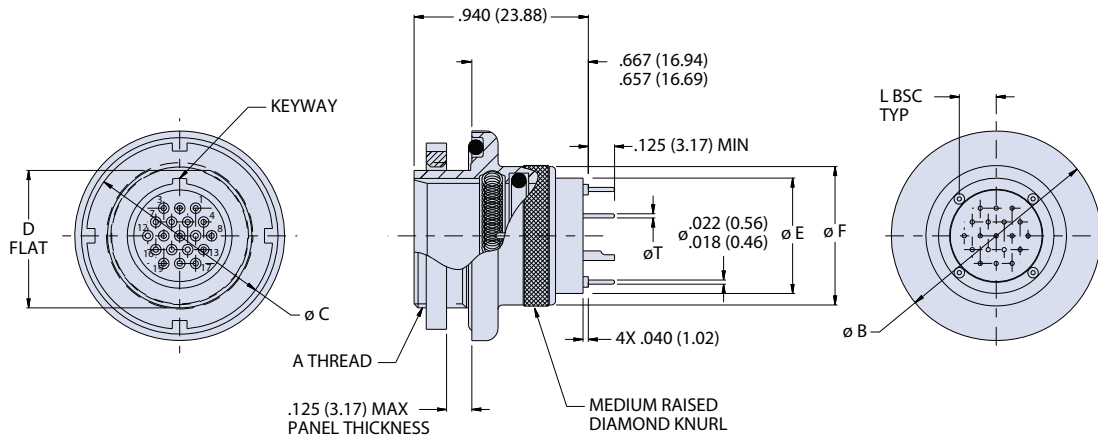


SERIES 804 QDC PUSH-PULL
Mighty Mouse Connectors and Cables



PCB Receptacle with PC Tails or Solder Cup
Contacts and Ground Pins

JAM-NUT, REAR PANEL MOUNT RECEPTACLE - STYLE 07



Dimensions							
SHELL SIZE	A THREAD	ø B	ø C	D FLAT	ø E	ø F	L BSC
5	.4375-32 UN-2A	0.730 (18.54)	0.562 (14.27)	0.415 (10.54)	0.336 (8.53)	0.435 (11.05)	0.087 (2.21)
6	.5000-32 UN-2A	0.730 (18.54)	0.625 (15.88)	0.467 (11.86)	0.398 (10.11)	0.483 (12.27)	0.109 (2.77)
7	.6250-28 UN-2A	0.910 (23.11)	0.750 (19.05)	0.594 (15.09)	0.486 (12.34)	0.570 (14.48)	0.147 (3.73)
8	.6250-28 UN-2A	0.955 (24.26)	0.750 (19.05)	0.594 (15.09)	0.548 (13.92)	0.593 (15.06)	0.165 (4.19)
9	.6875-28 UN-2A	1.000 (25.40)	0.812 (20.62)	0.655 (16.64)	0.606 (15.39)	0.685 (17.40)	0.186 (4.72)
10	.7500-28 UN-2A	1.085 (27.56)	0.875 (22.23)	0.721 (18.31)	0.675 (17.15)	0.725 (18.42)	0.210 (5.33)
11	.8125-28 UN-2A	1.135 (28.83)	0.938 (23.83)	0.788 (20.02)	0.717 (18.21)	0.810 (20.57)	0.222 (5.64)
12	.8750-28 UN-2A	1.190 (30.23)	1.000 (25.40)	0.843 (21.41)	0.758 (19.25)	0.880 (22.35)	0.239 (6.07)
14	1.0000-28 UN-2A	1.325 (33.65)	1.125 (28.58)	0.968 (24.59)	0.918 (23.32)	0.973 (24.71)	0.296 (7.52)

PC Tail Diameters	
Contact Size	ØT
#23	.022 (0.56)
	.018 (0.46)
#20	.028 (0.71)
	.024 (0.61)
#16	.064 (1.63)
	.060 (1.52)
#12	.096 (2.44)
	.092 (2.34)

SERIES 804 QDC PUSH-PULL