



SERIES 800 UN THREAD MATING Mighty Mouse Connectors and Cables



Right-Angle Jam-Nut Receptacle with PC Tails



Printed Circuit Board Right Angle I/O Header features gold-plated size #23 contacts. UN mating thread, and aluminum or stainless steel shells. Rubber seal protects mated connectors from water ingress. 5 amp current rating, 500 VAC voltage rating. Contacts are factory-installed and are non-removable. Thermoplastic rear housing has #2-56 threaded inserts for attaching to circuit board with customer-supplied mounting screws. Connectors attach to chassis or panel with low-profile jam-nut and O-ring. Available in six contact arrangements, these right angle headers are ideal for hostile environments where 100/100BASE-T Ethernet RJ-45 commercial-grade jacks are not advised.

How To Order	
Sample Part Number	800-032 -07 M 7-10 P Z
Series	800-032 PCB Receptacle
Shell Style	-07 = Jam-Nut
Shell Material and Finish	C = Aluminum / Black Anodize (Non-Conductive) M = Aluminum / Electroless Nickel NF = Aluminum / Cadmium with Olive Drab Chromate ZNU = Aluminum / Zinc-Nickel with Black Chromate MT = Aluminum / Nickel-PTFE Z1 = Stainless Steel / Passivated
Shell Size - Insert Arrangement	5-3, 6-1, 6-4, 6-6, 6-7, 7-1, 7-10, 8-2, 8-13, 9-4, 9-19, 9-200, 10-2, 10-5, 10-201
Contact Type	P = Pin, PC Tail S = Socket, PC Tail
Shell Key Position (See Table I)	N = Normal X = Pos. X Y = Pos. Y Z = Pos. Z

Table II: Shell Key Positions ^{1,2}	
Shell Size 5, 6 and insert arrangement 8-2	Shell Size 7, 9, 10 and insert arrangement 8-13
Key Position	Key Rotation
N Normal	150°
X	140°
Y	130°
Z	120°

Shell sizes 5 and 6 and insert arrangement 8-13: master key is located at top dead center for normal (N) position. Shell size 7, 8, 9, 10 and insert arrangement 8-2: master key is rotated 90° from TDC for normal position

NOTES

- Material / finish:
 - Receptacle shell, jam-nut: aluminum alloy or CRES / see How to Order Table
 - Insulator: High Grade Rigid Dielectric / N.A.
 - Interfacial seal, O-ring: fluorosilicone
 - Contact: copper alloy / gold plate per ASTM B 488, Type II, Class 1.25, over a suitable underplate
 - Potting: epoxy

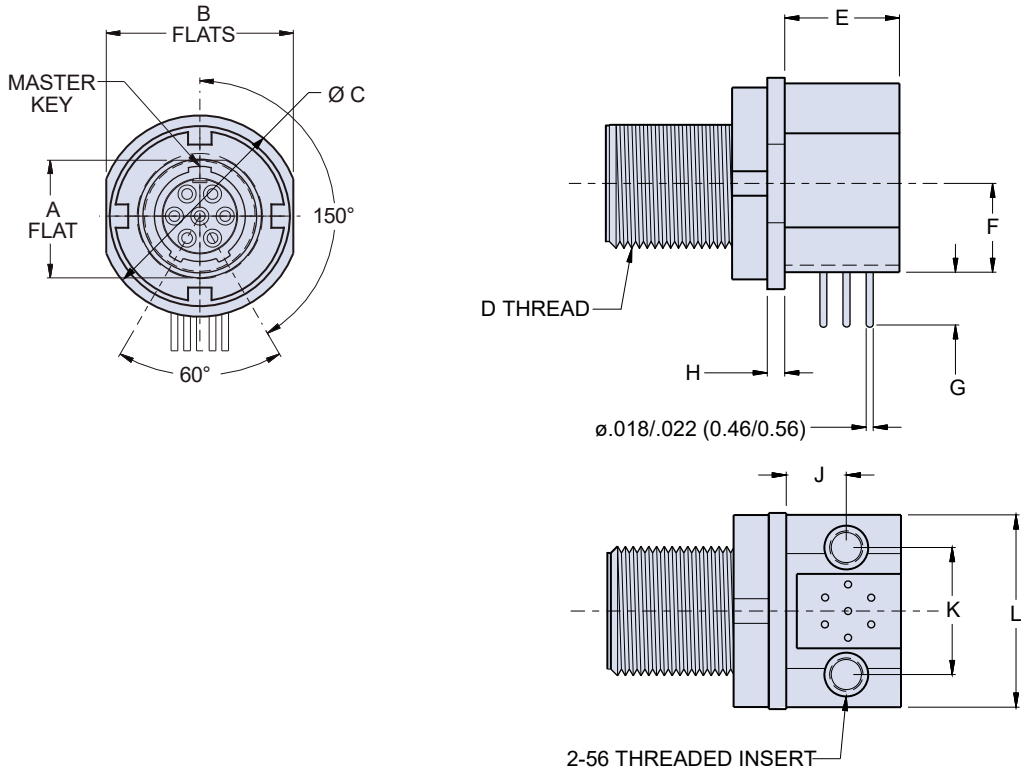
SERIES 800 UN THREAD MATING



SERIES 800 UN THREAD MATING
Mighty Mouse Connectors and Cables
**Right-Angle Jam-Nut Receptacle
 with PC Tails**

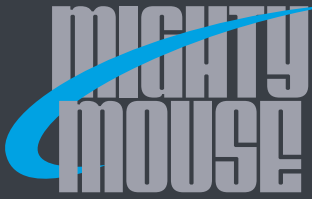


RIGHT-ANGLE JAM-NUT MOUNT PCB RECEPTACLE - SHELL STYLE 07



Size - Arr	Dimensions										
	A Flat ±.005 (±0.13)	B Flat	Ø C	D Threads	E	F	G ±.035 (±0.89)	H ±.005 (±0.13)	J	K	L
5-3	.282 (7.16) .291 (7.39)	.497 (12.62)	.538 (13.67)	.3125-28 UN-2A	.260 (6.60)	.235 (5.97)	.257 (6.53)	.050 (1.27)	.165 (4.19)	.310 (7.87)	.49 (12.45)
6-1	.350 (8.89) .359 (9.12)	.559 (14.20)	.602 (15.29)	.3750-28 UN-2A	.350 (8.89)	.225 (5.72)	.285 (7.24)	.050 (1.27)	.224 (5.69)	.385 (9.78)	.58 (14.73)
6-4		.559 (14.20)	.602 (15.29)	.3750-28 UN-2A	.330 (8.38)	.225 (5.72)	.285 (7.24)	.050 (1.27)	.224 (5.69)	.385 (9.78)	.58 (14.73)
6-6,6-7		.559 (14.20)	.602 (15.29)	.3750-28 UN-2A	.350 (8.89)	.225 (5.72)	.285 (7.24)	.050 (1.27)	.187 (4.75)	.408 (10.36)	.58 (14.73)
7-1	.409 (10.39)	.643 (16.33)	.664 (16.87)	.4375-28 UNEF-2A	.350 (8.89)	.296 (7.52)	.200 (5.08)	.092 (2.34)	.170 (4.32)	.452 (11.48)	.71 (18.03)
7-10	.418 (10.62)	.643 (16.33)	.664 (16.87)	.4375-28 UNEF-2A	.350 (8.89)	.296 (7.52)	.274 (6.96)	.092 (2.34)	.170 (4.32)	.452 (11.48)	.71 (18.03)
8-2	.471 (11.96)	.731 (18.57)	.770 (19.56)	.5000-28 UN-2A	.490 (12.45)	.320 (8.13)	.336 (8.53)	.092 (2.34)	.230 (5.84)	.490 (12.45)	.71 (18.03)
8-13	.480 (12.19)	.731 (18.57)	.770 (19.56)	.5000-32 UN-2A	.490 (12.45)	.320 (8.13)	.315 (8.00)	.092 (2.34)	.230 (5.84)	.490 (12.45)	.71 (18.03)
9-4	.528 (13.41) .537 (13.64)	.803 (20.40)	.872 (22.15)	.5625-28 UN-2A	.490 (12.45)	.362 (9.19)	.288 (7.32)	.092 (2.34)	.342 (8.69)	.600 (15.24)	.80 (20.32)
9-19		.803 (20.40)	.872 (22.15)	.5625-32 UN-2A	.490 (12.45)	.362 (9.19)	.283 (7.19)	.092 (2.34)	.342 (8.69)	.600 (15.24)	.80 (20.32)
9-200		.803 (20.40)	.872 (22.15)	.5625-28 UN-2A	.490 (12.45)	.362 (9.19)	.240 (6.10)	.092 (2.34)	.342 (8.69)	.600 (15.24)	.80 (20.32)
10-2	.602 (15.29) .611 (15.52)	.940 (23.88)	.976 (24.79)	.6250-28 UN-2A	.570 (14.48)	.397 (10.08)	.272 (6.91)	.092 (2.34)	.362 (9.19)	.640 (16.26)	.84 (21.34)
10-5		.940 (23.88)	.976 (24.79)	.6250-28 UN-2A	.570 (14.48)	.397 (10.08)	.305 (7.75)	.092 (2.34)	.362 (9.19)	.640 (16.26)	.84 (21.34)
10-201		.940 (23.88)	.976 (24.79)	.6250-28 UN-2A	.570 (14.48)	.397 (10.08)	.272 (6.91)	.092 (2.34)	.362 (9.19)	.640 (16.26)	.84 (21.34)

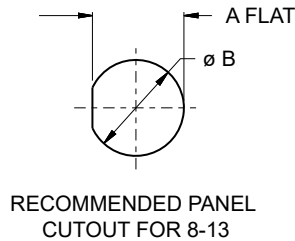
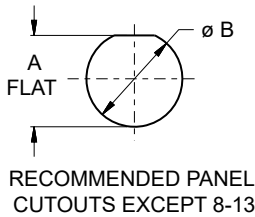
SERIES 800 UN THREAD MATING



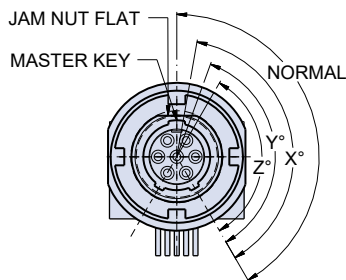
SERIES 800 UN THREAD MATING
Mighty Mouse Connectors and Cables
 Right-Angle Jam-Nut Receptacle
 with PC Tails



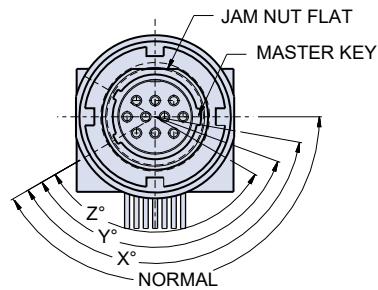
Panel Cutouts for Right Angle PCB Headers		
Shell Size	A Flat +.004 +.000	øB ±.005
5	.292 (7.42)	.322 (8.18)
6	.358 (9.09)	.385 (9.78)
7-1	.417 (10.59)	.447 (11.35)
7-10	.417 (10.59)	.479 (12.17)
8	.479 (12.17)	.510 (12.95)
9	.536 (13.61)	.572 (14.53)
10	.610 (15.49)	.635 (16.13)



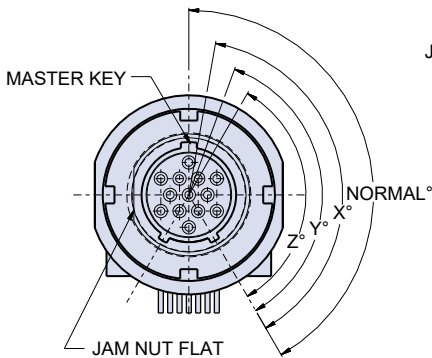
SAMPLE KEYWAY POSITIONS FOR RIGHT ANGLE PCB HEADERS



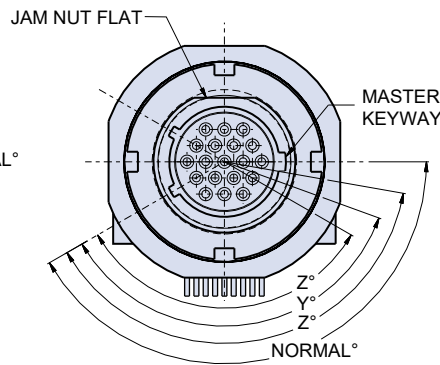
JAM NUT FLAT AND KEYWAY LOCATIONS
 SHELL SIZE 5 AND 6
 SOCKET FACE SHOWN



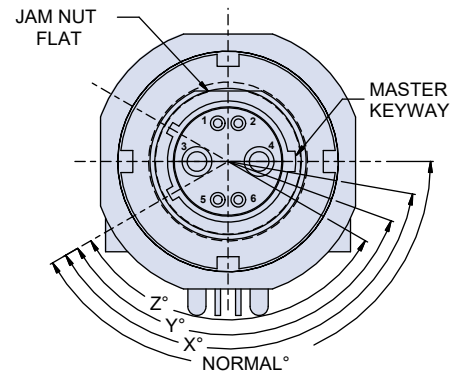
JAM NUT FLAT AND KEYWAY LOCATIONS
 SHELL SIZE 7
 SOCKET FACE SHOWN



JAM NUT FLAT AND KEYWAY LOCATIONS
 SHELL SIZE 8
 SOCKET FACE SHOWN



JAM NUT FLAT AND KEYWAY LOCATIONS
 SHELL SIZE 9
 SOCKET FACE SHOWN



JAM NUT FLAT AND KEYWAY LOCATIONS
 SHELL SIZE 10
 SOCKET FACE SHOWN

SERIES 800 UN THREAD MATING

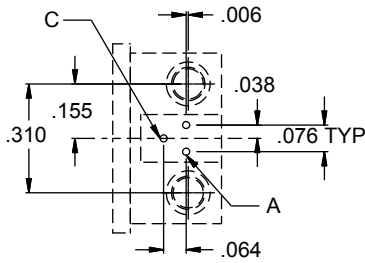


SERIES 800 UN THREAD MATING
Mighty Mouse Connectors and Cables
 Right-Angle Jam-Nut Receptacle
 PCB Footprints

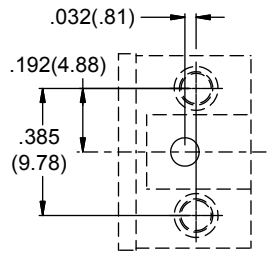


RIGHT ANGLE PCB FOOTPRINTS: SOCKET CONNECTORS SHOWN

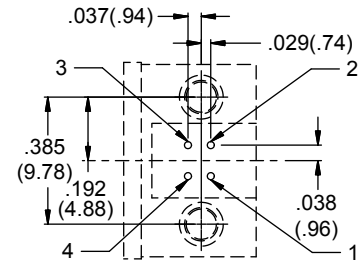
Patterns shown are for component mounting side of PCB. Contacts are .022 (0.56) max. diameter, mounting holes are 2-56 threaded inserts



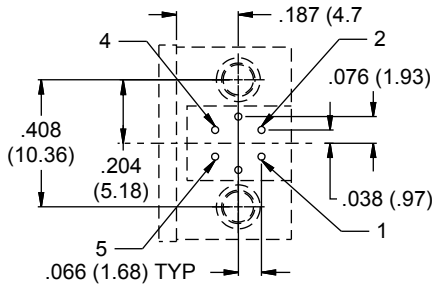
5-3



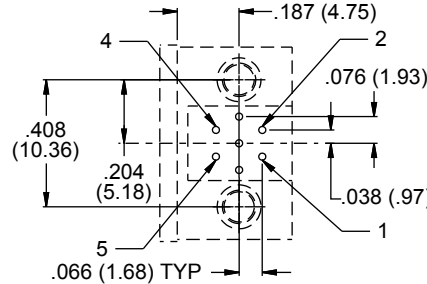
6-1



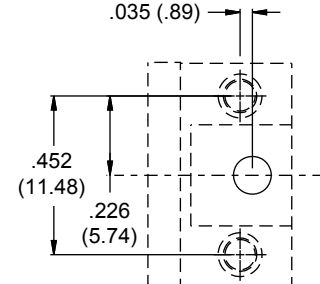
6-4



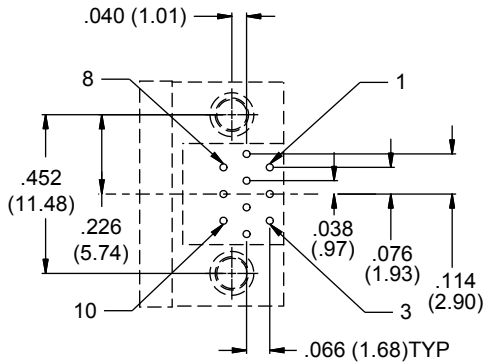
6-6



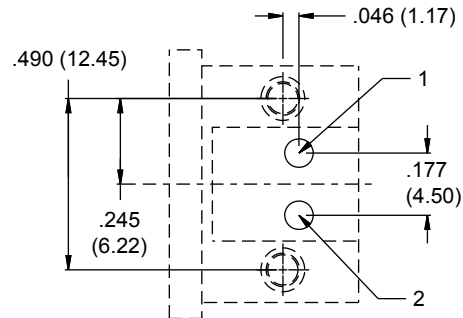
6-7



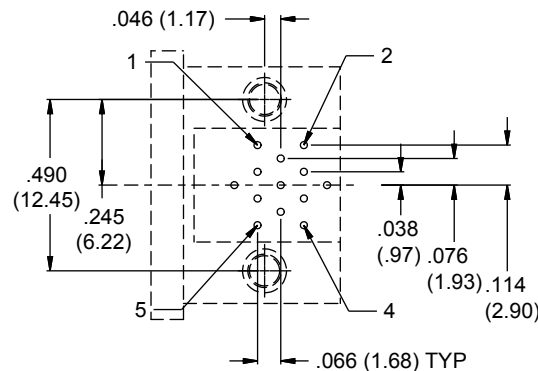
7-1



7-10

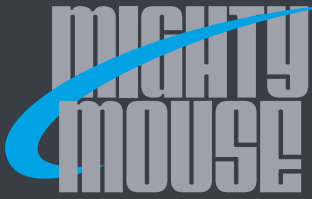


8-2



8-13

SERIES 800 UN THREAD MATING



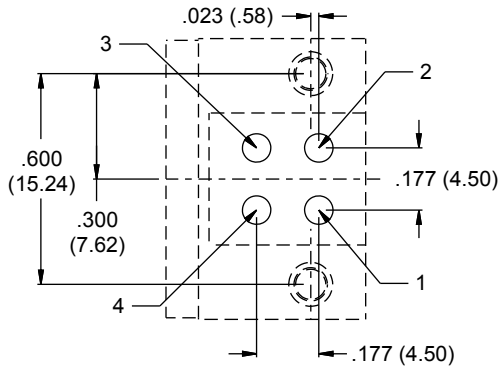
SERIES 800 UN THREAD MATING Mighty Mouse Connectors and Cables

Right-Angle Jam-Nut Receptacle PCB Footprints

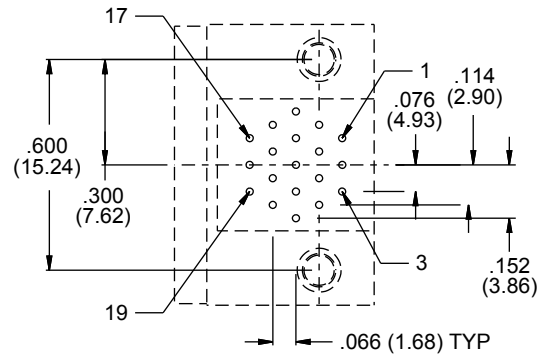


RIGHT ANGLE PCB FOOTPRINTS: SOCKET CONNECTORS SHOWN

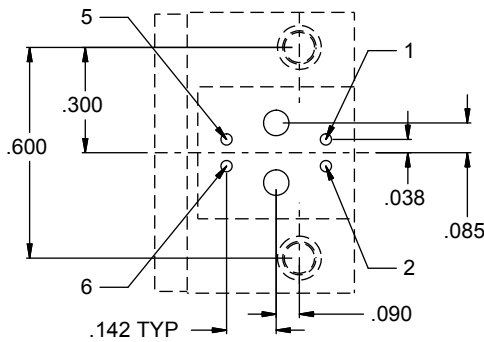
Patterns shown are for component mounting side of PCB. Contacts are .022 (0.56) max. diameter, mounting holes are 2-56 threaded inserts



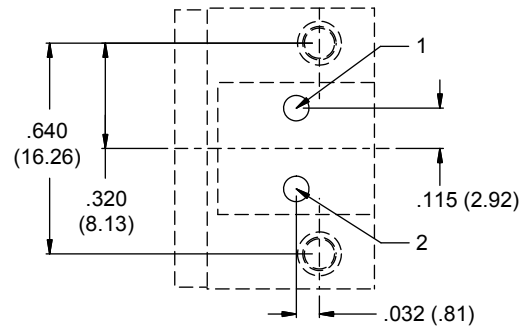
9-4



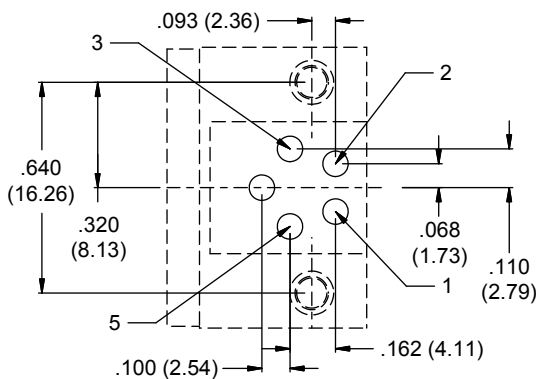
9-19



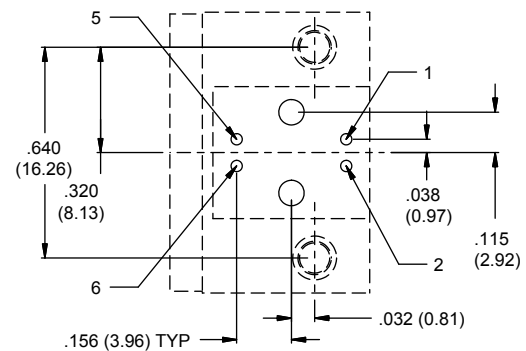
9-200



10-2



10-5



10-201