

# SERIES 800 UN THREAD MATING Mighty Mouse Connectors and Cables



## Receptacles with Rear Release Crimp Contacts, Banding Porch, or Accessory Threads



**Series 800 Receptacle Connectors** are available in three styles, and feature machined aluminum or stainless steel shells. Supplied with crimp removable contacts. Terminate contacts with standard M22520 tools. Fluorosilicone interfacial seal and rear grommet protect connector from water ingress. Terminate cable shield directly to 800-010 connector body with Band-Master® ATS band, or choose 800-011 with accessory thread to attach optional cable clamp or backshell.

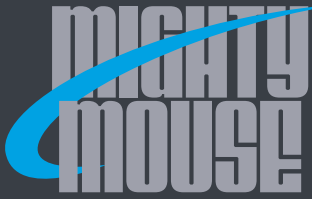
| How To Order                            |   |  |  |  |                |                          |                |                   |                             |                   |
|---|---|--|--|--|----------------|--------------------------|----------------|-------------------|-----------------------------|-------------------|
| <b>Sample Part Number</b>               | <b>800-011</b> <b>-01</b> <b>M</b> <b>6-7</b> <b>P</b> <b>N</b>   |  |  |  |                |                          |                |                   |                             |                   |
| <b>Series (See Table I)</b>             | <b>800-010</b> = With Banding Platform<br><b>800-011</b> = With Accessory Thread  |  |  |  |                |                          |                |                   |                             |                   |
| <b>Shell Style (See Table II)</b>       | <b>-01</b> = In-Line Cable Receptacle<br><b>-02</b> = Square Flange, Front or Rear Panel Mount<br><b>-07</b> = Jam-Nut, Rear Panel Mount  |  |  |  |                |                          |                |                   |                             |                   |
| <b>Shell Material and Finish</b>        | <b>C</b> = Aluminum / Black Anodize (Non-Conductive)<br><b>M</b> = Aluminum / Electroless Nickel<br><b>NF</b> = Aluminum / Cadmium with Olive Drab Chromate<br><b>ZNU</b> = Aluminum / Zinc-Nickel with Black Chromate<br><b>MT</b> = Aluminum / Nickel-PTFE<br><b>Z1</b> = Stainless Steel / Passivated  |  |  |  |                |                          |                |                   |                             |                   |
| <b>Shell Size - Insert Arrangement</b>  | See Contact Arrangements page D-4   |  |  |  |                |                          |                |                   |                             |                   |
| <b>Contact Type</b>                     | <table border="0"> <tr> <td><b>Connector supplied with contacts</b></td> <td><b>Connector supplied without contacts</b></td> <td><b>Connector supplied with 30 AWG contacts</b></td> </tr> <tr> <td><b>P</b> = Pin</td> <td><b>A</b> = Pin Connector</td> <td><b>G</b> = Pin</td> </tr> <tr> <td><b>S</b> = Socket</td> <td><b>B</b> = Socket Connector</td> <td><b>H</b> = Socket</td> </tr> </table> <p>Connectors with contacts are supplied with crimp contacts. Contacts not installed.<br/>For Coaxial contacts order contacts separately and request pin or socket connector without contacts.</p> | <b>Connector supplied with contacts</b>        | <b>Connector supplied without contacts</b> | <b>Connector supplied with 30 AWG contacts</b> | <b>P</b> = Pin | <b>A</b> = Pin Connector | <b>G</b> = Pin | <b>S</b> = Socket | <b>B</b> = Socket Connector | <b>H</b> = Socket |
| <b>Connector supplied with contacts</b> | <b>Connector supplied without contacts</b>  | <b>Connector supplied with 30 AWG contacts</b> |  |  |                |                          |                |                   |                             |                   |
| <b>P</b> = Pin                          | <b>A</b> = Pin Connector  | <b>G</b> = Pin                                 |  |  |                |                          |                |                   |                             |                   |
| <b>S</b> = Socket                       | <b>B</b> = Socket Connector   | <b>H</b> = Socket                              |  |  |                |                          |                |                   |                             |                   |
| <b>Polarization (See Table III)</b>     | <b>N</b> = Normal <b>X</b> = Pos. X <b>Y</b> = Pos. Y <b>Z</b> = Pos. Z   |  |  |  |                |                          |                |                   |                             |                   |

SERIES 800 UN THREAD MATING

| Table I: Series                                 |  |
|---|--|
|   |  |
| <b>800-010</b><br>Receptacle with Band Platform | <b>800-011</b><br>Receptacle with Accessory Thread |

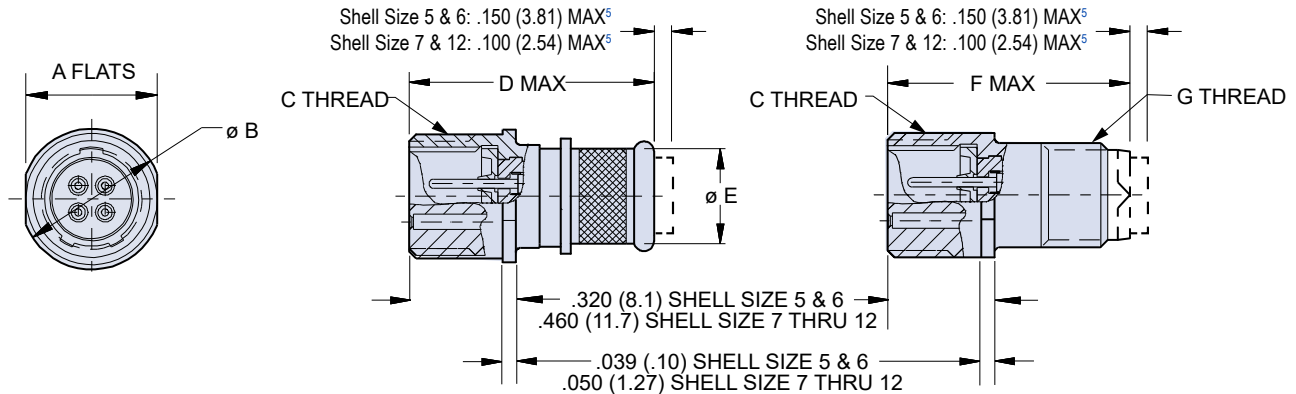
| Table II: Shell Style |   |   |
|-----------------------|---|---|
|                       |   |   |
| <b>-01</b><br>In-Line | <b>-02</b><br>Square Flange, Rear Mount | <b>-07</b><br>Jam-Nut, Rear Panel Mount |

| Table III: Keyway Positions <sup>6,7</sup> |                      |
|--|----------------------|
| Shell Size 5 and 6                         | Shell Size 7 thru 12 |
|  |                      |
| Key Position                               | Key Rotation         |
| <b>N</b> Normal                            | 150°                 |
| <b>X</b>                                   | 140°                 |
| <b>Y</b>                                   | 130°                 |
| <b>Z</b>                                   | 120°                 |



In-Line Receptacle with Rear Release Crimp Contacts, Banding Porch, or Accessory Threads

**IN-LINE CABLE RECEPTACLE - SHELL STYLE 01**



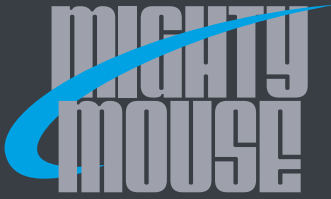
**Integral Band Platform**  
800-010-01

**Accessory Thread**  
800-011-01

| Dimensions |              |              |                  |              |              |              |                     |
|------------|--------------|--------------|------------------|--------------|--------------|--------------|---------------------|
| Shell Size | A Flats      | Ø B          | C Threads Mating | D Max.       | Ø E          | F Max.       | G Threads Accessory |
| 5          | .312 (7.92)  | .355 (9.02)  | .3125-28 UN-2A   | .750 (19.05) | .230 (5.84)  | .725 (18.42) | .250-32 UNEF-2A     |
| 6          | .375 (9.52)  | .400 (10.16) | .3750-28 UN-2A   | .750 (19.05) | .286 (7.26)  | .725 (18.42) | .3125-32 UNEF-2A    |
| 7          | .445 (11.30) | .490 (12.45) | .4375-28 UNEF-2A | .825 (20.96) | .390 (9.91)  | .800 (20.32) | .4375-28 UNEF-2A    |
| 8          | .550 (13.97) | .600 (15.24) | .5000-32 UN-2A   | .825 (20.96) | .445 (11.30) | .800 (20.32) | .5000-28 UNEF-2A    |
| 9          | .613 (15.57) | .663 (16.84) | .5625-32 UN-2A   | .825 (20.96) | .500 (12.70) | .800 (20.32) | .5625-24 UNEF-2A    |
| 10         | .675 (17.15) | .725 (18.42) | .6250-32 UN-2A   | .825 (20.96) | .565 (14.35) | .800 (20.32) | .6250-24 UNEF-2A    |
| 12         | .800 (20.32) | .850 (21.59) | .7500-28 UN-2A   | .825 (20.96) | .650 (16.51) | .800 (20.32) | .6875-24 UNEF-2A    |

**NOTES**

- Contacts are size 23 crimp type, and used in a rear release retention system
- Additional insert arrangements available, consult factory
- Crimp barrel accommodates 22, 24, 26 and 28 gage wire
- Crimp tool data:
  - Crimp frame: M22520/2-01
  - Positioner for use with crimp frame: Glenair P/N 809-005
  - Insertion/extraction tool: Glenair P/N 809-008
- Grommet protrudes for power/combo arrangements
- Shell sizes 5 thru 6 and insert arrangement 8-13: master key is located at top dead center (TDC) for normal (N) position.
- Shell size 7 thru 12: master key is rotated 90° from TDC for normal position
- Material / finish:
  - Shell: Aluminum Alloy or CRES / see How to Order Table
  - Insulator: High Grade Rigid Dielectric
  - Interfacial seal, grommet seal: fluorosilicone or silicone
  - Contact: copper alloy / gold plate per ASTM B 488, Type II, Class 1.25, over a suitable underplate

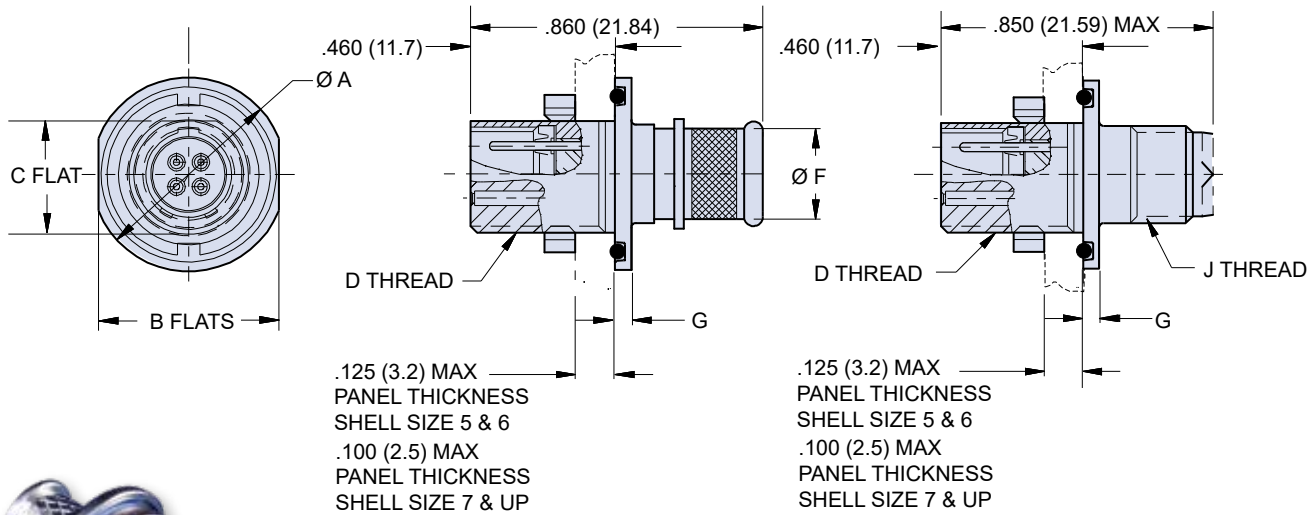


SERIES 800 UN THREAD MATING  
Mighty Mouse Connectors and Cables



Jam-Nut Receptacle with Rear Release Crimp Contacts, Banding Porch, or Accessory Threads

**JAM-NUT, REAR PANEL MOUNT RECEPTACLE - SHELL STYLE 07**



**Integral Band Platform**  
800-010-07

**Accessory Thread**  
800-011-07

| Dimensions |               |              |              |                  |              |             |                     |
|------------|---------------|--------------|--------------|------------------|--------------|-------------|---------------------|
| Shell Size | Ø A           | B Flat       | C Flat       | D Threads Mating | Ø F          | G           | J Threads Accessory |
| 5          | .541 (13.74)  | .500 (12.70) | .285 (7.24)  | .3125-28 UN-2A   | .230 (5.84)  | .051 (1.30) | .250-32 UNEF-2A     |
| 6          | .610 (15.49)  | .562 (14.27) | .352 (8.94)  | .3750-28 UN-2A   | .286 (7.26)  | .051 (1.30) | .3125-32 UNEF-2A    |
| 7          | .670 (17.02)  | .635 (16.13) | .418 (10.62) | .4375-28 UNEF-2A | .390 (9.91)  | .093 (2.36) | .4375-28 UNEF-2A    |
| 8          | .775 (19.68)  | .735 (18.67) | .473 (12.01) | .5000-32 UN-2A   | .445 (11.30) | .093 (2.36) | .5000-28 UNEF-2A    |
| 9          | .875 (22.23)  | .806 (20.47) | .530 (13.46) | .5625-32 UN-2A   | .500 (12.70) | .093 (2.36) | .5625-24 UNEF-2A    |
| 10         | .980 (24.89)  | .940 (23.88) | .604 (15.34) | .6250-32 UN-2A   | .565 (14.35) | .093 (2.36) | .6250-24 UNEF-2A    |
| 12         | 1.062 (26.97) | .986 (25.04) | .712 (18.08) | .7500-28 UN-2A   | .650 (16.51) | .093 (2.36) | .6875-24 UNEF-2A    |

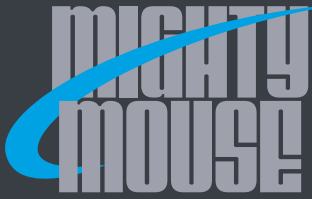
**NOTES:**

1. See page D-7 for panel cut-out dimensions

Material / finish:

- Shell, jam-nut: Aluminum Alloy or CRES / see How to Order Table
- Insulator: High Grade Rigid Dielectric
- Interfacial seal, grommet seal: fluorosilicone or silicone
- Contact: copper alloy / gold plate per ASTM B 488, Type II, Class 1.25, over a suitable underplate

SERIES 800 UN THREAD MATING

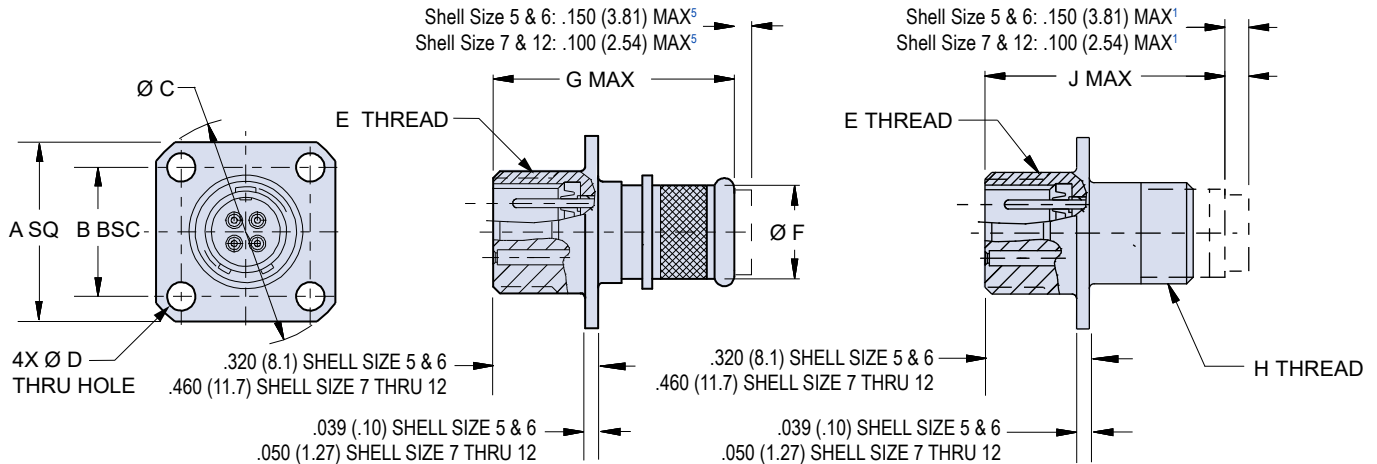


SERIES 800 UN THREAD MATING  
Mighty Mouse Connectors and Cables



Square-Flange Receptacle with Crimp Contacts,  
Banding Porch, or Accessory Threads

**SQUARE FLANGE REAR PANEL MOUNT RECEPTACLE - SHELL STYLE 02**



**Integral Band Platform**  
800-010-02

**Accessory Thread**  
800-011-02

| Dimensions |               |              |               |                           |                     |              |              |                        |        |
|------------|---------------|--------------|---------------|---------------------------|---------------------|--------------|--------------|------------------------|--------|
| Shell Size | A SQ          | B Bsc        | Ø C           | Ø D<br>± .005<br>(± 0.13) | E Threads<br>Mating | Ø F          | G Max.       | H Threads<br>Accessory | J Max. |
| 5          | .527 (13.39)  | .363 (9.22)  | .680 (17.27)  | .094 (2.39)               | .3125-28 UN-2A      | .230 (5.84)  | .730 (18.54) | .250-32 UNEF-2A        | .725   |
| 6          | .588 (14.94)  | .423 (10.74) | .750 (19.05)  | .094 (2.39)               | .3750-28 UN-2A      | .286 (7.26)  | .730 (18.54) | .3125-32 UNEF-2A       | .725   |
| 7          | .650 (16.51)  | .483 (12.27) | .830 (21.08)  | .128 (3.25)               | .4375-28 UNEF-2A    | .390 (9.91)  | .805 (20.45) | .4375-28 UNEF-2A       | .800   |
| 8          | .710 (18.03)  | .542 (13.77) | .938 (23.83)  | .128 (3.25)               | .5000-32 UN-2A      | .445 (11.30) | .805 (20.45) | .5000-28 UNEF-2A       | .800   |
| 9          | .938 (23.83)  | .719 (18.26) | 1.250 (31.75) | .128 (3.25)               | .5625-32 UN-2A      | .500 (12.70) | .805 (20.45) | .5625-24 UNEF-2A       | .800   |
| 10         | .938 (23.83)  | .719 (18.26) | 1.250 (31.75) | .128 (3.25)               | .6250-32 UN-2A      | .565 (14.35) | .805 (20.45) | .6250-24 UNEF-2A       | .800   |
| 12         | 1.031 (26.19) | .812 (20.62) | 1.375 (34.92) | .128 (3.25)               | .7500-28 UN-2A      | .650 (16.51) | .805 (20.45) | .6875-24 UNEF-2A       | .800   |

**NOTES:**

1. See page D-7 for panel cut-out dimensions

Material / finish:

- Shell: Aluminum Alloy or CRES / see How to Order Table
- Insulator: High Grade Rigid Dielectric
- Interfacial seal, grommet seal: fluorosilicone or silicone
- Contact: copper alloy / gold plate per ASTM B 488, Type II, Class 1.25, over a suitable underplate