

SERIES 804 QDC PUSH-PULL

Mighty Mouse Connectors and Cables



Lightweight, Hermetic Jam-Nut Mount Receptacles with PC Tails or Solder Cups

**CODE RED**™



**CODE RED Lightweight Hermetic Panel Mount Receptacles**

Quick Disconnect Series 804 Hermetic Connectors feature aluminum shells with advanced encapsulant sealing technology and gold-plated copper contacts. Contacts are factory-installed and non-removable. Choose solder cup or PC Tail terminals. Front or rear jam-nut panel mount versions available. Select front panel mount to reduce snagging and lower profile, or choose rear panel mount style where space within a box enclosure is limited. 100% tested to meet 1 X 10<sup>-7</sup> ccHe/sec @ 1 atm helium leak rate. Operating temperature range of -65°C to +200°C. Coil spring securely retains mating plug connector and provides low shell-to-shell resistance for excellent EMI shielding. Not for use in liquid environments.

**NOTES**

1. Red Stripe indicator for alignment during mating
2. Contacts are non removable
3. Receptacle connector mates with all push/pull high density plug connectors with same polarization and opposite contact gender, 804-001, 804-002, 804-009, 804-006, and 804-080.
4. See page H-9 for recommended panel cut-outs
5. Performances:
  - temperature range: -65°C to +200°C
  - Hemeticity: -1 x 10<sup>-7</sup> cc He/sec @ 1 ATM differential
  - DWM: 750 VAC @ seal level
  - IR: 5000 megohms @ 500 VDC minimum, room temperature
  - Connector shall not be used in liquid environment

How To Order						
Sample Part Number	804-140	-07	ZNU	6-4	P	N
Series	804-140 = Hermetic Receptacle					
Shell Style (See Table I)	-00 = Jam-Nut, Front Panel Mount -07 = Jam-Nut, Rear Panel Mount					
Shell Material and Finish	M = Aluminum / Electroless Nickel ME = Aluminum / Electroless Nickel, Thick NF = Aluminum / Cadmium-Nickel / Olive Drab ZN = Aluminum / Zinc-Nickel / Olivew Drab ZNU / ZR = Aluminum / Zinc-Nickel / Black Chromate					
Shell Size - Insert Arrangement	See Contact Arrangements pages M-8 thru M-32					
Contact Type	E = Pin, Solder Cup F = Socket, Solder Cup Tail			P = Pin, PC Tail S = Socket, PC		
Polarization (See Table II)	Omit = Single Master Key A = Normal B = Pos. B C = Pos. C D = Pos. D E = Pos. E F = Pos. F					

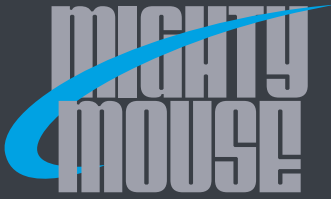
**Table I: Shell Style**

-00 Jam-Nut, Front Panel Mount	-07 Jam-Nut, Rear Panel Mount

**Table II: Keyway Positions**

	Pos.	A°	B°
	A	150°	210°
	B	75°	210°
	C	95°	230°
	D	140°	275°
	E	75°	210°
	F	95°	210°

GLASS SEAL HERMETIC CONNECTORS

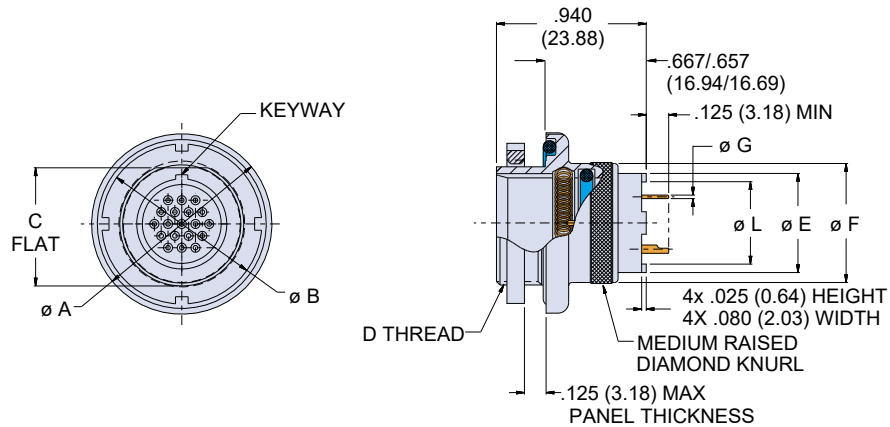


SERIES 804 QDC PUSH-PULL  
Mighty Mouse Connectors and Cables



Lightweight, Hermetic Jam-Nut Mount  
Receptacles with PC Tails or Solder Cups

**JAM-NUT, REAR PANEL MOUNT RECEPTACLE - SHELL STYLE 07**

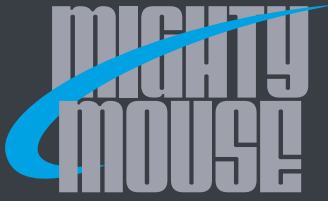


Dimensions							
Shell Size	Ø A	Ø B	C Flat	D Threads	Ø E	Ø F	Ø G Tail Dia.
5	.790 (20.07)	.562 (14.27)	.415 (10.54)	.4375-32 UN-2A	.250 (6.35)	.450 (11.43)	#23 .018/.022 (0.46/0.56)
6	.830 (21.08)	.625 (15.88)	.467 (11.86)	.5000-32 UN-2A	.330	.520 (13.21)	
7	.910 (23.11)	.750 (19.05)	.594 (15.09)	.6250-28 UN-2A	.432 (10.97)	.580 (14.73)	
8	.955 (24.26)	.750 (19.05)	.594 (15.09)	.6250-28 UN-2A	.432 (10.97)	.580 (14.73)	#20 .024/.028 (0.61/0.71)
9	1.000 (25.40)	.812 (20.62)	.655 (16.64)	.6875-28 UN-2A	.551 (14.00)	.695 (17.65)	#16 .060/.064 (1.52/1.63)
10	1.085 (27.56)	.875 (22.23)	.721 (18.31)	.7500-28 UN-2A	.620 (15.75)	.735 (18.67)	
11	1.135 (28.83)	.938 (23.83)	.790 (20.07)	.8125-28 UN-2A	.662 (16.81)	.810 (20.57)	#12 .092/.096 (2.34/2.44)
12	1.190 (30.23)	1.000 (25.40)	.843 (21.41)	.8750-28 UN-2A	.703 (17.86)	.880 (22.35)	
14	1.325 (33.65)	1.125 (28.58)	.968 (24.59)	1.0000-28 UN-2A	.863 (21.92)	1.010 (25.65)	

Material and Finish

- Shell, jam-nut: see how to order table
- Insulator: high grade rigid dielectric / N.A.
- Interfacial seal and O-ring: fluorosilicone / N.A.
- Contact: copper alloy / gold plate per ASTM B 488, Type II, Code C, Class 1.25, over suitable underplate
- Sealing compound: potting encapsulant

GLASS SEAL HERMETIC CONNECTORS

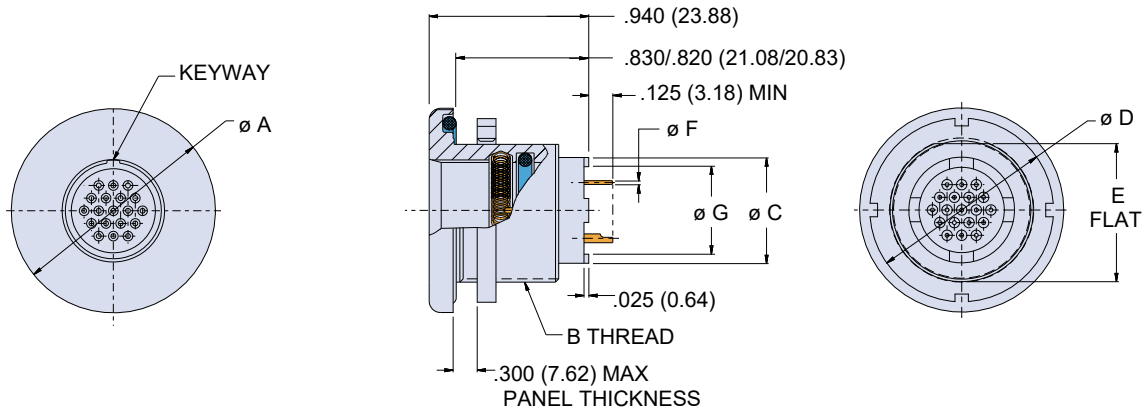


SERIES 804 QDC PUSH-PULL

Mighty Mouse Connectors and Cables 

Lightweight, Hermetic Jam-Nut Mount Receptacles with PC Tails or Solder Cups

**JAM-NUT, FRONT PANEL MOUNT RECEPTACLE- SHELL STYLE 00**



Dimensions						
Shell Size	Ø A	B Threads	Ø C	Ø D	E Flat	Ø F Tail Dia.
5	.830 (21.08)	.5000-32 UN-2A	.250	.625 (15.88)	.470 (11.94)	#23 .018/.022 (0.46/0.56)
6	.885 (22.48)	.5625-28 UN-2A	.330	.688 (17.48)	.530 (13.46)	
7	.995 (25.27)	.6875-28 UN-2A	.432 (10.97)	.812 (20.62)	.663 (16.84)	
8	.995 (25.27)	.6875-28 UN-2A	.432 (10.97)	.812 (20.62)	.663 (16.84)	#20 .024/.028 (0.61/0.71)
9	1.075 (27.30)	.7500-28 UN-2A	.551 (14.00)	.875 (22.23)	.720 (18.29)	
10	1.140 (28.96)	.8125-28 UN-2A	.620 (15.75)	.938 (23.83)	.788 (20.02)	#16 .060/.064 (1.52/1.63)
11	1.190 (30.23)	.8750-28 UN-2A	.662 (16.81)	1.000 (25.40)	.843 (21.41)	
12	1.340 (34.04)	1.0000-28 UN-2A	.703 (17.86)	1.125 (28.58)	.970 (24.64)	#12 .092/.096 (2.34/2.44)
14	1.390 (35.31)	1.0625-20 UN-2A	.863 (21.92)	1.162 (29.51)	1.020 (25.91)	

Material and Finish

- Shell, jam-nut: see how to order table
- Insulator: high grade rigid dielectric / N.A.
- Interfacial seal and O-ring: fluorosilicone / N.A.
- Contact: copper alloy / gold plate per ASTM B 488, Type II, Code C, Class 1.25, over suitable underplate
- Sealing compound: potting encapsulant

GLASS SEAL HERMETIC CONNECTORS