

# SERIES 801 DOUBLE-START ACME THREAD Mighty Mouse Connectors and Cables



## CODE RED Lightweight Hermetic Receptacles, Solder Cup or PC Tail



### Series 801 Lightweight Hermetic Receptacles

Feature an advanced hermetic encapsulant seal for a leak rate performance of  $1 \times 10^{-7}$  ccHe/second. Encapsulant seal allows for the use of copper alloy / gold plated contacts for improved performance over nickel-iron contacts typically found in glass-to-metal sealed connectors. Modified double-start stub ACME mating thread for improved protection against cross-mating and thread damage. Four shell styles — jam-nut, square flange, solder mount and weld mount available. Solder cup or PC tail contacts for attachment to flex or rigid circuit boards. **Contact factory regarding use in liquid environments.**

### NOTES

1. Hermeticity:  $1 \times 10^{-7}$  cc/sec at one atmosphere, not for use in liquid environment
2. This connector mates with all quick coupling high density plug connectors with same polarization and opposite contact gender, (801-001, 801-002, 801-007, and 801-008)
3. See page E-11 for panel cut-out dimensions
4. Material / finish:
  - Shell and jam nut: see how-to-order table
  - Contacts: copper alloy 52 / gold plate
  - Seals: fluorosilicone / N.A.
  - Insulators: high grade rigid dielectric/N.A.
  - Sockets: copper alloy/gold plate (contact), CRES/passivated (hood)
  - Sealing compound: polymer encapsulant

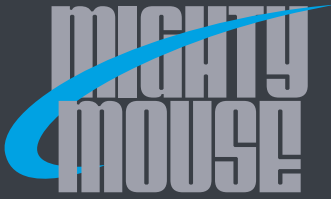
How To Order						
<b>Sample Part Number</b>	<b>801-140</b>	<b>-01</b>	<b>Z1</b>	<b>6-7</b>	<b>P</b>	<b>A</b>
<b>Series</b>	801-140 = Lightweight Hermetic Receptacles					
<b>Shell Style (See Table I)</b>	-02 = Square Flange, Front or Rear Panel Mount -13 = Weld Mount, Front Panel Mount -07 = Jam-Nut, Rear Panel Mount					
<b>Material and Finish</b>	E = Aluminum Alloy / Chem-Film, MIL-DTL-5541 ME = Aluminum Alloy / Electroless Nickel NF = Aluminum Alloy / Cadmium, Olive Drab ZR = Aluminum Alloy / Zinc-Nickel, Black Z1 = Stainless Steel / Passivated ZL = Stainless Steel / Nickel Plated					
<b>Shell Size - Insert Arrangement</b>	See Contact Arrangements pages M-8 thru M-32					
<b>Contact Type</b>	P = Pin, Solder Cup S = Socket, Solder Cup		C = Pin, PC Tail D = Socket, PC Tail			
<b>Polarization (See Table II)</b>	A = Normal D = Pos. D	B = Pos. B E = Pos. E	C = Pos. C F = Pos. F			

Table I: Shell Style		
<b>Style -02</b> Square Flange	<b>Style -07</b> Jam-Nut	<b>Style -13</b> Weld Mount

DWV Rating	
Contact Sizes	Test Voltage
23	750 VAC
20 HD	1000 VAC
16, 12, 8	1800 VAC

Table II: Keyway Positions		
Position	A°	B°
A	150°	210°
B	75°	210°
C	95°	230°
D	140°	275°
E	75°	275°
F	95°	210°

LIGHTWEIGHT CODE RED CONNECTORS

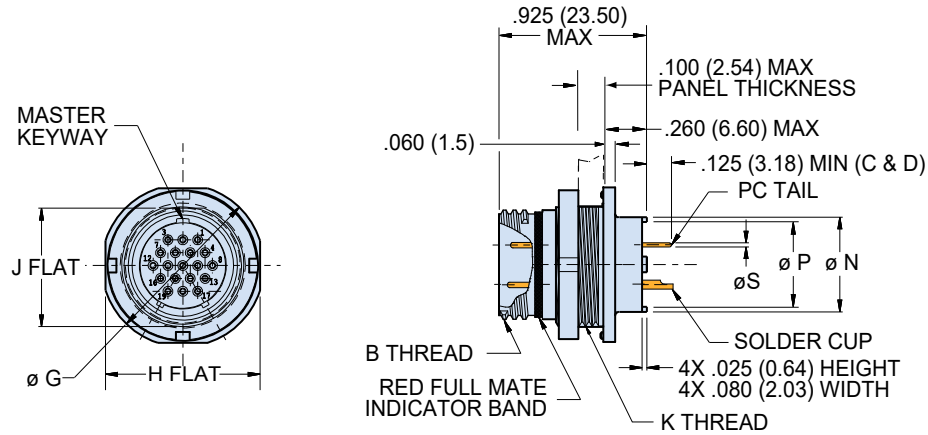


SERIES 801 DOUBLE-START ACME THREAD  
Mighty Mouse Connectors and Cables



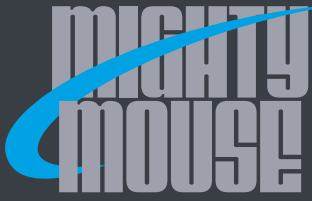
CODE RED Lightweight Hermetic Receptacles,  
Solder Cup or PC Tail

JAM-NUT MOUNT RECEPTACLE - SHELL STYLE 07



Dimensions								
Shell Size	B Thread	Ø G	H Flat	J Flat	K Thread UN-2A	Ø N	Ø P	Ø S PC Tail Dia.
5	.3125-.05P-.1L-2A	.575 (14.60)	.545 (13.84)	.350 (8.89)	.3750-28	.244 (6.20)	.197 (5.00)	#23 .022/.018 (0.56/0.46)
6	.3750-.05P-.1L-2A	.635 (16.13)	.595 (15.11)	.410 (10.41)	.4375-28	.330 (8.38)	.236 (5.99)	
7	.4375-.05P-.1L-2A	.755 (19.18)	.723 (18.36)	.536 (13.61)	.5625-32	.432 (10.97)	.324 (8.23)	
8	.5000-.05P-.1L-2A	.755 (19.18)	.723 (18.36)	.536 (13.61)	.5625-32	.493 (12.52)	.390 (9.91)	#20
9	.5625-.05P-.1L-2A	.830 (21.08)	.790 (20.07)	.596 (15.14)	.6250-28	.551 (14.00)	.444 (11.28)	.028/.024 (0.71/0.61)
10	.6250-.05P-.1L-2A	.890 (22.61)	.855 (21.72)	.658 (16.71)	.6875-28	.620 (15.75)	.520 (13.21)	#16
11	.6875-.05P-.1L-2A	.960 (24.38)	.925 (23.50)	.718 (18.24)	.7500-28	.662 (16.81)	.557 (14.15)	.064/.060 (1.63/1.52)
13	.8125-.1P-.2L-2A	1.078 (27.38)	1.044 (26.52)	.845 (21.46)	.8750-28	.703 (17.86)	.596 (15.14)	#12
16	1.0000-.1P-.2L-2A	1.265 (32.13)	1.230 (31.24)	1.022 (25.96)	1.0625-20	.863 (21.92)	.756 (19.20)	.096/.092 (2.44/2.34)
17	1.0625-.1P-.2L-2A	1.325 (33.65)	1.290 (32.77)	1.096 (27.84)	1.1250-28	.912 (23.16)	.805 (20.45)	
19	1.1875-.1P-.2L-2A	1.450 (36.83)	1.415 (35.94)	1.225 (31.12)	1.2500-28	1.018 (25.86)	.910 (23.11)	
21	1.3125-.1P-.2L-2A	1.625 (41.28)	1.577 (40.06)	1.346 (34.19)	1.3750-28	1.170 (29.72)	1.061 (26.95)	

LIGHTWEIGHT CODE RED CONNECTORS

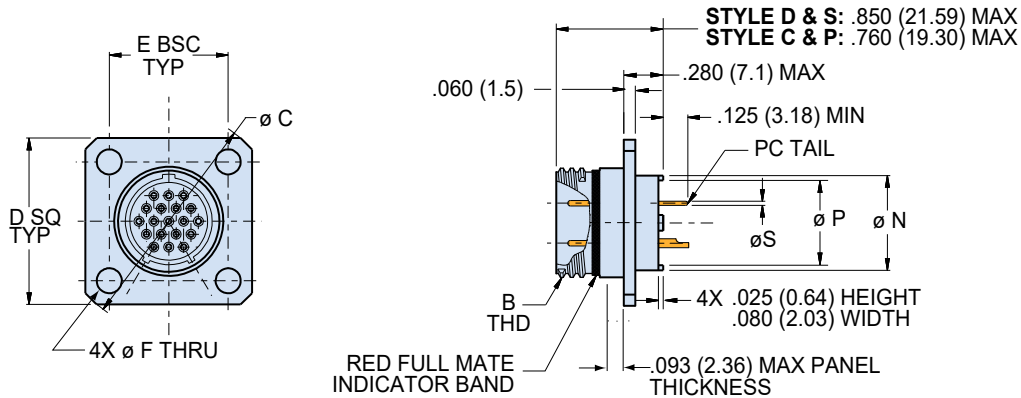


# SERIES 801 DOUBLE-START ACME THREAD Mighty Mouse Connectors and Cables



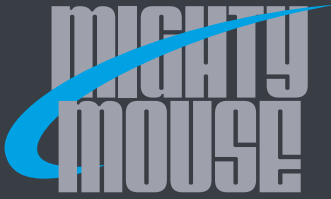
## CODE RED Lightweight Hermetic Receptacles, Solder Cup or PC Tail

### FRONT OR REAR, SQUARE FLANGE MOUNT - SHELL STYLE 02



Dimensions									
Shell Size	D Sq	E BSC	Ø C	Ø F	B Thread	Ø N	Ø P	Ø S PC Tail Dia	
6	.590 (14.99)	.423 (10.74)	.750 (19.05)	.096/.091	.3750-.05P-.1L-2A	0.013 (.330)	.448 (0.02) .414 (0.02)	#23 .018/.022 (0.46/0.56)	
7	.650 (16.51)	.483 (12.27)	.850 (21.59)		.4375-.05P-.1L-2A	0.017 (.432)	.572 (0.02) .567 (0.02)		
8	.712 (18.08)	.545 (13.84)	.938 (23.83)		.5000-.05P-.1L-2A	0.019 (.493)	.572 (0.02) .567 (0.02)		
9	.850 (21.59)	.607 (15.42)	1.125 (28.58)	.130/.126	.5625-.05P-.1L-2A	0.022 (.551)	.635 (0.03) .630 (0.02)		#20 .024/.028 (0.61/0.71)
10	.890 (22.61)	.670 (17.02)	1.188 (30.18)		.6250-.05P-.1L-2A	0.024 (.620)	.698 (0.03) .693 (0.03)		
11	.935 (23.75)	.715 (18.16)	1.250 (31.75)		.6875-.05P-.1L-2A	0.026 (.662)	.760 (0.03) .755 (0.03)		
13	1.030 (26.16)	.812 (20.62)	1.375 (34.92)		.8125-1P-2L-2A	0.028 (.703)	.885 (0.03) .880 (0.03)		#16 .060/.064 (1.52/1.63)
16	1.219 (30.96)	.981 (24.92)	1.625 (41.28)		1.0000-1P-2L-2A	0.034 (.863)	1.072 (0.04) 1.067 (0.04)		
17	1.280 (32.51)	1.060 (26.92)	1.700 (43.18)		1.0625-1P-2L-2A	0.036 (.912)	1.135 (0.04) 1.130 (0.04)		
19	1.432 (36.37)	1.191 (30.25)	1.900 (48.26)		1.1875-1P-2L-2A	0.040 (1.018)	1.260 (0.05) 1.255 (0.05)	#12 .092/.096 (2.34/2.44)	
21	1.565 (39.75)	1.322 (33.58)	2.100 (53.34)	1.3125-1P-2L-2A	0.046 (1.170)	1.385 (0.05) 1.380 (0.05)			

LIGHTWEIGHT CODE RED CONNECTORS

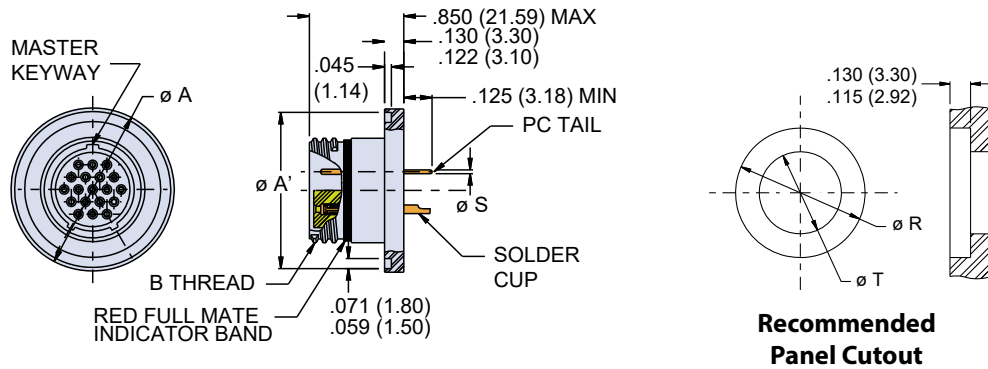


SERIES 801 DOUBLE-START ACME THREAD  
Mighty Mouse Connectors and Cables



CODE RED Lightweight Hermetic Receptacles,  
Solder Cup or PC Tail

**WELD MOUNT RECEPTACLE - SHELL STYLE 13**



**Recommended Panel Cutout**

Dimensions						
Shell Size	ø A ±.002	ø A'	B Thread	ø S PC Tail Diameter	ø R ±.003	ø T Min
5	.600 (15.24)	.555 (0.02)	.3125-.05P-.1L-2A	#23 - .018/.022 (0.46/0.56)	.606 (0.02)	.180 (0.01)
6	.665 (16.89)	.620 (0.02)	.3750-.05P-.1L-2A		.671 (0.03)	.240 (0.01)
7	.730 (18.54)	.685 (0.03)	.4375-.05P-.1L-2A		.736 (0.03)	.330 (0.01)
8	.788 (20.02)	.745 (0.03)	.5000-.05P-.1L-2A	#20 - .024/.028 (0.61/0.71)	.794 (0.03)	.390 (0.02)
9	.912 (23.16)	.869 (0.03)	.5625-.05P-.1L-2A		.918 (0.04)	.455 (0.02)
10	.975 (24.77)	.933 (0.04)	.6250-.05P-.1L-2A	#16 - .060/.064 (1.52/1.63)	.871 (0.03)	.520 (0.02)
11	1.062 (26.97)	1.019 (0.04)	.6875-.05P-.1L-2A		1.068 (0.04)	.580 (0.02)
13	1.162 (29.51)	1.119 (0.04)	.8125-.1P-.2L-2A		1.168 (0.05)	.610 (0.02)
16	1.288 (32.72)	1.245 (0.05)	1.0000-.1P-.2L-2A	#12 - .092/.096 (2.34/2.44)	1.294 (0.05)	.775 (0.03)
17	1.360 (34.54)	1.315 (0.05)	1.0625-.1P-.2L-2A		1.366 (0.05)	.825 (0.03)
19	1.495 (37.97)	1.452 (0.06)	1.1875-.1P-.2L-2A		1.501 (0.06)	.930 (0.04)
21	1.625 (41.28)	1.580 (0.06)	1.3125-.1P-.2L-2A		1.631 (0.06)	1.080 (0.04)

LIGHTWEIGHT CODE RED CONNECTORS