

SERIES 80 MIGHTY MOUSE CONNECTORS Accessories, Backshells, and Tools



Series 804 Mighty Mouse Front or Rear Jam-Nut and Flange Mount Dummy Stowage Plug



809-213

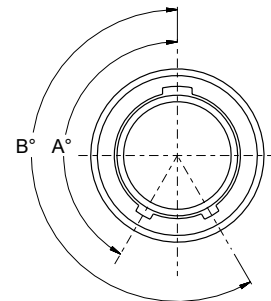
Dummy stowage receptacles provide a safe and convenient place to store and protect cabled connectors when not in use due to routine maintenance or repair of plug cables. for use with 804 style plug connectors.

How To Order					
Sample Part Number	809-213	-07	M	9	A
Series	809-213				
Shell Style	-07 = Rear Mount, Jam Nut -02 = Flange Mount -00 = Front Mount, Jam Nut				
Shell Material and Finish	C = Aluminum / Black Anodize (Non-Conductive) RoHS Compliant M = Aluminum / Electroless Nickel NF = Aluminum / Cadmium with Olive Drab ZN = Aluminum / Zinc-Nickel with Olive Drab Chromate ZNU = Aluminum / Zinc-Nickel with Black over Electroless Nickel Z1 = Stainless Steel / Passivated ZB = Stainless Steel / Olive Drab Chromate over Cadmium ZC = Stainless Steel / Zinc Cobalt Alloy / Black Chromate				
Shell Size (See Table II)	5, 6, 7, 8, 9, 10, 11, 12, 14,15				
Key Position	A, B, C, D, E, F Omit = Single Key (non-polarized)				

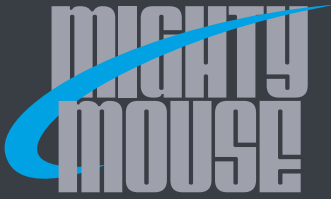
NOTES:

1. Red stripe indicator for alignment during mating.
2. This stowage plug mates with 804 series receptacles with compatible polarization.
3. Material and Finish
 - Shell, jam nut: Al Alloy or CRES
 - O-rings: Fluorosilicone.

Alternate Key Positions



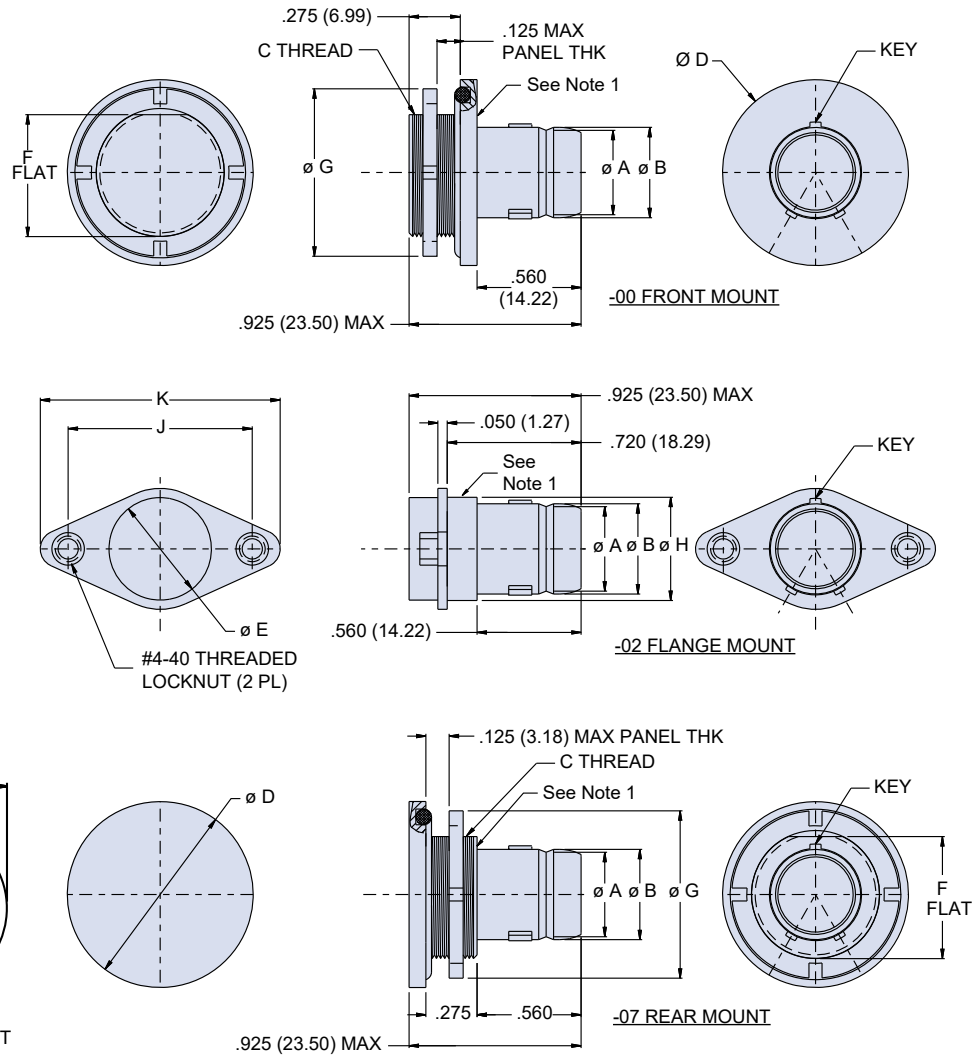
Pos.	A°	B°
A	150°	210°
B	75°	210°
C	95°	230°
D	140°	275°
E	75°	275°
F	95°	210°



SERIES 80 MIGHTY MOUSE CONNECTORS Accessories, Backshells, and Tools



Series 804 Mighty Mouse Front or Rear Jam-Nut and Flange Mount Dummy Stowage Plug



ACCESSORIES, BACKSHELLS, AND TOOLS

Dimensions												
Shell size	Ø A	Ø B	C Thread UN-2A	Ø D	Ø E	F Flat	Ø G	H	J	K	L Flat ± .005	Ø M
5	.219 (5.56)	.250 (6.35)	.4375-32	.790 (20.07)	.244 (6.20)	.415 (10.54)	.562 (14.27)	.320 (8.13)	.755 (19.18)	1.055 (26.80)	.423 (10.74)	.448 (11.38)
6	.282 (7.16)	.313 (7.95)	.5000-32	.830 (21.08)	.330 (8.38)	.467 (11.86)	.625 (15.88)	.385 (9.78)	.820 (20.83)	1.120 (28.45)	.475 (12.07)	.510 (12.95)
7	.351 (8.92)	.383 (9.73)	.6250-28	.910 (23.11)	.432 (10.97)	.594 (15.09)	.750 (19.05)	.450 (11.43)	.885 (22.48)	1.185 (30.10)	.602 (15.29)	.635 (16.13)
8	.398 (10.11)	.429 (10.90)	.6250-28	.955 (24.26)	.493 (12.52)	.594 (15.09)	.750 (19.05)	.495 (12.57)	.930 (23.62)	1.230 (31.24)	.602 (15.29)	.635 (16.13)
9	.454 (11.53)	.486 (12.34)	.6875-28	1.000 (25.40)	.551 (14.00)	.655 (16.64)	.812 (20.62)	.555 (14.10)	.990 (25.15)	1.290 (32.77)	.663 (16.84)	.698 (17.73)
10	.529 (13.44)	.563 (14.30)	.7500-28	1.085 (27.56)	.620 (15.75)	.721 (18.31)	.875 (22.23)	.625 (15.88)	1.060 (26.92)	1.360 (34.54)	.729 (18.52)	.760 (19.30)
11	.587 (14.91)	.618 (15.70)	.8125-28	1.140 (28.96)	.662 (16.81)	.790 (20.07)	.938 (23.83)	.690 (17.53)	1.120 (28.45)	1.420 (36.07)	.798 (20.27)	.823 (20.90)
12	.646 (16.41)	.676 (17.17)	.8750-28	1.180 (29.97)	.703 (17.86)	.843 (21.41)	1.000 (25.40)	.750 (19.05)	1.185 (30.10)	1.485 (37.72)	.851 (21.62)	.885 (22.48)
14	.768 (19.51)	.800 (20.32)	1.000-28	1.325 (33.65)	.863 (21.92)	.968 (24.59)	1.125 (28.58)	.865 (21.97)	1.300 (33.02)	1.600 (40.64)	.976 (24.79)	1.010 (25.65)
15	.828 (21.03)	.860 (21.84)	1.0625-20	1.390 (35.31)	.912 (23.16)	1.029 (26.14)	1.188 (30.18)	.930 (23.62)	1.365 (34.67)	1.665 (42.29)	1.037 (26.34)	1.072 (27.23)