



SERIES 80 MIGHTY MOUSE CONNECTORS Accessories, Backshells, and Tools



Series 804 Mighty Mouse Rear Panel Mount Dummy Stowage Receptacle

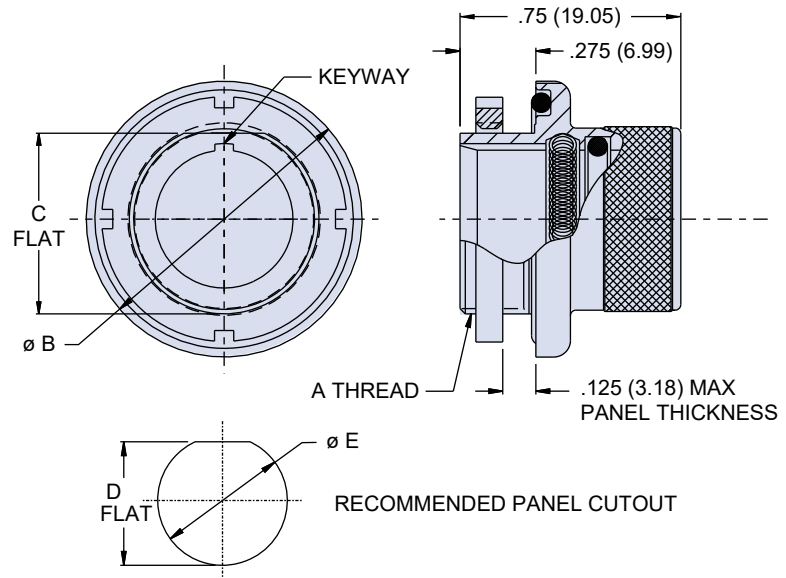


Series 804 rear panel mounted dummy stowage receptacles provide a safe a convenient place to store and protect cabled connectors when not in use due to routine maintenance or repair of plug cables.

NOTES:

- Glenair 600 series backshell assembly tools are recommended for assembly and installation.
- Material and Finish:
 - Receptacle: Al Alloy or SST/
 - Seal: Fluorosilicone
 - Spring: CRES/gold plated

| How To Order | | | | |
|---------------------------|---|----|----|---|
| Sample Part Number | 650-061 | NF | 15 | A |
| Series | 650-061 | | | |
| Shell Material and Finish | C = Aluminum / Black Anodize (Non-Conductive) RoHS Compliant M = Aluminum / Electroless Nickel NF = Aluminum / Cadmium with Olive Drab ZN = Aluminum / Zinc-Nickel with Olive Drab Chromate ZNU = Aluminum / Zinc-Nickel with Black over Electroless Nickel Z1 = Stainless Steel / Passivated ZB = Stainless Steel / Olive Drab Chromate over Cadmium ZC = Stainless Steel / Zinc Cobalt Alloy / Black Chromate | | | |
| Shell Size (See Table II) | 5, 6, 7, 8, 9, 10, 11, 12, 14, 15 | | | |
| Key Position | A, B, C, D, E, F Omit = Single key (non-Polarized) | | | |



| Alternate Key Positions | | |
|-------------------------|------|------|
| | | |
| Pos. | A° | B° |
| A | 150° | 210° |
| B | 75° | 210° |
| C | 95° | 230° |
| D | 140° | 275° |
| E | 75° | 275° |
| F | 95° | 210° |

| Table I: Dimensions | | | | | | | | | |
|---------------------|-----------------|-------|-------|--------|-------|-----------|-----------|-------|-------|
| Shell Size | A Thread | Ø B | | C-Flat | | D-Flat | | Ø E | |
| | | in. | mm. | in. | mm. | in. ± .04 | mm. ± .04 | in. | mm. |
| 5 | .4375-32 UN-2A | .790 | 20.07 | .415 | 10.54 | .425 | 10.80 | .448 | 11.38 |
| 6 | .5000-32 UN-2A | .830 | 21.08 | .467 | 11.86 | .477 | 12.12 | .510 | 12.95 |
| 7 | .6250-28 UN-2A | .910 | 23.11 | .594 | 15.09 | .603 | 15.32 | .635 | 16.13 |
| 8 | .6250-28 UN-2A | .955 | 24.26 | .594 | 15.09 | .603 | 15.32 | .635 | 16.13 |
| 9 | .6875-28 UN-2A | 1.000 | 25.40 | .655 | 16.64 | .665 | 16.89 | .695 | 17.65 |
| 10 | .7500-28 UN-2A | 1.085 | 27.56 | .721 | 18.31 | .731 | 18.57 | .760 | 19.30 |
| 11 | .8125-28 UN-2A | 1.135 | 28.83 | .788 | 20.02 | .798 | 20.27 | .822 | 20.88 |
| 12 | .8750-28 UN-2A | 1.180 | 29.97 | .843 | 21.41 | .853 | 21.67 | .885 | 22.48 |
| 14 | 1.0000-28 UN-2A | 1.325 | 33.66 | .968 | 24.59 | .978 | 24.84 | 1.010 | 25.65 |
| 15 | 1.0625-20 UN-2A | 1.390 | 35.31 | 1.029 | 26.14 | 1.039 | 26.39 | 1.070 | 27.18 |