

# SERIES 80 MIGHTY MOUSE CONNECTORS Accessories, Backshells, and Tools



## Series 800, 801, 803, 804 and 805 Rotatable Coupling, Shield Termination, Shrink Boot Adapter



**440MS135**

These thread-on adapters are used with **Band-Master™ ATS Micro Band** shield termination straps. Choose the smallest cable entry for your wire bundle. **Straight Entry** adapters are available in various lengths. **Straight, 45°, and 90°** adapters feature rotatable coupling nuts.

**Band-Master™ ATS Band  
Microband 601-061**



**Band-Master™ ATS  
Micro Band Tool  
601-101**



**Add a boot or overmold  
for environmental protection  
(Shown without boot)**

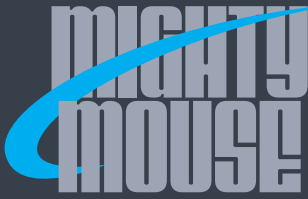
How To Order	
<b>Sample Part Number</b>	<b>440MS135 M 07 05 -7 K</b>
<b>Series (See Table I)</b>	<b>440MS135</b> = Straight Entry <b>440MK135</b> = 45° Entry <b>440ML135</b> = 90° Entry
<b>Shell Material and Finish</b>	<b>UCR</b> = Aluminum / Zinc Cobalt Black <b>M</b> = Aluminum / Electroless Nickel <b>NF</b> = Aluminum / Cadmium with Olive Drab <b>ZN</b> = Aluminum / Zinc-Nickel with Olive Drab Chromate <b>ZNU</b> = Aluminum / Zinc-Nickel with Black Chromate <b>MT</b> = Aluminum / Nickel-PTFE <b>Z1</b> = Stainless Steel / Passivated
<b>Size Code (See Table II)</b>	<b>05, 06, 11, 07, 08, 09, 10, 12, 13, 14, 16, 17</b>
<b>Cable Entry Size (See Table III)</b>	<b>02, 03, 04, 05, 06, 07, 08, 09, 10, 11, 12, 13, 14</b>
<b>Length</b>	Applies to symbol "S", straight only Length in 1/8 (3.18mm) inch increments (i.e. 7 = .875 inches)
<b>Band Option</b>	<b>K</b> = Pre-coiled Band Supplied (600-057-1) <b>B</b> = Band Supplied (600-057) <b>Omit</b> for no band supplied
<b>Lace-Tie Option</b>	<b>T</b> = Lace-Tie <b>Omit</b> for no lace-tie option

Table I: Cover Style		
<b>440MS135</b> Straight Entry	<b>440MK135</b> 45° Entry	<b>440ML135</b> 90° Entry

### NOTES

- Standard Minimum Length is .75. Applies to symbol "S" straight only.
- Consult factory for larger cable entries dimensions C, D, E, & F may be exceeded.
- Materials
  - Coupling nut, Adapter: aluminum alloy or 300 series SST
  - Band: 300 series SST
  - O-ring: silicone elastomer

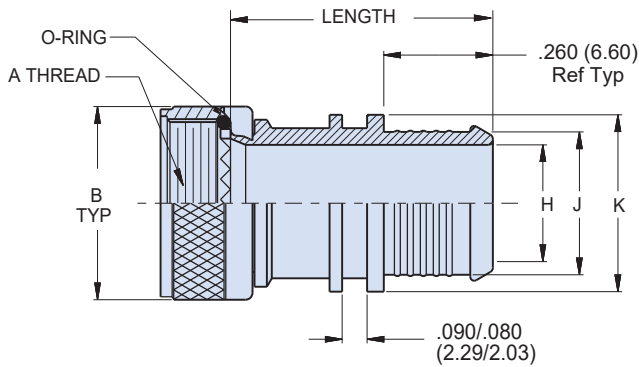
ACCESSORIES, BACKSHELLS, AND TOOLS



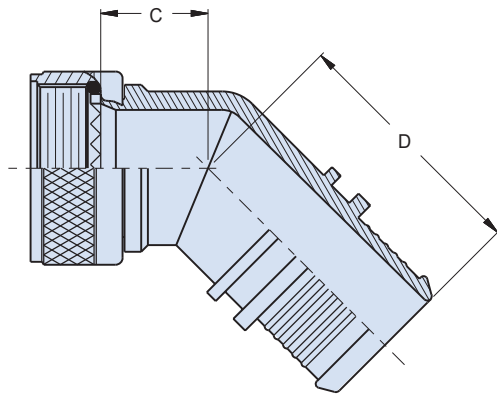
# SERIES 80 MIGHTY MOUSE CONNECTORS Accessories, Backshells, and Tools



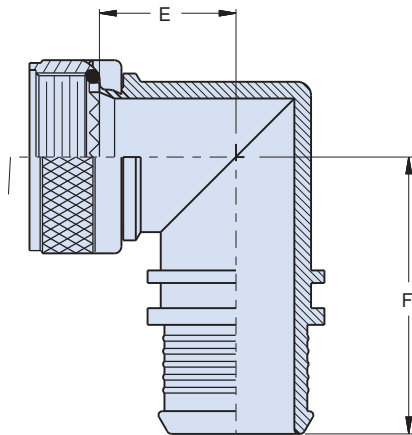
## Series 800, 801, 803, 804 and 805 Rotatable Coupling, Shield Termination, Shrink Boot Adapter



STRAIGHT ENTRY  
ROTATABLE COUPLING  
440MS135



45° ENTRY  
ROTATABLE COUPLING  
440MK135



90° ENTRY  
ROTATABLE COUPLING  
440ML135

Table II: Dimensions

Size Code	A Threads	Shell Size		Max Cable Entry Code <sup>2</sup>
		Series 800, 801, 803, 804	Series 805	
05	.2500-32 UNEF-2B	5	N/A	03
06	.3125-32 UNEF-2B	6	N/A	04
11	.375-32 UNEF-2B	N/A	8	04
07	.4375-28 UNEF-2B	7	9	06
08	.5000-28 UNEF-2B	8	10	07
09	.5625-24 UNEF-2B	9	11	08
10	.6250-24 UNEF-2B	10	12	09
12	.6875-24 UNEF-2B	11, 12, 13	13	10
13	.750-20 UNEF-2B	N/A	15	10
14	.9375-20 UNEF-2B	14, 15, 16, 17	18, 19	14
16	1.0625-18 UNEF-2B	19	21	15
17	1.1875-18 UNEF-2B	21	23	16

Table II: Dimensions (continued)

Size Code	B Max.	C Max.	D Max.	E Max.	F Max.
05	.470 (11.94)	.530 (13.46)	.660 (16.76)	.630 (16.00)	.780 (19.81)
06	.530 (13.46)	.550 (13.97)	.670 (17.02)	.660 (16.76)	.790 (20.07)
11	.570 (14.48)	.560 (14.22)	.680 (17.27)	.680 (17.27)	.810 (20.57)
07	.637 (16.18)	.570 (14.48)	.690 (17.53)	.700 (17.78)	.830 (21.08)
08	.700 (17.78)	.580 (14.73)	.700 (17.78)	.740 (18.80)	.860 (21.84)
09	.758 (19.25)	.590 (14.99)	.710 (18.03)	.770 (19.56)	.890 (22.61)
10	.819 (20.80)	.610 (15.49)	.730 (18.54)	.800 (20.32)	.920 (23.37)
12	.896 (22.76)	.640 (16.26)	.750 (19.05)	.840 (21.34)	.970 (24.64)
13	.930 (23.62)	.660 (16.76)	.770 (19.56)	.890 (22.61)	1.020 (25.91)
14	1.137 (28.88)	.690 (17.53)	.800 (20.32)	.950 (24.13)	1.090 (27.69)
16	1.230 (31.24)	.710 (18.03)	.820 (20.83)	.980 (24.89)	1.130 (28.70)
17	1.387 (35.23)	.720 (18.29)	.830 (21.08)	1.010 (25.65)	1.160 (29.46)

Table III: Cable Entry Dimensions

Cable Entry Code	Ø H ± .015 (± 0.38)	Ø J ± .015 (± 0.38)	Ø K ± .015 (± 0.38)
02	.125 (3.18)	.164 (4.17)	.266 (6.76)
03	.188 (4.78)	.227 (5.77)	.329 (8.36)
04	.250 (6.35)	.289 (7.34)	.391 (9.93)
05	.312 (7.92)	.351 (8.92)	.453 (11.51)
06	.375 (9.52)	.414 (10.52)	.516 (13.11)
07	.438 (11.13)	.477 (12.12)	.579 (14.71)
08	.500 (12.70)	.539 (13.69)	.641 (16.28)
09	.562 (14.27)	.601 (15.27)	.703 (17.86)
10	.625 (15.88)	.664 (16.87)	.766 (19.46)
11	.688 (17.48)	.727 (18.47)	.829 (21.06)
12	.750 (19.05)	.789 (20.04)	.891 (22.63)
13	.812 (20.62)	.851 (21.62)	.953 (24.21)
14	.875 (22.23)	.914 (23.22)	1.016 (25.81)
15	.938 (23.83)	.977 (24.82)	1.079 (27.41)
16	1.00 (25.40)	1.039 (26.39)	1.141 (28.98)