



SERIES 80 MIGHTY MOUSE CONNECTORS Accessories, Backshells, and Tools



Series 800, 801, 803, 804 and 805 Rotatable Coupling, with EMI Ring, Environmental



390MS077

Rotatable coupling environmental backshells feature an EMI ring for easy cable shield termination. Coupling nut and compression nut O-rings for watertight seals or thread-on saddle bar option for strain-relief of wire bundles.

How To Order	
Sample Part Number	390MS077 M 07 04- 6 N
Series (See Table I)	390MS077 = Straight Entry, 390MB077 = 45° Entry 390MA077 = 90° Entry
Shell Material and Finish (See Table II)	See Material and Finish Table
Size Code (See Table II)	05, 06, 11, 07, 08, 09, 10, 12, 13, 14, 16, 17
Cable Entry Code (See Table III)	01, 02, 03, 04, 05, 06, 07, 08, 09, 10, 11, 12, 13
Length	Straight Entry 390MS Only Specify length in increments of .125; e.g. 6 =.75 in
Clamp Style (See Table IV)	Omit = Screw Clamp with Saddle Bars N = Compression Nut, Low Profile

Table II: Material and Finish	
Code	Descriptions
M	Aluminum / Electroless Nickel
MT	Aluminum / Nickel - PTFE
NF	Aluminum / Cadmium with Olive Drab
UCR	Aluminum Zinc Cobalt / Black
ZN	Aluminum / Zinc-Nickel with Olive Drab Chromate
ZNU	Aluminum / Zinc Nickel with Black over Electroless Nickel
Z1	Stainless Steel / Passivate

Table III: Shell Size Code					
Shell Size Code	Shell Size Ref		A Thread Size Class -2B UNEF	B Max	Standard Length
	800/801 803/804	805			
05	5	N/A	.2500-32	.470 (11.94)	.75 (19.05)
06	6	N/A	.3125-32	.530 (13.46)	.75 (19.05)
11	N/A	8	.3750-32	.570 (14.48)	.75 (19.05)
07	7	9	.4375-28	.637 (16.18)	.75 (19.05)
08	8	10	.5000-28	.700 (17.78)	.75 (19.05)
09	9	11	.5625-24	.758 (19.25)	.75 (19.05)
10	10	12	.6250-24	.819 (20.80)	.75 (19.05)
12	11/12/13	13	.6875-24	.896 (22.76)	.88 (22.35)
13	N/A	15	.7500-20	.930 (23.62)	.88 (22.35)
14	14/15/16/17	18/19	.9375-20	1.137 (28.88)	1.00 (25.40)
16	19	21	1.0625-18	1.230 (31.24)	1.00 (25.40)
17	21	23	1.1875-18	1.387 (35.23)	1.13 (28.70)

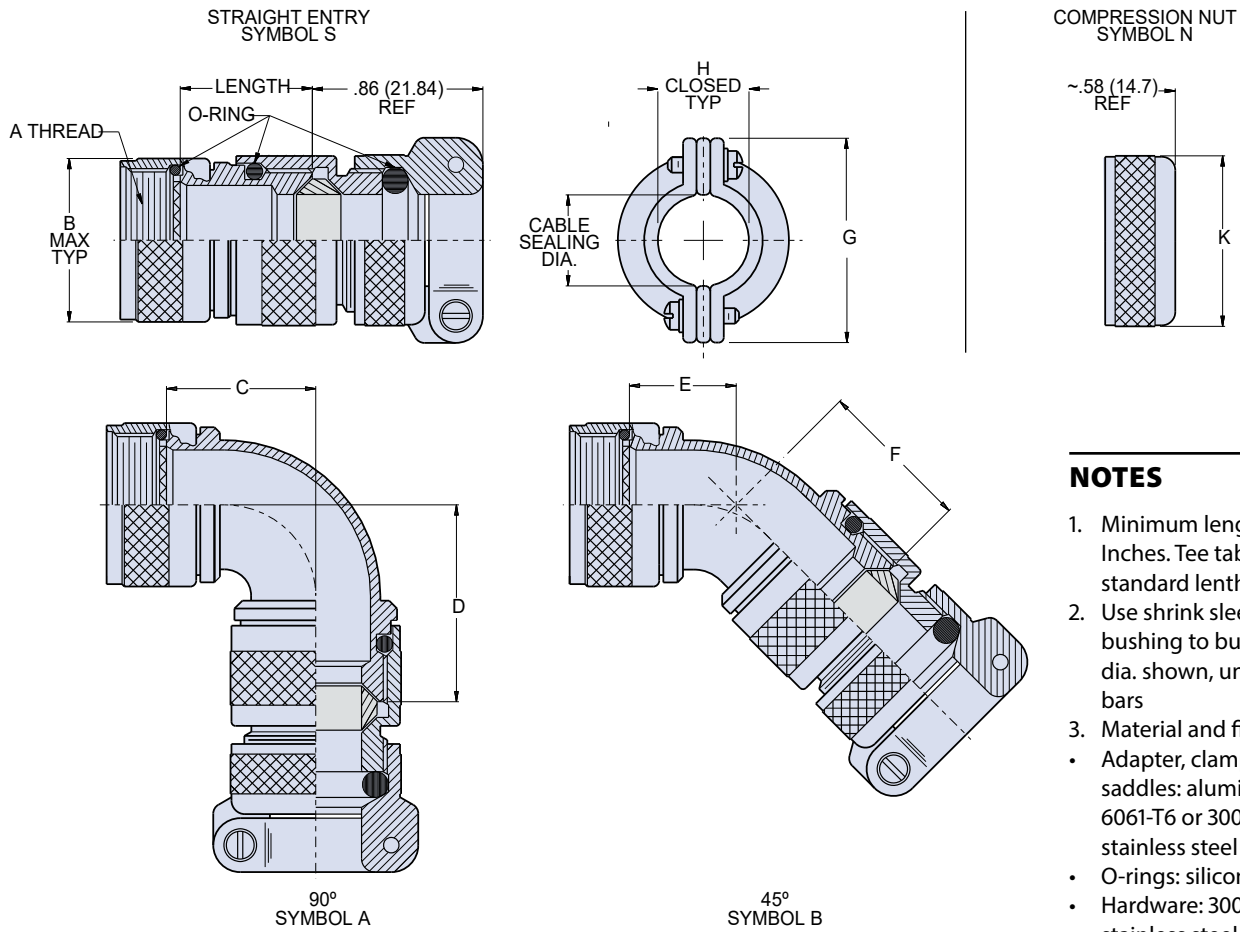
Table I: Cover Style	
N Compression Nut, Low Profile	390MS077 Straight Entry, Rotatable Coupling
390MB077 45° Entry Rotatable Coupling	390MA077 90° Entry Rotatable Coupling



SERIES 80 MIGHTY MOUSE CONNECTORS Accessories, Backshells, and Tools



Series 800, 801, 803, 804 and 805 Rotatable Coupling, Environmental EMI/RFI Backshell



NOTES

1. Minimum length is .63 Inches. See table I for standard length
2. Use shrink sleeve or bushing to build cable to dia. shown, under saddle bars
3. Material and finish
 - Adapter, clamp, nut and saddles: aluminum alloy 6061-T6 or 300 series stainless steel
 - O-rings: silicone rubber
 - Hardware: 300 series stainless steel

Table IV: Cable Entry Code and Compression Nut Dimensions

Dash No	C Max	D Max	E Max	F Max	Cable Entry Code		G Dim	H Dia Closed ³	J Dia
					Max	Min			
01	.724 (18.39)	.802 (20.37)	.603 (15.32)	.681 (17.30)	.109 (2.77)	.031 (0.79)	.496 (12.60)	.11 (2.79)	.398 (10.11)
02	.724 (18.39)	.802 (20.37)	.603 (15.32)	.681 (17.30)	.172 (4.37)	.078 (1.98)	.582 (14.78)	.17 (4.32)	.460 (11.68)
03	.724 (18.39)	.802 (20.37)	.603 (15.32)	.681 (17.30)	.234 (5.94)	.140 (3.56)	.656 (16.66)	.23 (5.84)	.523 (13.28)
04	.786 (19.96)	.864 (21.95)	.629 (15.98)	.707 (17.96)	.297 (7.54)	.203 (5.16)	.726 (18.44)	.30 (7.62)	.585 (14.86)
05	.786 (19.96)	.864 (21.95)	.629 (15.98)	.707 (17.96)	.359 (9.12)	.265 (6.73)	.885 (22.48)	.36 (9.14)	.647 (16.43)
06	.848 (21.54)	.926 (23.52)	.655 (16.64)	.733 (18.62)	.422 (10.72)	.328 (8.33)	.952 (24.18)	.42 (10.67)	.710 (18.03)
07	.848 (21.54)	.926 (23.52)	.655 (16.64)	.733 (18.62)	.484 (12.29)	.390 (9.91)	1.018 (25.86)	.48 (12.19)	.773 (19.63)
08	.911 (23.14)	.989 (25.12)	.707 (17.96)	.785 (19.94)	.547 (13.89)	.453 (11.51)	1.084 (27.53)	.55 (13.97)	.835 (21.21)
09	.911 (23.14)	.989 (25.12)	.707 (17.96)	.785 (19.94)	.609 (15.47)	.515 (13.08)	1.148 (29.16)	.61 (15.49)	.897 (22.78)
10	.977 (24.82)	1.055 (26.80)	.733 (18.62)	.811 (20.60)	.672 (17.07)	.578 (14.68)	1.211 (30.76)	.67 (17.02)	.959 (24.36)
11	.977 (24.82)	1.055 (26.80)	.733 (18.62)	.811 (20.60)	.734 (18.64)	.640 (16.26)	1.273 (32.33)	.73 (18.54)	1.021 (25.93)
12	1.036 (26.31)	1.114 (28.30)	.785 (19.94)	.863 (21.92)	.859 (21.82)	.765 (19.43)	1.400 (35.56)	.86 (21.84)	1.083 (27.51)
13	1.098 (27.89)	1.176 (29.87)	.811 (20.60)	.889 (22.58)	1.000 (25.40)	.906 (23.01)	1.539 (39.09)	.99 (25.15)	1.145 (29.08)