

SERIES 80 MIGHTY MOUSE CONNECTORS Accessories, Backshells, and Tools



Series 800, 801, 803, 804 and 805 Direct Coupling, with EMI Ring, Environmental



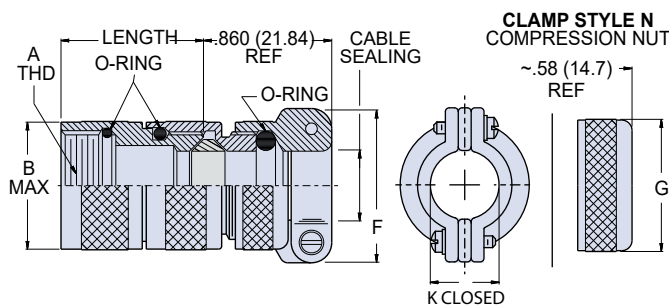
390MS076

Direct coupling environmental backshell feature an EMI ring for easy cable shield termination. Coupling nut and compression nut O-rings for watertight seals or thread-on saddle bar option for strain-relief support of wire bundles.

Code	Descriptions
M	Aluminum / Electroless Nickel
NF	Aluminum / Cadmium with Olive Drab
ZN	Aluminum / Zinc-Nickel with Olive Drab Chromate
ZNU	Aluminum / Zinc Nickel with Black over Electroless Nickel
Z1	Stainless Steel / Passivated
ZM	Stainless Steel / Electroless Nickel

Omit Thread-on Saddle Bars	N Compression Nut

How To Order						
Sample Part Number	390MS076	NF	07	04	-6	N
Series	390MS076 = Straight Entry, Direct Coupling					
Material / Finish (See Table I)	See Table I					
Shell Size Code (See Table II)	05, 06, 11, 07, 08, 09, 10, 12, 13, 14, 16, 17					
Cable Entry Code (See Table III)	01, 02, 03, 04, 05, 06, 07, 08, 09, 10, 11, 12, 13					
Length	Specify length in increments of .125; e.g. 6 =.75 in					
Clamp Style (See Table IV)	Omit = Screw Clamp with Saddle Bars N = Compression Nut, Low Profile					



NOTES

- Minimum length is .63 inches. See Table I for standard length
- Use shrink sleeve or bushing to build cable to dia shown
- Material and Finish
 - Adapter, clamp, nut and saddles: al alloy or SST
 - O-rings: silicone rubber
 - Hardware: SST

Shell Size Code	Shell Size Ref		A Thread Class -2B	B Max	Standard Length
	800/801 803/804	805			
05	5	N/A	1/4-32 UNEF	.350 (8.89)	.75 (19.05)
06	6	N/A	5/16-32 UNEF	.415 (10.54)	.75 (19.05)
11	N/A	8	3/8-32 UNEF	.465 (11.81)	.75 (19.05)
07	7	9	7/16-28 UNEF	.530 (13.46)	.75 (19.05)
08	8	10	1/2-28 UNEF	.595 (15.11)	.75 (19.05)
09	9	11	9/16-24 UNEF	.650 (16.51)	.75 (19.05)
10	10	12	5/8-24 UNEF	.715 (18.16)	.75 (19.05)
12	11/12/13	13	11/16-24 UNEF	.785 (19.94)	.88 (22.35)
13	N/A	15	3/4-20 UNEF	.830 (21.08)	.88 (22.35)
14	14 thru 17	18/19	15/16-20 UNEF	1.020 (25.91)	1.00 (25.40)
16	19	21	1 1/16-18 UNEF	1.155 (29.34)	1.00 (25.40)
17	21	23	1 3/16-18 UNEF	1.280 (32.51)	1.13 (28.70)

Dash No	Cable Entry Code		F Dim	G Dia	K Dia Closed
	Max	Min			
01	.109 (2.77)	.031 (0.79)	.496 (12.60)	.398 (10.11)	.11 (2.79)
02	.172 (4.37)	.078 (1.98)	.582 (14.78)	.460 (11.68)	.17 (4.32)
03	.234 (5.94)	.140 (3.56)	.656 (16.66)	.523 (13.28)	.23 (5.84)
04	.297 (7.54)	.203 (5.16)	.726 (18.44)	.585 (14.86)	.30 (7.62)
05	.359 (9.12)	.265 (6.73)	.885 (22.48)	.647 (16.43)	.36 (9.14)
06	.422 (10.72)	.328 (8.33)	.952 (24.18)	.710 (18.03)	.42 (10.67)
07	.484 (12.29)	.390 (9.91)	1.018 (25.86)	.773 (19.63)	.48 (12.19)
08	.547 (13.89)	.453 (11.51)	1.084 (27.53)	.835 (21.21)	.55 (13.97)
09	.609 (15.47)	.515 (13.08)	1.148 (29.16)	.897 (22.78)	.61 (15.49)
10	.672 (17.07)	.578 (14.68)	1.211 (30.76)	.959 (24.36)	.67 (17.02)
11	.734 (18.64)	.640 (16.26)	1.273 (32.33)	1.021 (25.93)	.73 (18.54)
12	.859 (21.82)	.765 (19.43)	1.400 (35.56)	1.083 (27.51)	.86 (21.84)
13	1.000 (25.40)	.906 (23.01)	1.539 (39.09)	1.145 (29.08)	.99 (25.15)

ACCESSORIES, BACKSHELLS, AND TOOLS