

SERIES 80 MIGHTY MOUSE CONNECTORS Accessories, Backshells, and Tools



Series 800, 801, 803, 804, and 805 Rotatable Coupling, Environmental Saddle Clamp Backshell



Rotatable coupling environmental backshell features silicone o-rings for a watertight seal. Thread-on saddle bar clamp for strain relief of wire bundles or compression nut for sealing of jacketed cables. Backshell is available in straight, 45° and 90° angles and features a rotatable coupling for greater control over cable routing.

How To Order	
Sample Part Number	370MS038 C 10 05- 6 N
Backshell Profile (See Table III)	370MS038 = Straight Entry 370MB038 = 45° Entry 370MA038 = 90° Entry
Shell Material and Finish	M = Aluminum / Electroless Nickel NF = Aluminum / Cadmium with Olive Drab ZU = Aluminum / Zinc-Nickel with Olive Drab Chromate ZNU = Aluminum / Zinc-Nickel with Black Chromate MT = Aluminum / Nickel-PTFE Z1 = Stainless Steel / Passivated
Size Code	05, 06, 11, 07, 08, 09, 10, 12, 13, 14, 16, 17; (See Table I)
Cable Entry Code	01, 02, 03, 04, 05, 06, 07, 08, 09, 10, 11, 12, 13; (See Table II)
Length	Applies Symbol S, Straight only. Specify length in 1/8 inch increments (e.g. 6 = .75 inches). See Table I for standard lengths.
Clamp Style	Omit = screw clamp with saddle bars N = Compression Nut, Low Profile; (Table IV)

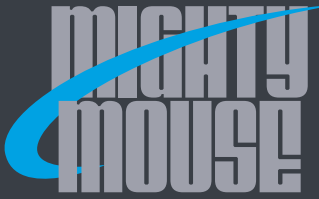
Size Code	Shell Size Ref		A Thread Class -2B	B Max.	Std Length
	800/801 803/804	805			
05	5	N/A	1/4 - 32 UNEF	.470 (11.94)	.75 (19.05)
06	6	N/A	5/16 - 32 UNEF	.530 (13.46)	.75 (19.05)
11	N/A	8	3/8 - 32 UNEF	.570 (14.48)	.75 (19.05)
07	7	9	7/16 - 28 UNEF	.637 (16.18)	.75 (19.05)
08	8	10	1/2 - 28 UNEF	.700 (17.78)	.75 (19.05)
09	9	11	9/16 - 24 UNEF	.758 (19.25)	.75 (19.05)
10	10	12	5/8 - 24 UNEF	.819 (20.80)	.75 (19.05)
12	11, 12, 13	13	11/16 - 24 UNEF	.896 (22.76)	.88 (22.35)
13	N/A	15	3/4 - 20 UNEF	.930 (23.62)	.88 (22.35)
14	14, 15, 16, 17	18/19	15/16 - 20 UNEF	1.137 (28.88)	1.00 (25.40)
16	19	21	1 1/16 - 18 UNEF	1.230 (31.24)	1.00 (25.40)
17	21	23	1 3/16 - 18 UNEF	1.387 (35.23)	1.13 (28.70)

370MS038 Symbol S Straight Entry	370MB038 Symbol B 45° Entry	370MA038 Symbol A 90° Entry

N Compression Nut	Omit Thread-On Clamp with Saddle Bar

NOTES

1. Minimum length is .63 Inches. See Table I for standard length.
2. Use shrink Sleeve or bushing to build cable to dia shown under saddle bars.
3. Material and Finish
 - Adapter, Clamp, Nut and Saddles: Aluminum Alloy SST
 - O-Rings: Silicone / N.A.
 - Hardware: CRES / passivated



SERIES 80 MIGHTY MOUSE CONNECTORS Accessories, Backshells, and Tools



Series 800, 801, 803, 804, and 805 Rotatable Coupling, Environmental Saddle Clamp Backshell

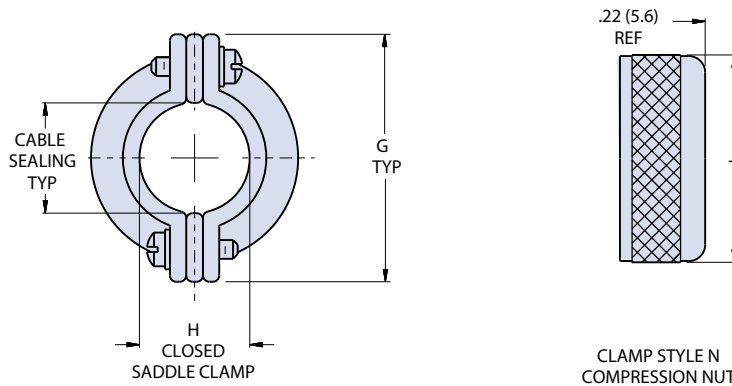
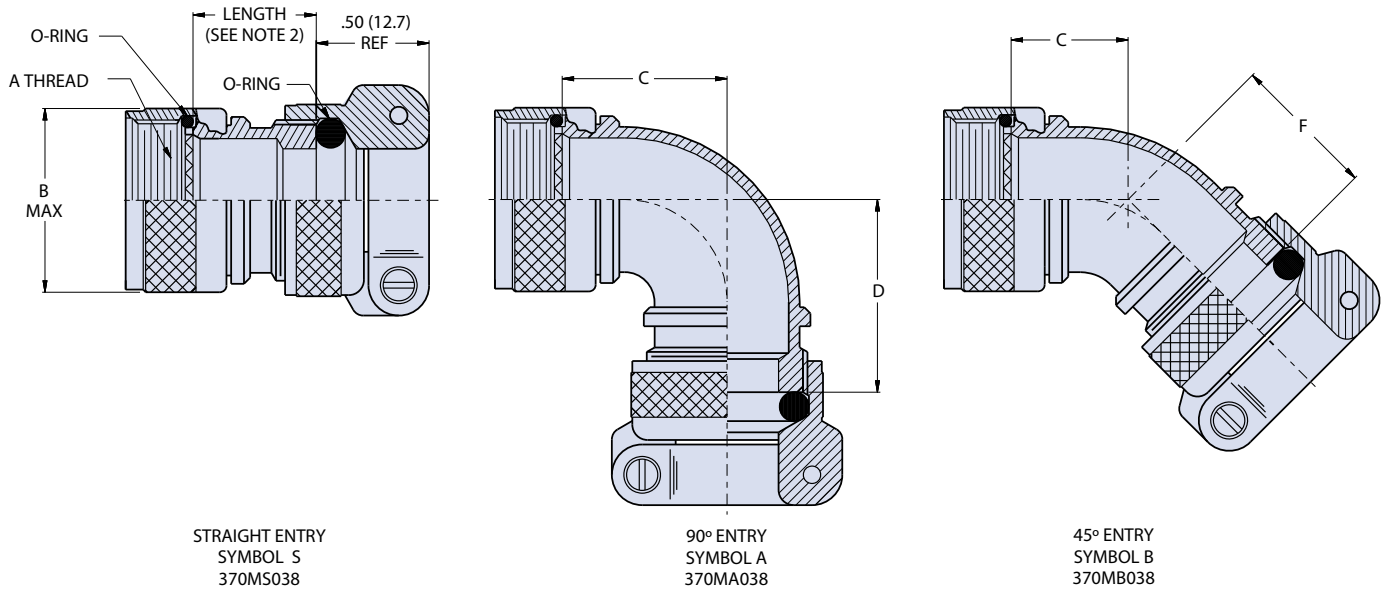


Table II: Straight, 45° and 90° Dimensions

Cable Entry Code	C Max.	D Max.	E Max.	F Max.	Cable Entry Dia.		G DIM	H DIA CLOSED	Ø J DIA.
					Max.	Min.			
01	.724 (18.39)	.702 (17.83)	.603 (15.32)	.581 (14.76)	.109 (2.77)	.031 (0.79)	.496 (12.60)	.11 (2.79)	.398 (10.11)
02	.724 (18.39)	.702 (17.83)	.603 (15.32)	.581 (14.76)	.172 (4.37)	.078 (1.98)	.582 (14.78)	.17 (4.32)	.460 (11.68)
03	.724 (18.39)	.702 (17.83)	.603 (15.32)	.581 (14.76)	.234 (5.94)	.140 (3.56)	.656 (16.66)	.23 (5.84)	.523 (13.28)
04	.786 (19.96)	.764 (19.41)	.629 (15.98)	.607 (15.42)	.297 (7.54)	.203 (5.16)	.726 (18.44)	.30 (7.62)	.585 (14.86)
05	.786 (19.96)	.764 (19.41)	.629 (15.98)	.607 (15.42)	.359 (9.12)	.265 (6.73)	.885 (22.48)	.36 (9.14)	.647 (16.43)
06	.848 (21.54)	.826 (20.98)	.655 (16.64)	.633 (16.08)	.422 (10.72)	.328 (8.33)	.952 (24.18)	.42 (10.67)	.710 (18.03)
07	.848 (21.54)	.826 (20.98)	.655 (16.64)	.633 (16.08)	.484 (12.29)	.390 (9.91)	1.018 (25.86)	.48 (12.19)	.773 (19.63)
08	.911 (23.14)	.889 (22.58)	.707 (17.96)	.685 (17.40)	.547 (13.89)	.453 (11.51)	1.084 (27.53)	.55 (13.97)	.835 (21.21)
09	.911 (23.14)	.889 (22.58)	.707 (17.96)	.685 (17.40)	.609 (15.47)	.515 (13.08)	1.148 (29.16)	.61 (15.49)	.897 (22.78)
10	.973 (24.71)	.951 (24.16)	.733 (18.62)	.711 (18.06)	.672 (17.07)	.578 (14.68)	1.211 (30.76)	.67 (17.02)	.959 (24.36)
11	.973 (24.71)	.951 (24.16)	.733 (18.62)	.711 (18.06)	.734 (18.64)	.640 (16.26)	1.273 (32.33)	.73 (18.54)	1.021 (25.93)
12	1.036 (26.31)	1.014 (25.76)	.785 (19.94)	.763 (19.38)	.859 (21.82)	.765 (19.43)	1.400 (35.56)	.86 (21.84)	1.083 (27.51)
13	1.098 (27.89)	1.076 (27.33)	.811 (20.60)	.789 (20.04)	1.00 (25.40)	.906 (23.01)	1.539 (39.09)	.99 (25.15)	1.145 (29.08)

ACCESSORIES, BACKSHELLS, AND TOOLS