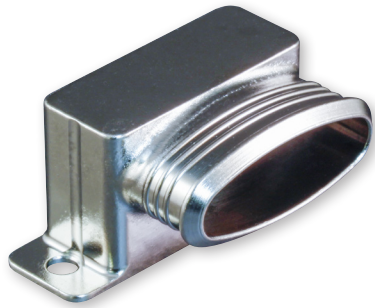


507T296 and 507S296
Top and Side Entry
EMI/RFI Elliptical Lightweight Metal Backshell
MIL-DTL-83513



EMI/RFI Elliptical Lightweight Metal Shell Backshells provides added room for larger wire bundles. Terminate cable shields with BandMaster™ ATSmicrobands. This backshell features floating male screwlocks which allow full mating of the connector before the screws are fastened.

Rugged Aluminum housing with stainless steel hardware, available in standard nickel plating, or choose optional finishes.

How To Order EMI/RFI Metal Shell Backshells

Sample Part Number	507T296	M	25	D	H	L																																	
Series	507T296 - Top Entry (Straight) 507S296 - Side Entry (90°)																																						
Finish Symbol	A - Cadmium Plate/Bright Dip B - Cadmium Plate/Olive Drab B1 - Cadmium Plate/Olive Drab Type II Class 1 J - Gold Iridite Over Cadmium Plate Over Nickel M - Electroless Nickel MT - Nickel-PTFE N - Cadmium Plate/Olive Drab Over Nickel NF - Cad/O.D. Over Electroless Nickel (1000 Hour Salt Spray) T - Cadmium Plate/Bright Dip Over Nickel Z2 - Gold Plate																																						
Shell Size	09, 15, 21, 25, 31, 37, 51, 51-2, 67, 69, 75, 100 (See Table I)																																						
Entry Code	<table border="1"> <thead> <tr> <th>Code</th> <th>G</th> <th>Available Sizes</th> </tr> </thead> <tbody> <tr> <td>A</td> <td>0.320</td> <td>09 Thru 100</td> </tr> <tr> <td>B</td> <td>0.470</td> <td>15 Thru 100</td> </tr> <tr> <td>C</td> <td>0.620</td> <td>21 Thru 100</td> </tr> <tr> <td>D</td> <td>0.720</td> <td>25 Thru 100</td> </tr> <tr> <td>E</td> <td>0.870</td> <td>31 Thru 100</td> </tr> <tr> <td>F</td> <td>0.970</td> <td>37 Thru 100</td> </tr> <tr> <td>G</td> <td>1.020</td> <td>37 & 51-2 Thru 100</td> </tr> <tr> <td>H</td> <td>1.270</td> <td>51-2 Thru 100</td> </tr> <tr> <td>J</td> <td>1.360</td> <td>51-2, 67 & 100</td> </tr> <tr> <td>K</td> <td>1.770</td> <td>67</td> </tr> </tbody> </table>						Code	G	Available Sizes	A	0.320	09 Thru 100	B	0.470	15 Thru 100	C	0.620	21 Thru 100	D	0.720	25 Thru 100	E	0.870	31 Thru 100	F	0.970	37 Thru 100	G	1.020	37 & 51-2 Thru 100	H	1.270	51-2 Thru 100	J	1.360	51-2, 67 & 100	K	1.770	67
Code	G	Available Sizes																																					
A	0.320	09 Thru 100																																					
B	0.470	15 Thru 100																																					
C	0.620	21 Thru 100																																					
D	0.720	25 Thru 100																																					
E	0.870	31 Thru 100																																					
F	0.970	37 Thru 100																																					
G	1.020	37 & 51-2 Thru 100																																					
H	1.270	51-2 Thru 100																																					
J	1.360	51-2, 67 & 100																																					
K	1.770	67																																					
Hardware Option	B - Fillister Head Jackscrew		H - Socket Head Jackscrew		F - Female Jackpost																																		
EMI Band Strap Option	Omit (Blank) - No Band		M - Uncoiled .125" Wide Band		L - Coiled .125" Wide Band																																		



Notes

1. Assembly identified with manufacture's name and P/N, space permitting.
2. See 507-297 for 45° configuration
3. Symbol 'E' extended hardware is not to be used with straight backshell at max cable entry size.

Material/Finish

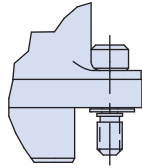
- Backshell - al alloy/see Table 2
- Hardware-crec/pasivated



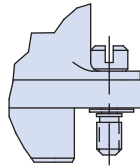
507T296 and 507S296
Top and Side Entry
EMI/RFI Elliptical Lightweight Metal Backshell
MIL-DTL-83513

Table I: Dimensions

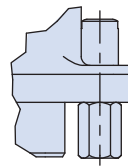
Hardware Mounting Options



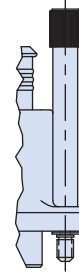
Code H
Socket Head Jackscrew



Code B
Fillister Head Jackscrew



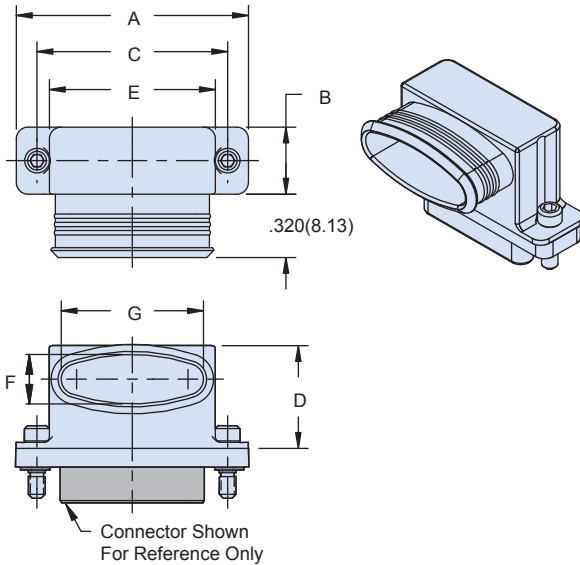
Code F
Female Jackpost



Code E
Extended Jackscrew
(See Note 2)

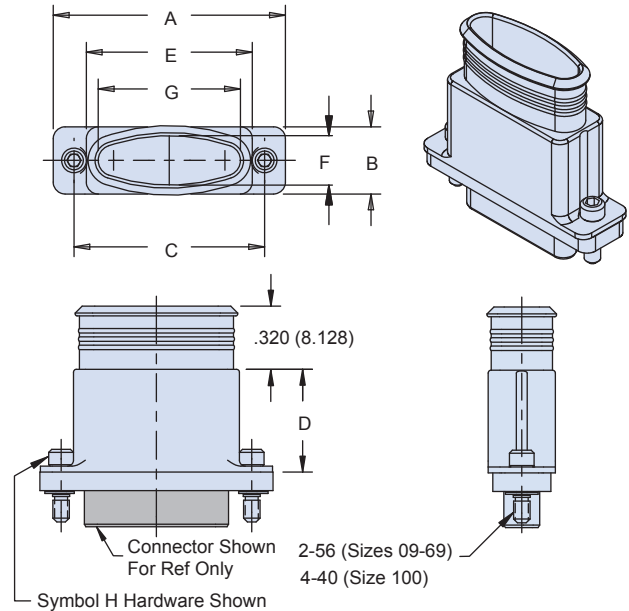
Style S

Side Entry (90°)



Style T

Top Entry (Straight)



Size	A		B		C		D		E		F		Max Entry
	in	mm	in	mm	in	mm	in	mm	in	mm	in	mm	
09	0.775	19.69	0.340	8.64	0.565	14.35	0.520	13.21	0.440	11.18	0.250	6.35	A
15	0.925	23.50	0.340	8.64	0.715	18.16	0.520	13.21	0.590	14.99	0.250	6.35	B
21	1.075	27.31	0.340	8.64	0.865	21.97	0.520	13.21	0.740	18.80	0.250	6.35	C
25	1.175	29.85	0.340	8.64	0.965	24.51	0.520	13.21	0.840	21.34	0.250	6.35	D
31	1.325	33.66	0.340	8.64	1.115	28.32	0.520	13.21	0.990	25.15	0.250	6.35	E
37	1.475	37.47	0.340	8.64	1.265	32.13	0.520	13.21	1.140	28.96	0.250	6.35	G
51	1.425	36.20	0.380	9.65	1.215	30.86	0.610	15.49	1.090	27.69	0.290	7.37	F
51-2	1.825	46.36	0.340	8.64	1.615	41.02	0.520	13.21	1.490	37.85	0.250	6.35	J
67	2.225	56.52	0.340	8.64	2.015	51.18	0.520	13.21	1.890	48.01	0.250	6.35	K
69	1.725	43.82	0.380	9.65	1.515	38.48	0.610	15.49	1.390	35.31	0.290	7.37	H
75	2.070	52.58	.380	9.65	1.705	43.30	.520	13.20	1.490	37.85	.290	7.37	H
100	2.160	54.86	0.430	10.92	1.800	45.72	0.630	16.00	1.522	38.66	0.340	8.64	J

Rev. 04.23.20