

# 179-045 Jackpost Kit 179-276 Replacement O-Ring for GHSRPM Connectors

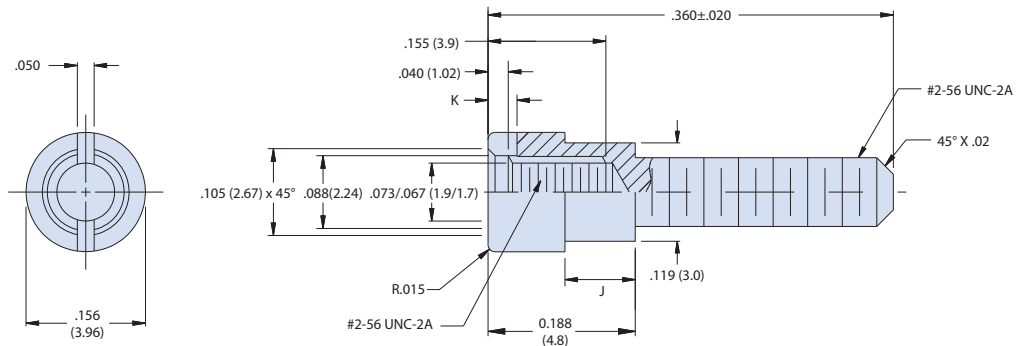


How To Order				
Part Number	Panel Thickness		J ± .003 (0.08)	K ± .005 (0.13)
	Fractional Value	Decimal Value		
179-045-2-2	1/32	.031 (0.8)	.024 (0.6)	.050 (1.3)
179-045-2-3	3/64	.047 (1.2)	.041 (1.0)	.050 (1.3)
179-045-2-4	1/16	.062 (1.6)	.055 (1.4)	.050 (1.3)
179-045-2-5	3/32	.094 (2.4)	.086 (2.2)	.050 (1.3)
179-045-2-6	1/8	.125 (3.2)	.118 (3.0)	.030 (0.8)
179-045-2-7	2/25	.080 (2.0)	.074 (1.9)	.050 (1.3)

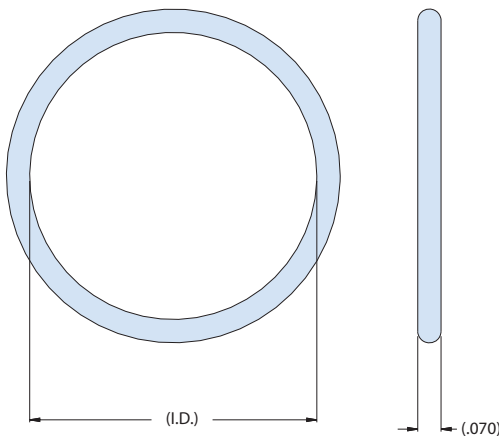
Kit consists of 2 Jackposts

### HARDWARE MATERIAL

Corrosion-Resistant Steel IAW  
ASTM-A484 and ASTM-A582



### 179-276 O-RING FOR SEALING OF PANEL MOUNT GHSRPM CONNECTORS



How To Order			
Sample Part Number	179-276	-15	-N
Series	179-276 = Replacement O-Ring for Panel Sealing of GHSRPM Connectors		
Shell Size	Table I		
Material	N - Non-Conductive (Nitrile) C - Conductive (Chomerics 1215) F - Fluorosilicone		

Table I	
Shell Size	I.D. Ref.
9	0.551 (14.00)
15	0.676 (17.17)
21	0.739 (18.77)
25	0.864 (21.95)
31	0.926 (23.52)
37	1.051 (26.70)
51-2	1.239 (31.47)
67	1.489 (37.82)