



# SERIES GHTM WELL-MASTER 260° Downhole Micro-D Connector



Insulated wire connector  
with pin or socket contacts

## GHTM PRE-WIRED CONNECTORS WITH +260°C MIL SPEC PTFE/POLYIMIDE WIRE



GHTM Well-Master™ 260° pre-wired Micro-D connectors withstand +260°C continuous operating temperature. These .050" pitch Micro-D connectors are terminated to #24 AWG insulated wire. Nickel-coated copper wire conforms to M22759/87, PTFE/polyimide insulation. Pin contacts are gold-plated high performance twistpin type and are recessed into insulator to prevent damage. Special nickel alloy contact material resists softening in high heat. Machined passivated stainless steel shell. Glass-filled high temperature LCP thermoplastic insulators. 100% hi-pot tested. Meets performance requirements of MIL-DTL-83513. Available with 9 to 51 contacts. 3 A., 600 Vac, -55°C to +260°C.

How To Order	
<b>Sample Part Number</b>	<b>GHTM</b> <b>-31</b> <b>S</b> <b>-4</b> <b>T</b> <b>1</b> <b>-18</b> <b>B</b>
<b>Series</b>	<b>GHTM</b> Glenair High Temperature Micro
<b>Shell Size</b>	<b>9, 15, 21, 25, 31, 37, 51</b> See Table II for Thru-Hole and Jackscrew Connector Dimensions and Table III for Integral Jackpost Connector Dimensions
<b>Contact Type</b>	<b>P</b> - Pin/Plug <b>S</b> - Socket/Receptacle
<b>Wire Gage (AWG)</b>	<b>4</b> - #24
<b>Wire Type</b>	<b>T</b> - PTFE/Polyimide Insulated Nickel Coated Copper
<b>Wire Color</b>	<b>1</b> - White
<b>Wire Length (Inches)</b>	<b>18</b> - Wire Length In Inches. "18" Specifies 18 Inches.
<b>Mounting Hardware</b>	<b>B</b> - Std. Thru-Hole (Ø.089/.095) <b>M</b> - Hex Head Jackscrew <b>S</b> - Slot Head Jackscrew <b>P</b> - Integral Jackpost See Mounting Hardware Table

GHTM Mounting Hardware		
<b>B</b> Std. Thru-Hole Mounting .096/.088 (2.43/2.23) Dia. (For dimensions see Table II)	<b>M and S</b> #2-56 Jackscrews Slot head (S), Hex Head (M) (For dimensions see Table II)	<b>P</b> Integral Jackpost #2-56 (For dimensions see Table III)
Pin	Pin	Pin
Socket	Socket	Socket

DOWNHOLE: WELL-MASTER® 260°



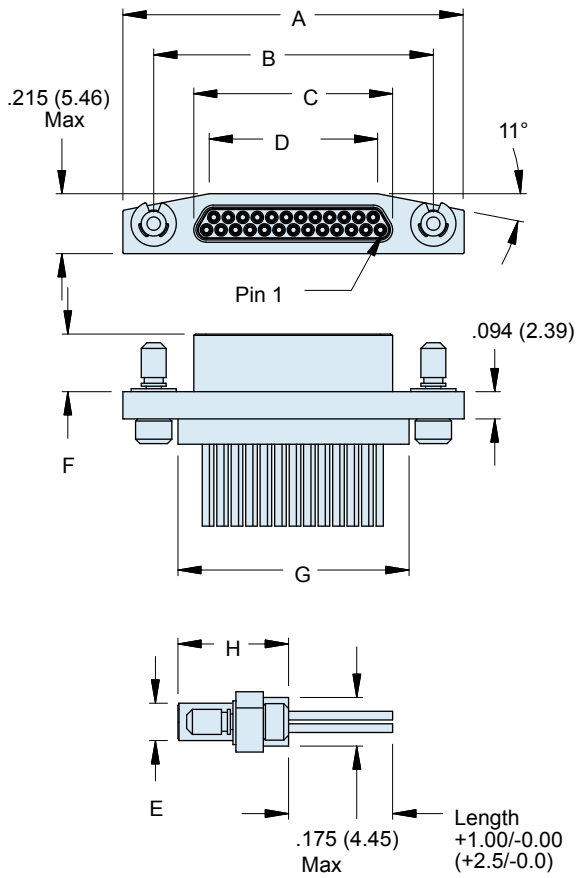


# SERIES GHTM WELL-MASTER 260° Downhole Micro-D Connector

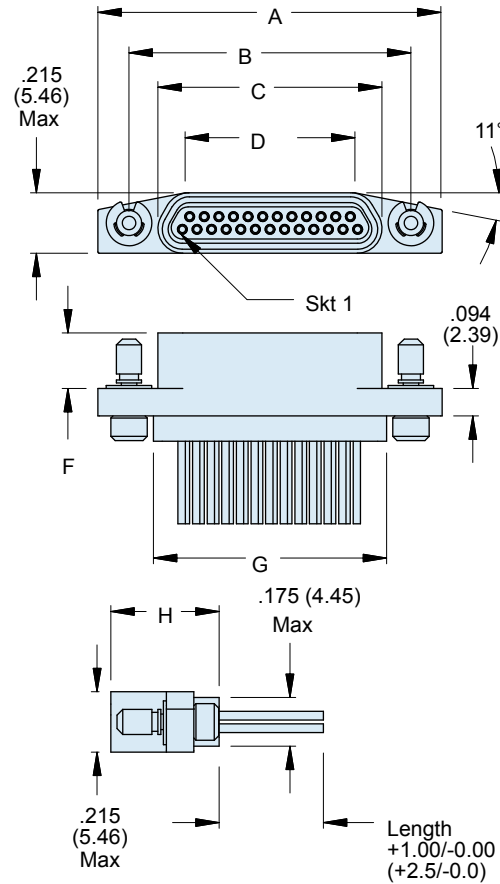


Well-Master Insulated wire plug (pin) or receptacle (socket) connector, thru-hole or jackscrew - dimensions

**Pin (Plug) Connector**



**Socket (Receptacle) Connector**



DOWNHOLE: WELL-MASTER® 260°

**GHTM Insulated Pre-Wired Dimensions for Thru-Hole or Jackscrew Version**

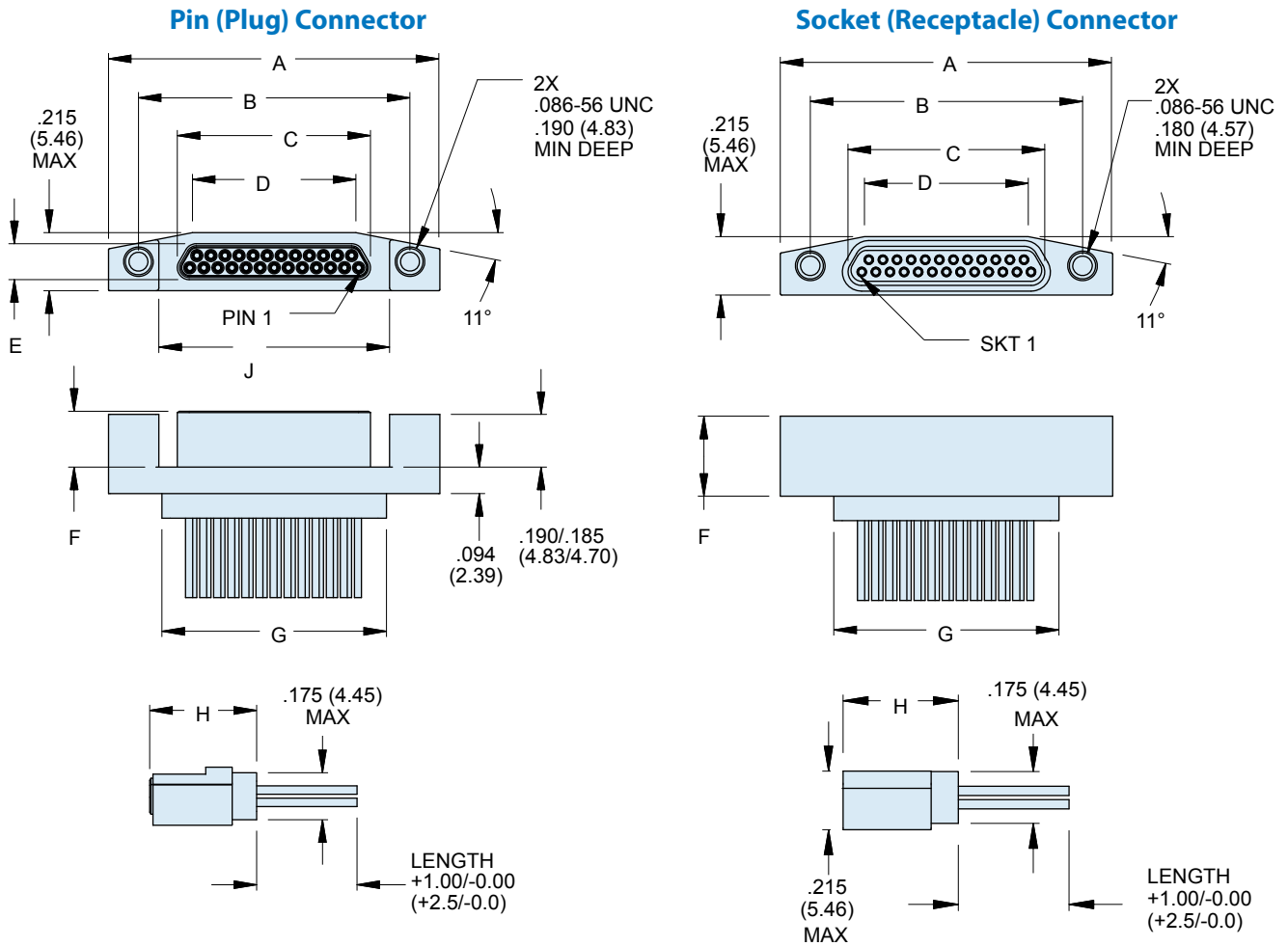
Layout	A Max.	B ± .003 (.08)	C Max.	D	E Max.	F ± .003 (.08)	G Max.	H Max.
9P	.785 (19.94)	.565 (14.35)	.290 (7.37)	.181 (4.60)	.131 (3.33)	.199 (5.05)	.405 (10.29)	.390 (9.91)
9S	.785 (19.94)	.565 (14.35)	.371 (9.42)	.181 (4.60)	.215 (5.46)	.191 (4.85)	.405 (10.29)	.377 (9.58)
15P	.935 (23.75)	.715 (18.16)	.440 (11.18)	.331 (8.41)	.131 (3.33)	.199 (5.05)	.555 (14.10)	.390 (9.91)
15S	.935 (23.75)	.715 (18.16)	.521 (13.23)	.331 (8.41)	.215 (5.46)	.191 (4.85)	.555 (14.10)	.377 (9.58)
21P	1.085 (27.56)	.865 (21.97)	.590 (14.99)	.481 (12.22)	.131 (3.33)	.199 (5.05)	.705 (17.91)	.390 (9.91)
21S	1.085 (27.56)	.865 (21.97)	.671 (17.04)	.481 (12.22)	.215 (5.46)	.191 (4.85)	.705 (17.91)	.377 (9.58)
25P	1.185 (30.10)	.965 (24.51)	.690 (17.53)	.581 (14.76)	.131 (3.33)	.199 (5.05)	.805 (20.45)	.390 (9.91)
25S	1.185 (30.10)	.965 (24.51)	.771 (19.58)	.581 (14.76)	.215 (5.46)	.191 (4.85)	.805 (20.45)	.377 (9.58)
31P	1.335 (33.91)	1.115 (28.32)	.840 (21.34)	.731 (18.57)	.131 (3.33)	.199 (5.05)	.955 (24.26)	.390 (9.91)
31S	1.335 (33.91)	1.115	.921 (23.39)	.731 (18.57)	.215 (5.46)	.191 (4.85)	.955 (24.26)	.377 (9.58)
37P	1.485 (37.72)	1.265 (32.13)	.990 (25.15)	.881 (22.38)	.131 (3.33)	.199 (5.05)	1.105 (28.07)	.390 (9.91)
37S	1.485 (37.72)	1.265 (32.13)	1.071 (27.20)	.881 (22.38)	.215 (5.46)	.191 (4.85)	1.105 (28.07)	.377 (9.58)
51P	1.435 (36.45)	1.215 (30.86)	.940 (23.88)	.831 (21.11)	.178 (4.52)	.195 (4.95)	1.055 (26.80)	.350 (8.89)
51S	1.435 (36.45)	1.215 (30.86)	.951 (24.16)	.831 (21.11)	186 (4724.40)	.274 (6.96)	1.055 (26.80)	.377 (9.58)



# SERIES GHTM WELL-MASTER 260° Downhole Micro-D Connector



Well-Master Insulated wire plug (pin) or receptacle (socket) connector, integral jackpost - dimensions



**GHTM Insulated Pre-Wired Dimensions for Integral Jackpost Version**

Layout	A Max.	B ±.003 (.08)	C Max.	D	E Max.	F ±.003 (.08)	G Max.	H Max.	J
9P	.785 (19.94)	.565 (14.35)	.290 (7.37)	.181 (4.60)	.131 (3.33)	.199 (5.05)	.405 (10.29)	.390 (9.91)	.420 (10.67)
9S	.785 (19.94)	.565 (14.35)	.301 (7.65)	.181 (4.60)	.215 (5.46)	.274 (6.96)	.405 (10.29)	.377 (9.58)	N/A
15P	.935 (23.75)	.715 (18.16)	.440 (11.18)	.331 (8.41)	.131 (3.33)	.199 (5.05)	.555 (14.10)	.390 (9.91)	.570 (14.48)
15S	.935 (23.75)	.715 (18.16)	.451 (11.46)	.331 (8.41)	.215 (5.46)	.274 (6.96)	.555 (14.10)	.377 (9.58)	N/A
21P	1.085 (27.56)	.865 (21.97)	.590 (14.99)	.481 (12.22)	.131 (3.33)	.199 (5.05)	.705 (17.91)	.390 (9.91)	.720 (18.29)
21S	1.085 (27.56)	.865 (21.97)	.601 (15.27)	.481 (12.22)	.215 (5.46)	.274 (6.96)	.705 (17.91)	.377 (9.58)	N/A
25P	1.185 (30.10)	.965 (24.51)	.690 (17.53)	.581 (14.76)	.131 (3.33)	.199 (5.05)	.805 (20.45)	.390 (9.91)	.820 (20.83)
25S	1.185 (30.10)	.965 (24.51)	.701 (17.81)	.581 (14.76)	.215 (5.46)	.274 (6.96)	.805 (20.45)	.377 (9.58)	N/A
31P	1.335 (33.91)	1.115 (28.32)	.840 (21.34)	.731 (18.57)	.131 (3.33)	.199 (5.05)	.955 (24.26)	.390 (9.91)	.970 (24.64)
31S	1.335 (33.91)	1.115 (28.32)	.851 (21.62)	.731 (18.57)	.215 (5.46)	.274 (6.96)	.955 (24.26)	.377 (9.58)	N/A
37P	1.485 (37.72)	1.265 (32.13)	.990 (25.15)	.881 (22.38)	.131 (3.33)	.199 (5.05)	1.11 (28.19)	.390 (9.91)	1.120 (28.45)
37S	1.485 (37.72)	1.265 (32.13)	1.001 (25.43)	.881 (22.38)	.215 (5.46)	.274 (6.96)	1.11 (28.19)	.377 (9.58)	N/A
51P	1.435 (36.45)	1.215 (30.86)	.940 (23.88)	.831 (21.11)	.178 (4.52)	.195 (4.95)	1.06 (26.92)	.350 (8.89)	1.07 (27.18)
51S	1.435 (36.45)	1.215 (30.86)	.951 (24.16)	.831 (21.11)	.186 (4.72)	.274 (6.96)	1.06 (26.92)	.377 (9.58)	N/A

DOWNHOLE: WELL-MASTER® 260°

