

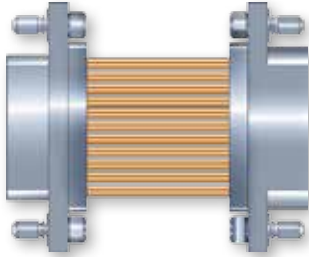


# SERIES GHTM WELL-MASTER 260° Downhole Micro-D Connector

## Back-to-back cable assemblies



### GHTM BACK-TO-BACK CONNECTORS WITH +260°C MIL SPEC PTFE/POLYIMIDE WIRE



GHTM Well-Master® 260° back-to-back Micro-D cable assemblies withstand +260°C continuous operating temperature. These .050" pitch Micro-D connectors are terminated to #24 AWG insulated wire. Nickel-coated copper wire conforms to M22759/87, PTFE/polyimide insulation. Pin contacts are gold-plated high performance twistpin type and are recessed into insulator to prevent damage. Special nickel alloy contact material resists softening in high heat. Machined passivated stainless steel shell. Glass-filled high temperature LCP thermoplastic insulators. Meets performance requirements of MIL-DTL-83513. Available with 9 to 51 contacts. 3 A., 600 Vac, -55°C to +260°C.

DOWNHOLE: WELL-MASTER® 260°

How To Order	
<b>Sample Part Number</b>	<b>GHTM -31 GS -6 T 1 -18 B</b>
<b>Series</b>	<b>GHTM</b> Glenair High Temperature Micro-D
<b>Shell Size</b>	<b>9, 15, 21, 25, 31, 37, 51</b> See Thru-Hole and Jackscrew Dimensions Table or Integral Jackpost Dimensions Table
<b>Contact Type</b>	<b>GP</b> - Pin Connector Both Ends <b>GS</b> - Socket Connector Both Ends <b>CS</b> - Pin Connector to Socket Connector
<b>Wire Gage (AWG)</b>	<b>4</b> - #24
<b>Wire Type</b>	<b>T</b> - PTFE/Polyimide Insulated Nickel Coated Copper
<b>Wire Color</b>	<b>1</b> - White
<b>Wire Length (Inches)</b>	<b>18</b> - Wire length in Inche (2" minimum for 2 rows, 3" minimum for 3 rows)
<b>Mounting Hardware</b>	<b>B</b> - Std. Thru-Hole <b>M</b> - Hex Head Jackscrew <b>S</b> - Slot Head Jackscrew <b>P</b> - Integral Jackpost (See Mounting Hardware Table)

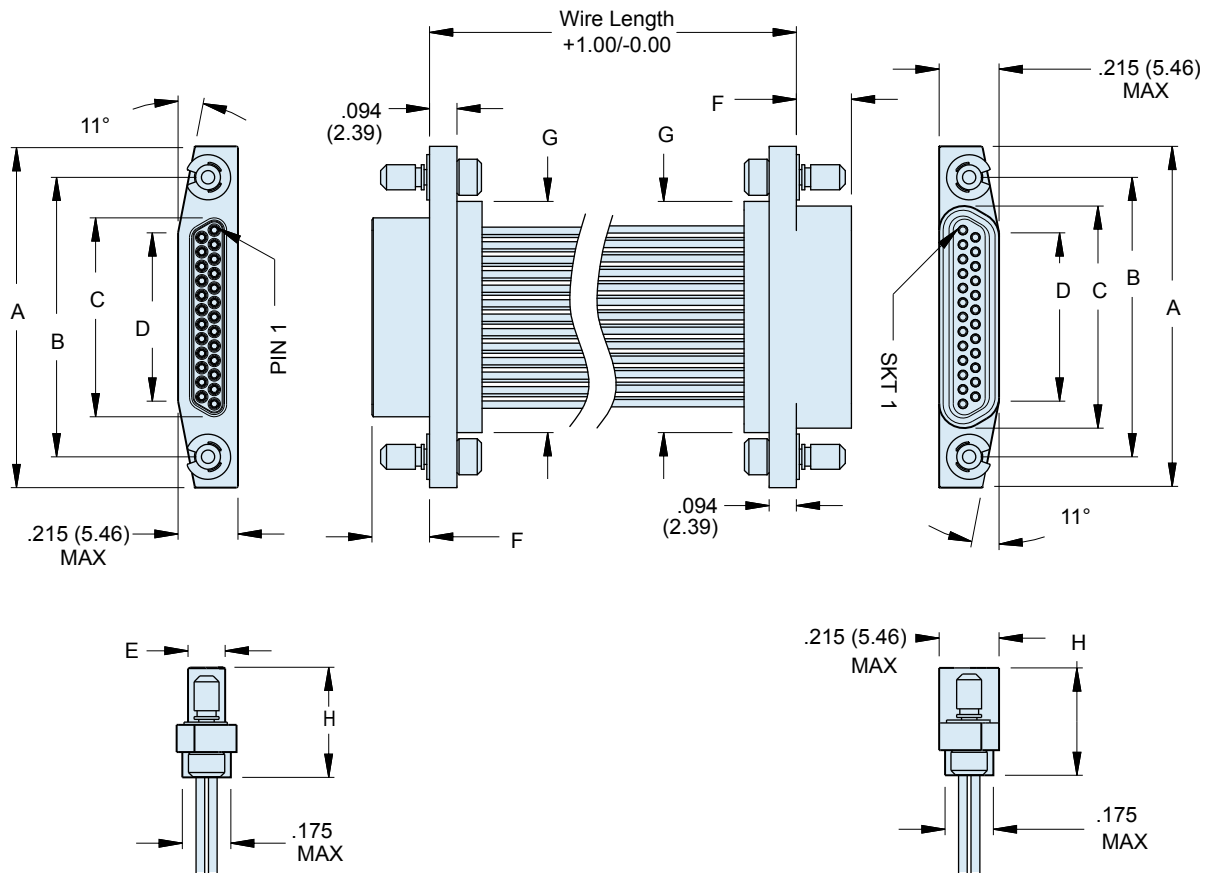
GHTM Mounting Hardware		
<b>B</b> Std. Thru-Hole Mounting .096/.088 (2.43/2.23) Dia. (For dimensions see Table II)	<b>M and S</b> #2-56 Jackscrews Slot head (S), Hex Head (M) (For dimensions see Table II)	<b>P</b> Integral Jackpost #2-56 (For dimensions see Table III)
Pin	Pin	Pin
Socket	Socket	Socket



# SERIES GHTM WELL-MASTER 260° Downhole Micro-D Connector



Back-to-back cable assemblies, thru-hole and jackscrew - dimensions



**GHTM Back-To-Back Dimensions for Thru-Hole and Jackscrew Versions**

Shell Size	A Max.	B ±.003 (±.08)	C Max.	D	E Max.	F ±.003 (±.08)	G Max.	H Max.
9P	.785 (19.94)	.565 (14.35)	.290 (7.37)	.181 (4.60)	.131 (3.33)	.199 (5.05)	.405 (10.29)	.390 (9.91)
9S	.785 (19.94)	.565 (14.35)	.371 (9.42)	.181 (4.60)	.215 (5.46)	.191 (4.85)	.405 (10.29)	.377 (9.58)
15P	.935 (23.75)	.715 (18.16)	.440 (11.18)	.331 (8.41)	.131 (3.33)	.199 (5.05)	.555 (14.10)	.390 (9.91)
15S	.935 (23.75)	.715 (18.16)	.521 (13.23)	.331 (8.41)	.215 (5.46)	.191 (4.85)	.555 (14.10)	.377 (9.58)
21P	1.085 (27.56)	.865 (21.97)	.590 (14.99)	.481 (12.22)	.131 (3.33)	.199 (5.05)	.705 (17.91)	.390 (9.91)
21S	1.085 (27.56)	.865 (21.97)	.671 (17.04)	.481 (12.22)	.215 (5.46)	.191 (4.85)	.705 (17.91)	.377 (9.58)
25P	1.185 (30.10)	.965 (24.51)	.690 (17.53)	.581 (14.76)	.131 (3.33)	.199 (5.05)	.805 (20.45)	.390 (9.91)
25S	1.185 (30.10)	.965 (24.51)	.771 (19.58)	.581 (14.76)	.215 (5.46)	.191 (4.85)	.805 (20.45)	.377 (9.58)
31P	1.335 (33.91)	1.115 (28.32)	.840 (21.34)	.731 (18.57)	.131 (3.33)	.199 (5.05)	.955 (24.26)	.390 (9.91)
31S	1.335 (33.91)	1.115 (28.32)	.921 (23.39)	.731 (18.57)	.215 (5.46)	.191 (4.85)	.955 (24.26)	.377 (9.58)
37P	1.485 (37.72)	1.265 (32.13)	.990 (25.15)	.881 (22.38)	.131 (3.33)	.199 (5.05)	1.105 (28.07)	.390 (9.91)
37S	1.485 (37.72)	1.265 (32.13)	1.071 (27.20)	.881 (22.38)	.215 (5.46)	.191 (4.85)	1.105 (28.07)	.377 (9.58)
51P	1.435 (36.45)	1.215 (30.86)	.940 (23.88)	.831 (21.11)	.178 (4.52)	.195 (4.95)	1.055 (26.80)	.350 (8.89)
51S	1.435 (36.45)	1.215 (30.86)	.951 (24.16)	.831 (21.11)	.186 (4.72)	.274 (6.96)	1.055 (26.80)	.377 (9.58)

DOWNHOLE: WELL-MASTER® 260°

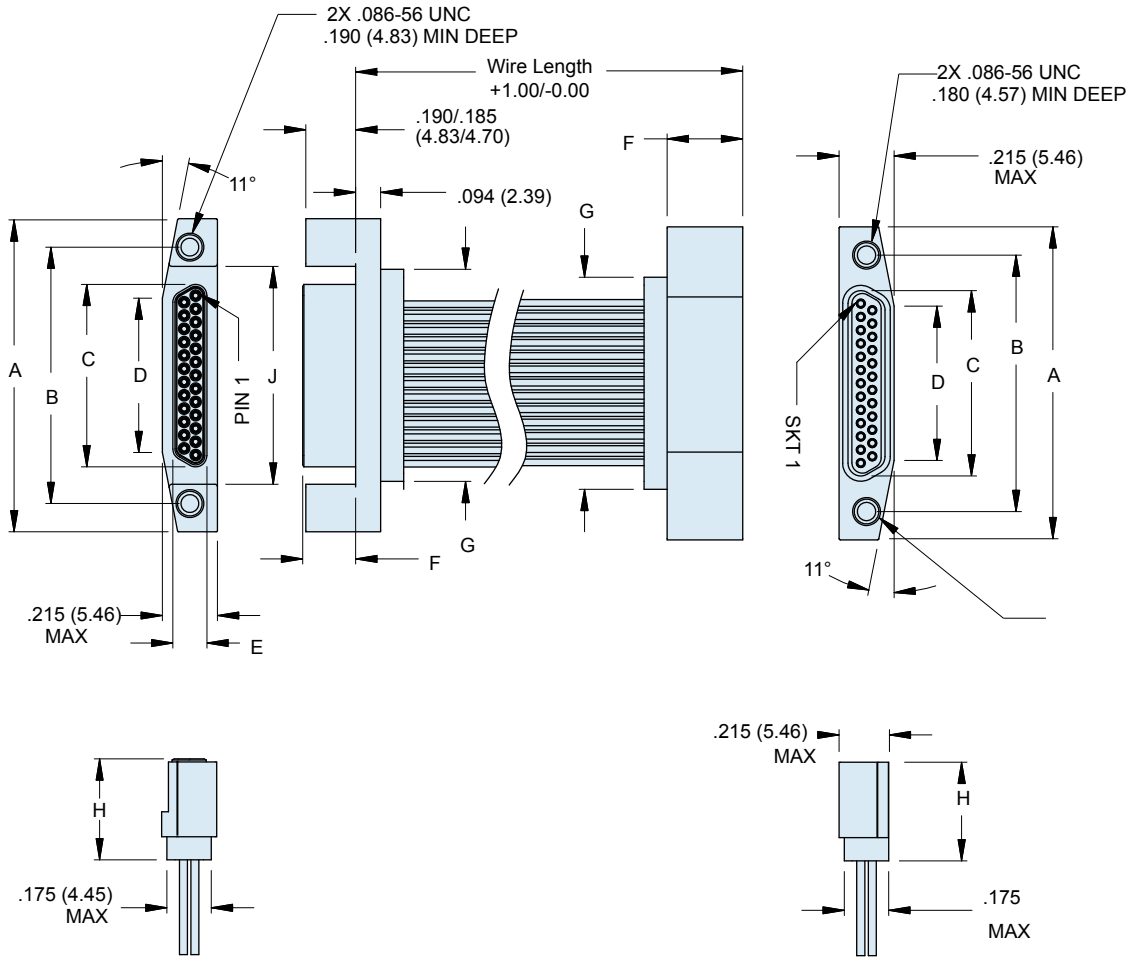




# SERIES GHTM WELL-MASTER 260° Downhole Micro-D Connector



Well-Master Back-to-back cable assemblies, integral jackpost dimensions



DOWNHOLE: WELL-MASTER® 260°

**GHTM Back-To-Back Dimensions for Integral Jackpost Versions**

Layout	A Max.	B ± .003 (±.08)	C Max.	D	E Max.	F ± .003 (±.08)	G Max.	H Max.	J
9P	.785 (19.94)	.565 (14.35)	.290 (7.37)	.181 (4.60)	.131 (3.33)	.199 (5.05)	.405 (10.29)	.390 (9.91)	.420 (10.67)
9S	.785 (19.94)	.565 (14.35)	.301 (7.65)	.181 (4.60)	.215 (5.46)	.274 (6.96)	.405 (10.29)	.377 (9.58)	N/A
15P	.935 (23.75)	.715 (18.16)	.440 (11.18)	.331 (8.41)	.131 (3.33)	.199 (5.05)	.555 (14.10)	.390 (9.91)	.570 (14.48)
15S	.935 (23.75)	.715 (18.16)	.451 (11.46)	.331 (8.41)	.215 (5.46)	.274 (6.96)	.555 (14.10)	.377 (9.58)	N/A
21P	1.085 (27.56)	.865 (21.97)	.590 (14.99)	.481 (12.22)	.131 (3.33)	.199 (5.05)	.705 (17.91)	.390 (9.91)	.720 (18.29)
21S	1.085 (27.56)	.865 (21.97)	.601 (15.27)	.481 (12.22)	.215 (5.46)	.274 (6.96)	.705 (17.91)	.377 (9.58)	N/A
25P	1.185 (30.10)	.965 (24.51)	.690 (17.53)	.581 (14.76)	.131 (3.33)	.199 (5.05)	.805 (20.45)	.390 (9.91)	.820 (20.83)
25S	1.185 (30.10)	.965 (24.51)	.701 (17.81)	.581 (14.76)	.215 (5.46)	.274 (6.96)	.805 (20.45)	.377 (9.58)	N/A
31P	1.335 (33.91)	1.115 (28.32)	.840 (21.34)	.731 (18.57)	.131 (3.33)	.199 (5.05)	.955 (24.26)	.390 (9.91)	.970 (24.64)
31S	1.335 (33.91)	1.115 (28.32)	.851 (21.62)	.731 (18.57)	.215 (5.46)	.274 (6.96)	.955 (24.26)	.377 (9.58)	N/A
37P	1.485 (37.72)	1.265 (32.13)	.990 (25.15)	.881 (22.38)	.131 (3.33)	.199 (5.05)	1.105 (28.07)	.390 (9.91)	1.120 (28.45)
37S	1.485 (37.72)	1.265 (32.13)	1.001 (25.43)	.881 (22.38)	.215 (5.46)	.274 (6.96)	1.105 (28.07)	.377 (9.58)	N/A
51P	1.435 (36.45)	1.215 (30.86)	.940 (23.88)	.831 (21.11)	.178 (4.52)	.195 (4.95)	1.055 (26.80)	.350 (8.89)	1.07 (27.18)
51S	1.435 (36.45)	1.215 (30.86)	.951 (24.16)	.831 (21.11)	.186 (4.72)	.274 (6.96)	1.055 (26.80)	.377 (9.58)	N/A