



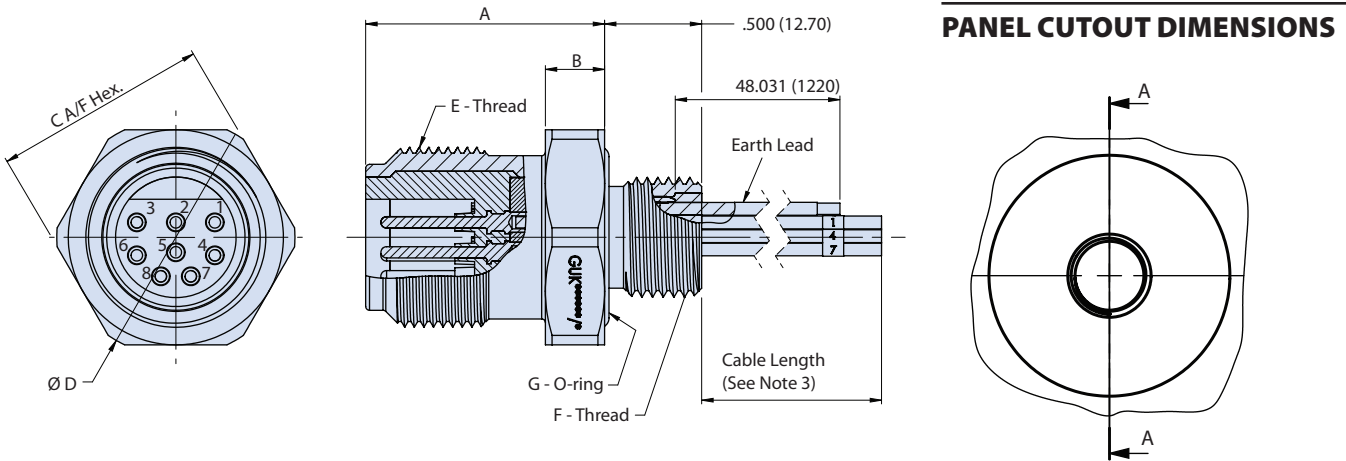
10K PSI / 700 BAR / 7000M SuperG55™ High-Pressure Subsea



G55 07 bulkhead connector receptacle with earth lead/ground pin (BCR-EL)



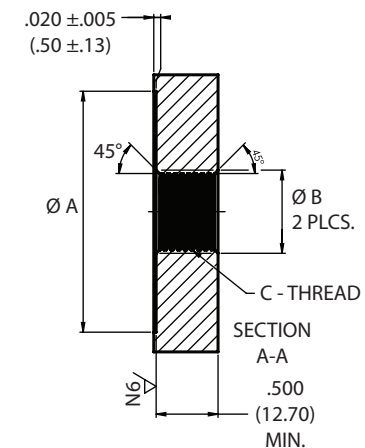
| SuperG55™ BCR with Earth Lead - How To Order | | | | | | |
|--|--|-----------|-----------|-----------|--------------|-----------|
| Sample Part Number | G55 | 07 | 15 | 08 | -0001 | EL |
| Series | SuperG55™ = Underwater dry-mate | | | | | |
| Connector Style | 07 = Bulkhead connector receptacle | | | | | |
| Shell Size | 15, 20, 24 | | | | | |
| Number of Contacts | See contact arrangements (page 23) | | | | | |
| Cable Length | In feet (0001 = 1 foot, 0002 = 2 feet, etc.) | | | | | |
| Earth Lead | EL = Earth lead (ground pin) | | | | | |



| Dimensions | | | | | | | |
|------------|---------------------------|---------------------------|-----------------------|---------------------------|-----------------------|---------------------|------------|
| Shell Size | Dim A 0.26 (0.010") | Dim B 0.39 (0.015") | Dim C .13 (0.005") | Dim D 0.13 (0.005") | E - Thread | F - Thread | G - O Ring |
| 15 | 1.250 (31.75) | .314 (7.98) | 1.120 (28.45) | 1.250 (31.75) | 15/16"-20 UNEF-2A | 5/8"-18 UNF-2A | BS1806-116 |
| 20 | 1.500 (38.10) | .374 (9.50) | 1.250 (31.75) | 1.398 (35.51) | 1 1/4"-9 STUB ACME | 3/4"-16 UNF-2A | BS1806-118 |
| 24 | 1.500 (38.10) | .374 (9.50) | 1.500 (38.10) | 1.700 (43.18) | 1 1/2"-9 STUB ACME | 1.000"-14 UNS-2A | BS1806-122 |

NOTES

- 1508 Pin configuration shown. Other pin configurations available
- All contacts / pin configurations suit 16 AWG wire
- Cable length tolerance:
 - Length = ≤ 0.30M (1ft) tolerance = +25mm / -0mm (+1" / -0)
 - Length = 0.3M - 1.5M (1ft - 5ft) tolerance = +50mm / -0mm (+2" / -0)
 - Length = 1.5M - 3M (5ft - 10ft) tolerance = +100mm / -0mm (+4" / -0)
 - Length = 3M - 7.5M (10ft - 25ft) tolerance = +150mm / -0mm (+6" / -0)
 - Length = ≥ 7.5M (25ft) tolerance = +5% / -0mm



SUBSEA/DEEPWATER: SUPERG55™

