



**DEEP  
WATER**

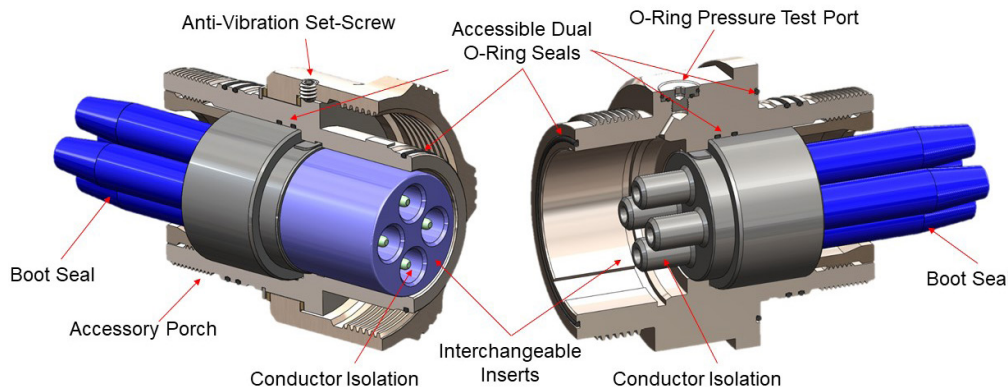
# SeaKing™ Power

## 1–6.6kV connectors for deep sea oil & gas primary power junctions



**G**lenair's SeaKing Power connector family is rated to 10K PSI in open-face or mated condition. These high-voltage (1–6.6kV) and high-amperage (up to 350 Amps) solder cup contact connectors are ready for immediate deployment in overmolded or PBOF configurations for primary power junction applications. Test reports available upon request. A range of shell sizes and contact inserts are available.

- API 16D and 17E-compliant test ports
- Fully redundant dual O-ring sealing
- Indexable flange or threaded bulkhead designs
- O-ring pressure inspection ports available on all BCR and FCR designs
- Factory acceptance testing in both mated and open-face conditions
- Keyed mating interface for mismatch prevention





HIGH VOLTAGE SUBSEA

# SeaKing™ Power connectors for underwater primary power junctions



Available configurations and applications

## CABLE CONNECTOR PLUG (CCP)



SeaKing™ Power  
API 16D and 17E-Compliant  
Cable Connector Plug (CCP)

- PBOF and overmold compatible cable connector plug
- Super duplex stainless steel or titanium construction with glass-reinforced thermoplastic insulator
- Accepts various backshell accessories
- Aggressive coupling nut knurling for easy field mating
- Inspection ports, spanner wrench holes, and coupling nut lock set screws ensure reliable foolproof performance
- Mates with SeaKing Power receptacle assemblies with similar contact arrangement
- Conductor sealing boots protect solder cup wire-to-contact terminations in the event of a flooded hose

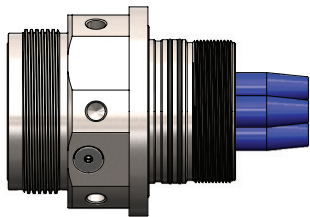
## FLANGE CONNECTOR RECEPTACLE (FCR)



SeaKing™ Power  
API 16D and 17E-Compliant  
Flange Connector Receptacle (FCR)

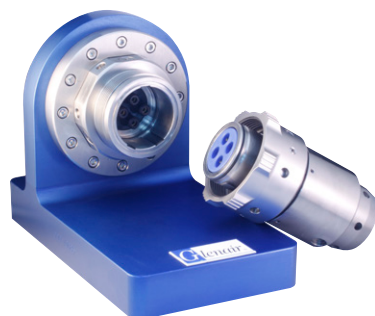
- FCR delivers 10K PSI sealing in both mated and open-face condition
- Indexable flange allows receptacle shell rotation for 360° routing flexibility of right-angle-mating cable plugs
- Available API O-ring pressure test ports ensure reliability prior to deployment to ocean floor
- Super duplex stainless steel or titanium shells for complete compatibility with mating CCP
- Wire sealing boots ensure reliable environmental protection of cable-to-connector interface

## BULKHEAD CONNECTOR RECEPTACLE (BCR)



SeaKing™ Power  
API 16D and 17E-Compliant  
Bulkhead Connector Receptacle (BCR)

- BCR is designed for direct threaded bulkhead mounting
- Supplied washer, mounting nut, and bulkhead-mate O-ring seals ensure secure sealing and grounding to equipment housing
- BCR shell equipped with both wrench flats and spanner wrench holes for convenient installation regardless of tool choice
- Available API O-ring pressure test ports ensure reliability prior to deployment
- Mates with SeaKing Power CCP with similar contact arrangement



SeaKing™ Power Performance Specifications		
Pressure Rating	Plug: 10,000 PSI, mated condition Receptacles: 10,000 PSI mated and open face	per ISO 13628-6
Electrical	1–6.6kV, 350 Amps max per contact	per MIL-STD-202, Method 301
Materials	Salt Spray (corrosion) Humidity (steady state) Thermal Cycle	MIL-STD-202, Method 101 MIL-STD-202, Method 103 ISO 13628-6
Power Ratings	3kV, 50 Amp / contact 1kV, 50 Amp / contact 1kV, 150 Amp / contact 1kV, 350 Amp / contact	P/N 700-101-48, 700-106-48 P/N 707-0065, 707-0066 P/N 707-0088, 707-0089 P/N 707-0142



# HIGH VOLTAGE SUBSEA SeaKing™ Power connectors for underwater primary power junctions



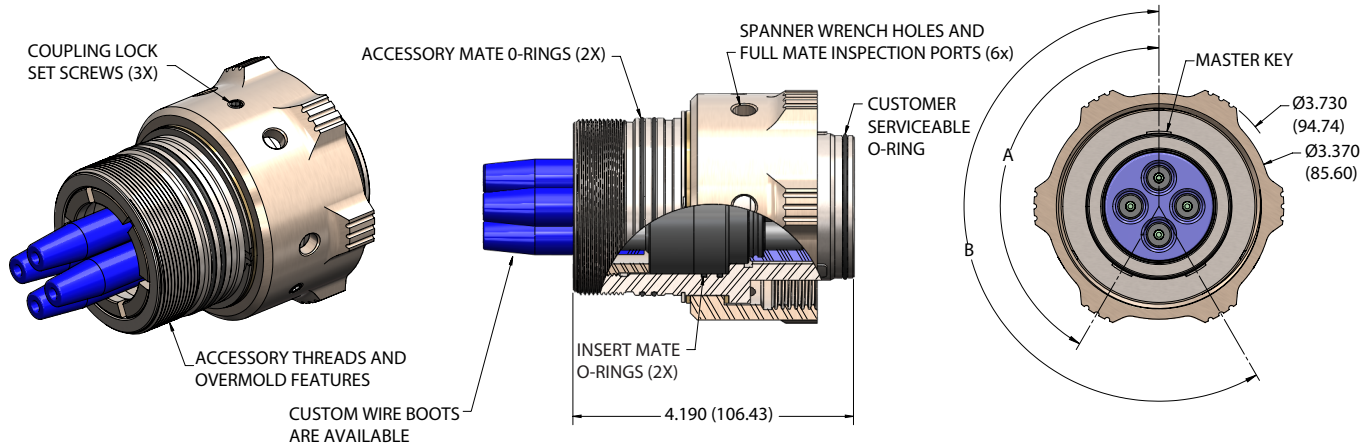
Size 48, 4-way #8 HV contacts, 3kV, 50 amps/contact

## 700-101-48 SEAKING POWER, CABLE CONNECTOR PLUG (CCP), SIZE 48, 4-WAY #8 HV CONTACTS\*

How to Order	
Sample Part Number	700-101 -48HV4 Z1 S N
Series	700-101 = cable connector plug
Shell Size / Insert Arrangement	-48HV4 = shell size 48 / layout HV4
Shell Material	Z1 = SS super duplex TC = titanium
Contact Style	P = pins S = sockets
Polarization	N = normal, A, B, C; see key positions table at right

Key Positions		
Position	A	B
N	150°	210°
A	75°	210°
B	95°	230°
C	140°	275°

\*Mates only with 700-106 BCR or FCR







# HIGH VOLTAGE SUBSEA SeaKing™ Power connectors for underwater primary power junctions



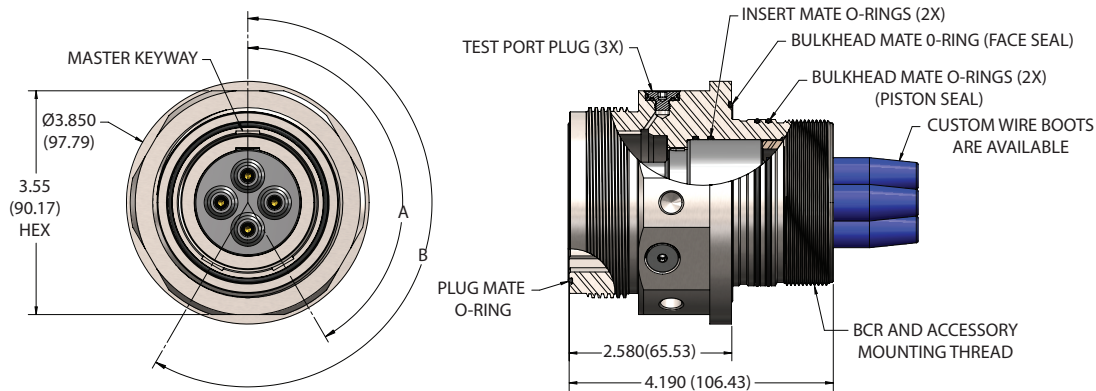
Size 48, 4-way #8 HV contacts, 3kV, 50 amps/contact

## 700-106-48 SEAKING POWER, FLANGE OR BULKHEAD CONNECTOR RECEPTACLE (FCR OR BCR), SIZE 48, 4-WAY #8 HV CONTACTS\*

How to Order	
Sample Part Number	700-106 -48HV4 Z1 S N B
Series	700-106 = bulkhead or flange connector receptacle (BCR OR FCR)
Shell Size / Insert Arrangement	-48HV4 = shell size 48 / layout HV4
Shell Material	Z1 = SS super duplex TC = titanium
Contact Style	P = pins S = sockets
Polarization	N = normal, A, B, C; see key positions table at right
Mounting Option*	B = BCR option includes bulkhead nut and washer F = FCR option and includes indexable mounting flange (fastener not included) N = None, receptacle is mountable to a threaded bulkhead
Shell Option*	API = test ports; omit for none

Key Positions		
Position	A	B
N	150°	210°
A	75°	210°
B	95°	230°
C	140°	275°

\*Mates only with 700-101 Cable Connector Plug





# HIGH VOLTAGE SUBSEA SeaKing™ Power connectors for underwater primary power junctions



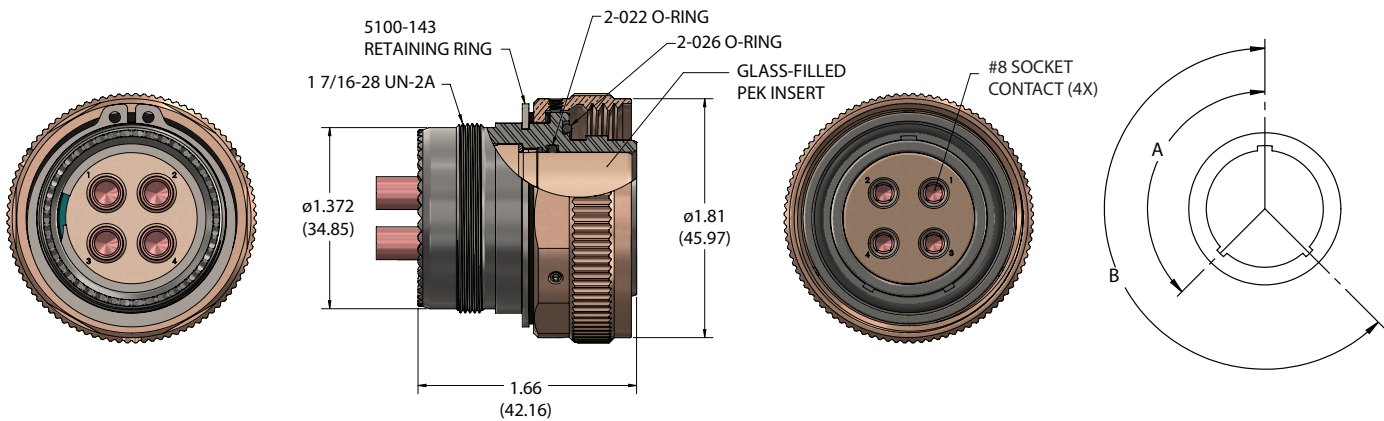
Size P, 4-way #8 HV contacts, 1kV, 50 amps/contact

## 707-0065-P4 SEAKING POWER, CABLE CONNECTOR PLUG (CCP)\*

How to Order					
Sample Part Number	707-0065	-P4	-Z1	S	N
Series	707-0065 = cable connector plug (CCP)				
Shell Size / Insert Arrangement	P4				
Shell Material	Z1 = stainless steel TC = titanium				
Contact Style	P = pin (707-0066 only) S = socket (707-0065 only)				
Polarization	N = Normal, A, B, C; see key positions table at right				

Key Positions		
Position	A	B
N	150°	210°
A	75°	210°
B	95°	230°
C	140°	275°

\*Mates only with 707-0066 BCR

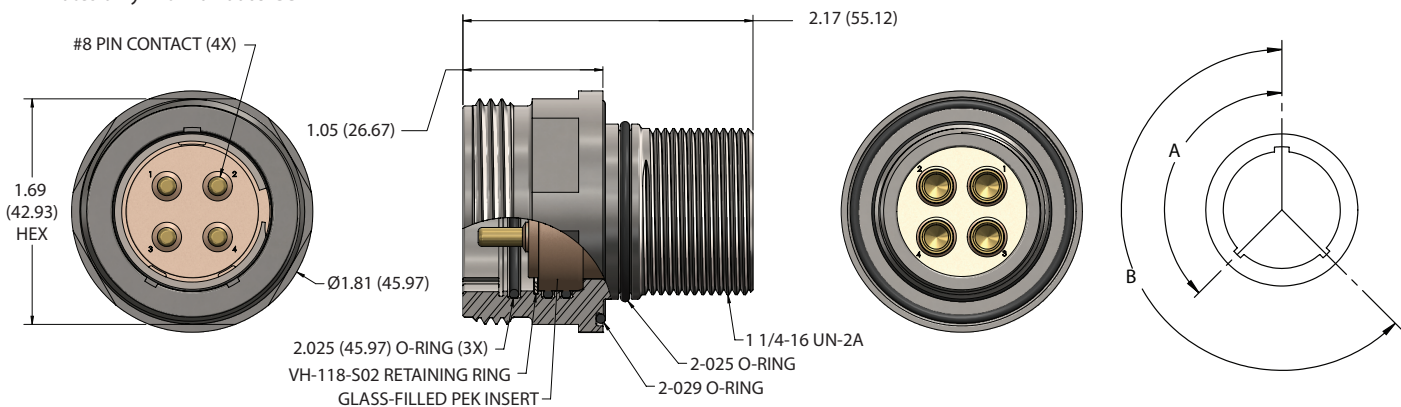


## 707-0066-P4 SEAKING POWER, BULKHEAD CONNECTOR RECEPTACLE (BCR)\*

How to Order					
Sample Part Number	707-0066	-P4	-Z1	S	N
Series	707-0066 = bulk head receptacle (BCR)				
Shell Size / Insert Arrangement	P4				
Shell Material	Z1 = stainless steel TC = titanium				
Contact Style	P = pin (707-0066 only) S = socket (707-0065 only)				
Polarization	N = Normal, A, B, C; see key positions table				

Key Positions		
Position	A	B
N	150°	210°
A	75°	210°
B	95°	230°
C	140°	275°

\*Mates only with 707-0065 CCP





# HIGH VOLTAGE SUBSEA SeaKing™ Power connectors for underwater primary power junctions



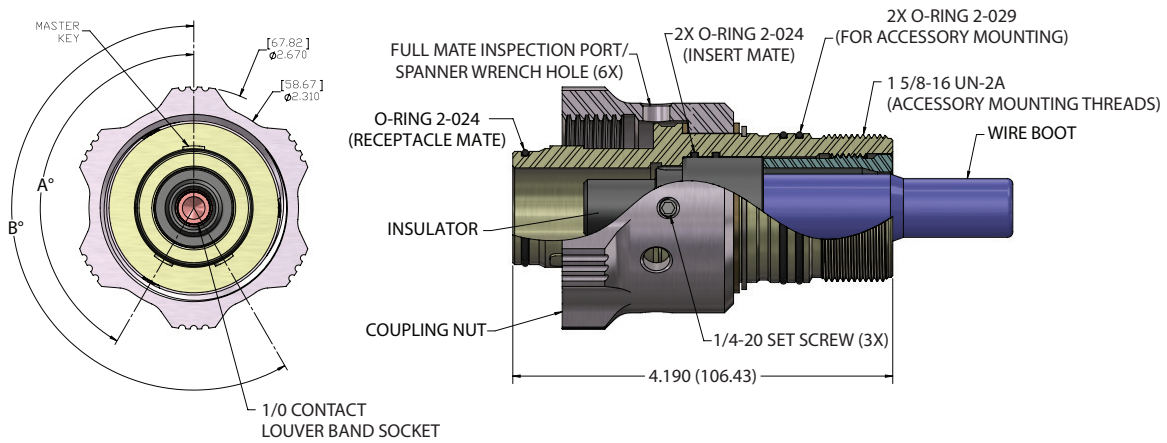
Size 32, 1-way #1/0 HV contact, 1kV, 150 amps/contact

## 707-0088 SEAKING POWER, CABLE CONNECTOR PLUG (CCP), SIZE 32, 1-WAY #1/0 HV CONTACTS\*

How to Order				
Sample Part Number	707-0088	Z1	P	N
Series	707-0088 = cable connector plug			
Shell Material	Z1 = stainless steel TC = titanium			
Contact Style	P = pin S = socket			
Polarization	N = normal, A, B, C; see key positions table at right			

Key Positions		
Position	A	B
N	150°	210°
A	75°	210°
B	95°	230°
C	140°	275°

\*Mates only with 707-0089 FCR or BCR

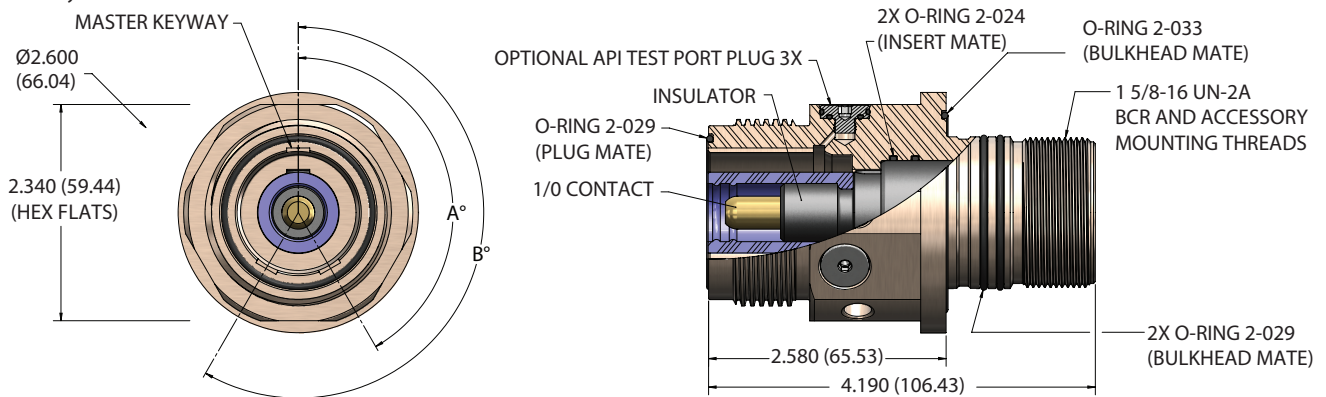


## 707-0089 SEAKING POWER, FCR/BCR, SIZE 32, 1-WAY #1/0 CONTACTS\*

How to Order						
Sample Part Number	707-0089	Z1	P	N	-N	-API
Series	707-0089 = flange connector receptacle or bulkhead connector receptacle					
Shell Material	Z1 = stainless steel TC = titanium					
Contact Style	P = pin S = socket					
Polarization	N = normal, A, B, C; see key positions table at right					
Mounting Option*	B = BCR option and includes bulkhead nut and washer F = FCR option and includes indexable mounting flange N = none, receptacle is mountable to a threaded bulkhead					
Shell Option*	API = test ports; omit for none					

Key Positions		
Position	A	B
N	150°	210°
A	75°	210°
B	95°	230°
C	140°	275°

\*Mates only with 707-0088 CCP





# HIGH VOLTAGE SUBSEA SeaKing™ Power connectors for underwater primary power junctions



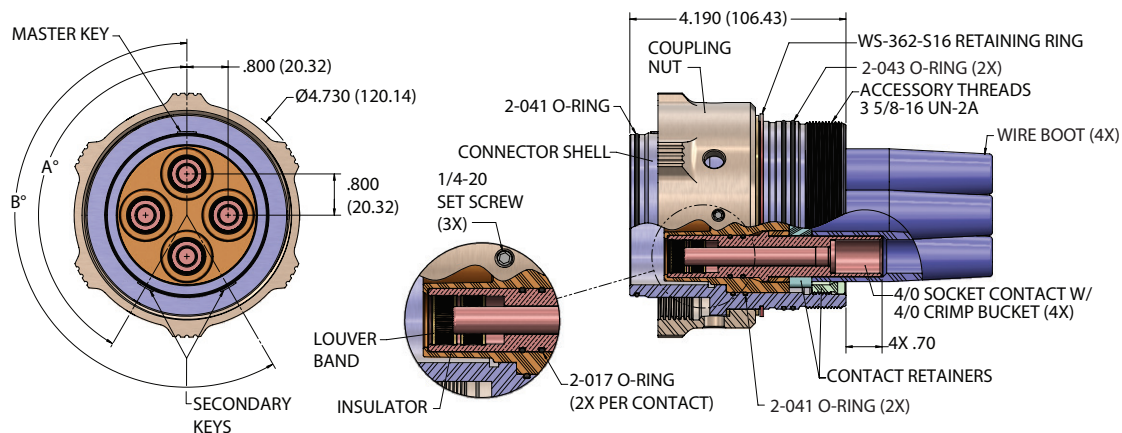
Size 64, 4-way #4/0 HV contact, 1kV, 350 amps/contact

How to Order			
Sample Part Number	707-0142	1	N
Series	707-0142 = SeaKing Power		
Connector Style	-1 = cable connector plug (CCP) -6 = flange connector receptacle (FCR) -7 = bulkhead connector receptacle (BCR)		
Key Position	N = normal, A, B, C; see key positions table		

Key Positions		
Position	A	B
N	150°	210°
A	75°	210°
B	95°	230°
C	140°	275°

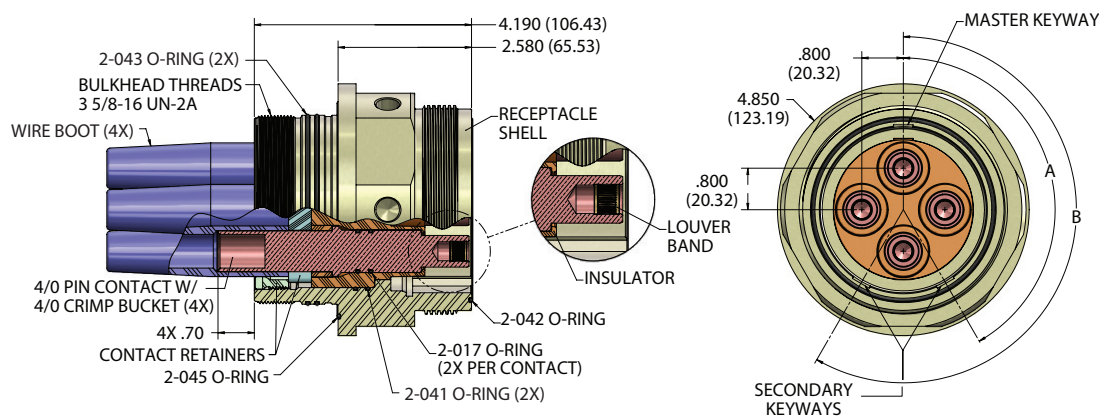
## 707-0142-1 SEAKING POWER, CABLE CONNECTOR PLUG (CCP), SIZE 64, 4-WAY #4/0 HV CONTACTS\*

\*Mates only with 707-0142-6 FCR or 707-0142-7 BCR



## 707-0142-7 SEAKING POWER, BULKHEAD CONNECTOR RECEPTACLE (BCR), SIZE 64, 4-WAY #4/0 HV CONTACTS\*

\*Mates only with 707-0142-1 CCP







# HIGH VOLTAGE SUBSEA SeaKing™ Power connectors for underwater primary power junctions



Size 64, 4-way #4/0 HV contact, 1kV, 350 amps/contact

## 707-0142-6 SEAKING POWER, FLANGE CONNECTOR RECEPTACLE (FCR), SIZE 64, 4-WAY #4/0 HV CONTACTS\*

\*Mates only with 707-0142-1 CCP

