

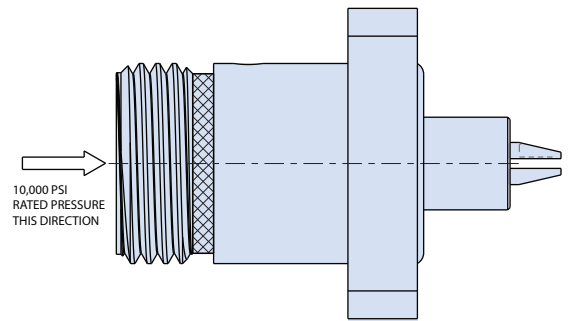
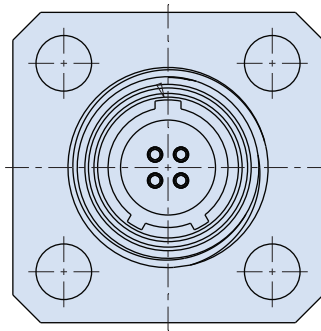
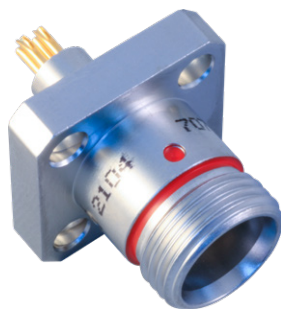
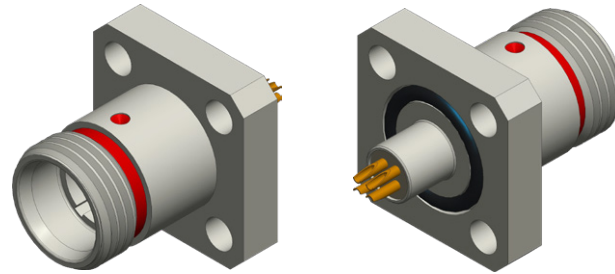


10K PSI SOLUTION Micro-PSI High-Speed, High Pressure I/I Connector Receptacles



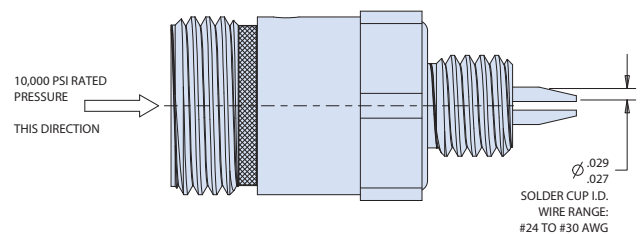
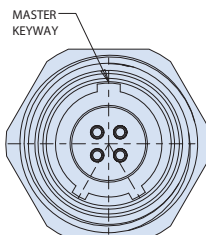
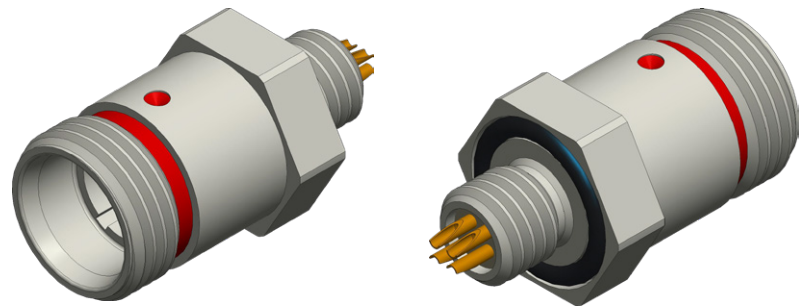
707-0264-6 MICRO-PSI FLANGE MOUNT RECEPTACLE

- 10K PSI open-face rated
- Glass-to-metal sealed, $<1 \times 10^{-7}$ scc He/sec hermeticity
- Operating temperature -20° to $+150^{\circ}$ C
- Alignment and full-mate indicators
- Ultra small form-factor
- Flying lead option available
- Mates with 707-0264-1 CCP Plugs



707-0264-7 MICRO-PSI BULKHEAD MOUNT RECEPTACLE

- 10K PSI open-face rated
- Glass-to-metal sealed, $<1 \times 10^{-7}$ scc He/sec hermeticity
- Operating temperature -20° to $+150^{\circ}$ C
- Alignment and full-mate indicators
- Flying lead option available
- Mates with 707-0264-1 CCP Plugs





10K PSI SOLUTION

Micro-PSI High-Speed, High Pressure I/I Connector



Specifications and insert arrangements

MICRO PSI HOW TO ORDER, SPECIFICATIONS, MATERIALS AND FINISHES

Micro-PSI - How To Order	
Sample Part Number	707-0264 -7 ME4 Z1 S N
Series / Basic P/N	707-0264 = Series and Basic Part Number
Connector Style	1 = CCP (Cable Connector Plug) 5 = CCR (Cable Connector Receptacle) 6 = FCR (Flange Mount Receptacle) 7 = BCR (Bulkhead Mount Receptacle)
Shell Size / Layout	ME1, ME4, ME6, MG10, MK19 (See Insert Arrangements diagram)
Shell Material	Z1 = Stainless Steel
Contact Type and Termination Style	Plugs P = Pin / Solder Cups C = Pin / PCB Terminals Receptacles S = Socket / Solder Cups D = Socket / PCB Terminals
Clocking Position	N = Normal, A, B, C (See Key and Keyway Positions table below)

Performance Ratings

Connector Pressure Ratings:
10,000 PSI (Open face receptacle)
10,000 PSI (Mated CCP)

Pressure Tested To:
10,000 PSI per ISO 13628-6

Electrical Performance:
Insulation Resistance: 1000 Megohms
at 500 VDC per EIA-364-21
Coax Performance: DC to 3 GHz
Temperature Range: -20°C to +150°C

Hermeticity:
<1 x 10⁻⁷ scc He/sec @ 1 ATM pressure
differential; receptacles only

Connector Material / Finish

Connector Shell: 316L SST / passivated
Coupling Ring: nickel bronze / None
O-rings: Viton 90 durometer / none
Contacts: nickel-iron alloy / gold over nickel
Hermetic Seal: vitreous glass / none

NOTES

- Plug connectors typically supplied as prewired factory cable assemblies with Viton® overmolding for caustic chemical resistance
- Receptacle connectors commonly supplied as prewired pigtailed or flex jumpers for direct connection to printed circuit boards and / or data drives
- High-speed Ethernet up to 1Gbps

MicroPSI Key and Keyway Positions				
Key Position	Key Rotation		Plug	Receptacle
	X°	Y°		
Normal (N)	150°	210°		
A	75°	210°		
B	95°	230°		
C	140°	275°		

INSERT ARRANGEMENTS

