

50 OHM COAX CONTACTS FOR COMBO HIPER-D CONNECTORS

These coax contacts snap into Glenair combo HiPer-D® size #8 cavities and can be removed with a plastic extraction tool. Crimp termination. 50 ohm nominal impedance, DC - 3GHz frequency range. Gold plated copper alloy, Teflon® dielectric. 1000 VAC DWV rating, 5 Amp current rating. Optional sealing boot prevents moisture ingress. *Intermateable with standard D-Subminiature size #8 socket coaxial contacts.*

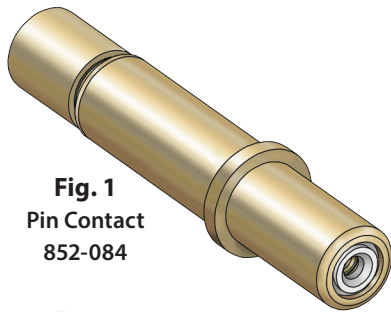


Fig. 1
Pin Contact
852-084

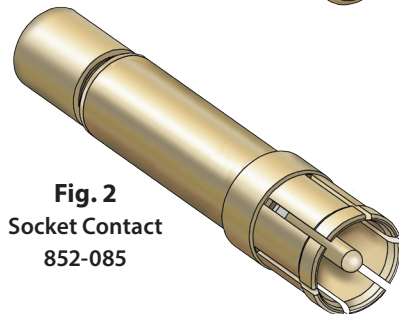


Fig. 2
Socket Contact
852-085

Fig.	Contact Type	Cable Accommodation	Part Number Contact Only	Part Number Contact and Sealing Boot
1	Pin	M17/113-RG316	852-084-01	852-084-01F
		M17/93-RG178	852-084-02	852-084-02F
		M17/152-00001 (RG316DS)	852-084-03	852-084-03F
2	Socket	M17/113-RG316	852-085-01	852-085-01F
		M17/93-RG178	852-085-02	852-085-02F
		M17/152-00001 (RG316DS)	852-085-03	852-085-03F

Material and Finish

Contact and Crimp Sleeve: Copper alloy, 50 microinches gold over nickel.

Dielectric: Teflon®

Sealing Boot: Thermoplastic and Fluorosilicone

Specifications

Impedance: 50 ohms

Frequency: DC – 3GHz

Current Rating: 5 Amps maximum

Contact Resistance: 10 milliohms

Temperature Range: -65° to + 200° C.

Dielectric Withstanding Voltage: 1000 VAC

Insulation Resistance: 5 gigohms

Tools

Crimp Tool for Inner Contact: 809-015 (M22520/2-01, Daniels AFM8)

Inner Contact Positioner: 859-099 (Daniels K264)

Hex Crimp Tool for Cable Shield: 809-129 (M22520/5-01, Daniels HX4)

Hex Die Set: 809-130 (M22520/5-03)

Insertion/Extraction Tool: 809-132 (M81969/14-04)

