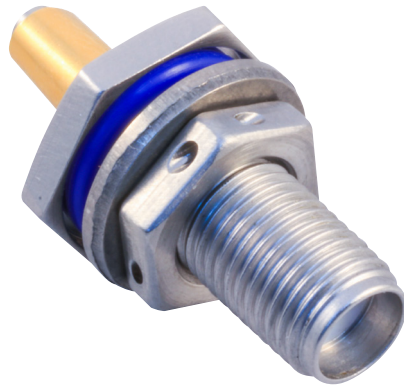


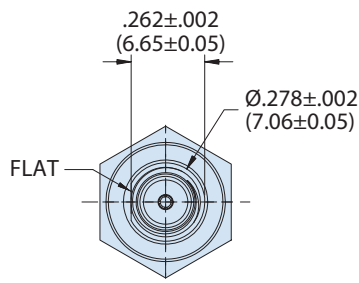
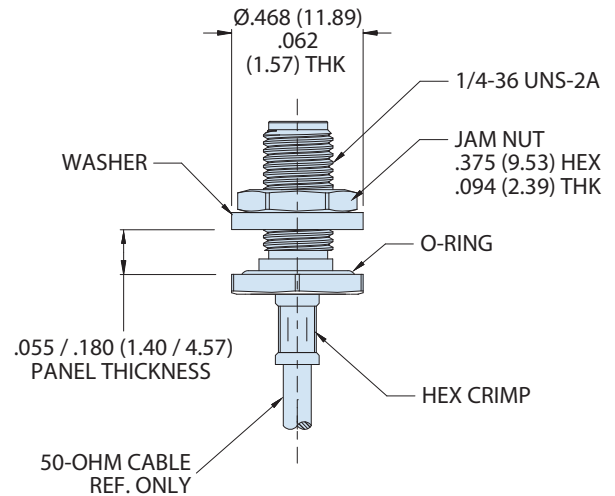
GRF01-0007
50 Ohm SMA Coax Connector
 Hermetic • Jam-Nut Mount



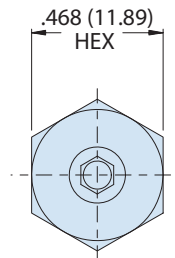
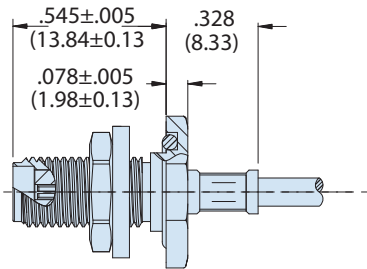
Product
Series

GRF01-0007

| CABLES ACCOMMODATED |
|---------------------|
| M17/113-RG316 |
| M17/119-RG174 |
| M17/138-00001 |
| M17/217-00001 |
| RG188 |



JAM NUT OMITTED
FOR CLARITY



APPLICATION NOTES

- PERFORMANCE:
 - Temperature range: -65°C to +125°C
 - Hermeticity: 1×10^{-7} cc/sec of helium at one atmosphere Delta P.
 - Impedance: 50 ohms nom.
 - Frequency range: DC-10 Ghz
 - VSWR: 1.20:1 DC to 3 Ghz
 - Insertion loss: .2 dB, DC to 3 Ghz
 - DWV: 1000 VRMS at sea level
 - IR: 5000 megohms minimum, room temperature
- Connector interface per MIL-STD-348, Series SMA, socket contact
- Material/Finish:
 - Shell: stainless steel 304L / passivated
 - Mounting nut, washer: stainless steel 303 / passivated
 - Hermetic seal contact: alloy 52 / gold plated
 - Front socket and rear contacts: copper alloy / gold Plated
 - Insulator: PTFE / N.A.
 - Fused vitreous glass / N.A.
 - O-ring: fluorosilicone per MIL-DTL-25988 or equivalent / N.A.

Dimensions in Inches (millimeters) are subject to change without notice.