

## 233-309 RJ45 Feed-Thru with Crimp Contact Termination

HOW TO ORDER							
<b>Sample Part Number</b>	<b>233-309</b>	<b>Z1</b>	<b>00</b>	<b>-</b>	<b>17</b>	<b>5H</b>	<b>N 1</b>
<b>Basic Number</b>	233-309 RJ45 Feed-Thru						
<b>Finish</b>	See Material and Finish table						
<b>Connector Style<sup>1</sup></b>	See Connector Style table						
<b>Shielding</b>	"-" = Inline shielded RJ45 G = Inline shielded and grounded to the shells						
<b>Shell Size</b>	17 and 19						
<b>RJ45 Category</b>	5H = CAT 5e						
<b>Alternate Key Position<sup>1</sup></b>	Per MIL-DTL-38999 A, B, C, D, E, N = Normal						
<b>RJ45 Orientation</b>	1, 2, 3, or 4						

Modification codes may be added directly to the end of any valid part number

MATERIAL AND FINISH	
<b>Z1</b>	Stainless Steel/Passivate
<b>ZL</b>	Stainless Steel/Electro-deposited Nickel

CONNECTOR STYLE <sup>1</sup>	
<b>00</b>	Wall mount feed-thru with slotted hole <sup>2</sup>
<b>07</b>	Jam nut, rear panel mount feed-thru
<b>D0</b>	Wall mount feed-thru with round holes
<b>CM</b>	Wall mount feed-thru with metric clinch nuts

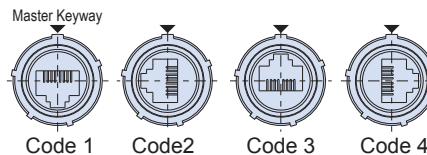
### NOTES

- Front panel mount only
- Meets IP67 in unmated condition, IP68 mated
- Connector and contacts shall meet general requirements of MIL-DTL-38999, Series III. RJ45 connector meets via 568B standard.
- RJ45 Jack Specifications:
  - Shielded Cat5e RJ45 (grounded to PC board)
  - Wiring: straight through  
rohs compliant
  - Electrical: current rating: 1.5 Amp  
D.W.V.: 1000 VDC (700 VAC)
  - Operating temperature range:  
-40°C to +120°C (high temp)  
Performance test criteria
- Hermeticity: <1 x 10<sup>-7</sup> sccHe/sec @ 1 atmosphere differential
- Material/finishes:
  - Shell, jam nut: 300 series CRES / passivate or plate
  - Insulator, hermetic: glass
  - Insulators: high grade rigid dielectric
  - Contacts: copper alloy/gold plate.
  - Seals: fluorosilicone
- RJ45 coupler housing: ULV94V-0 compliant ABS or PPS

JAM NUT DIMENSIONS								
Shell Size	Ø K		L		M Flat		R	
	in	mm	in	mm	in	mm	in	mm
17	1.764	44.81	1.642	41.71	1.191	30.25	.122	3.10
	1.740	44.20	1.610	40.89	1.181	30.00	.083	2.11
19	1.949	49.50	1.827	46.41	1.316	33.43	.153	3.89
	1.925	48.90	1.795	45.59	1.306	33.17	.114	2.90

WALL MOUNT RECEPTACLE DIMENSIONS												
Shell Size	B Sq		C Bsc		D Bsc <sup>2</sup>		E		F		Ø H Holes	
	In	mm	In	mm	In	mm	In	mm	In	mm	In	mm
17	1.323	33.60	1.062	26.97	.969	24.61	.136	3.45	.202	5.13	0.136	3.45
	1.299	32.99										
19	1.449	36.80	1.156	29.36	1.062	26.97	.120	3.05	.186	4.72	0.120	3.05
	1.425	36.20										

### RJ45 Orientation Options (Receptacle Face)



*All external dimensions, features, etc. compliant with D38999/20, /24, &/26. Consult factory for additional information.*

JAM NUT AND WALL MOUNT THREAD DIMENSIONS			
Shell Size	A Thread	G Thread	N Thread (Jam-Nut Only)
17	1.1875-.1P-.3L-TS-2A	M25 x 1.0-6g 0.100R	M32 x 1.0-6g 0.100R
19	1.2500-.1P-.3L-TS-2A	M28x 1.0-6g 0.100R	M35 x 1.0-6g 0.100R

JAM NUT DIMENSIONS					
Shell Size	Ø K	L	M Flat	R	Ø S
17	1.764 (44.81)	1.642 (41.71)	1.191 (30.25)	.122 (3.10)	1.275 (32.39)
	1.740 (44.20)	1.610 (40.89)	1.181 (30.00)	.083 (2.11)	
19	1.949 (49.50)	1.827 (46.41)	1.316 (33.43)	.153 (3.89)	1.337 (33.96)
	1.925 (48.90)	1.795 (45.59)	1.306 (33.17)	.114 (2.90)	

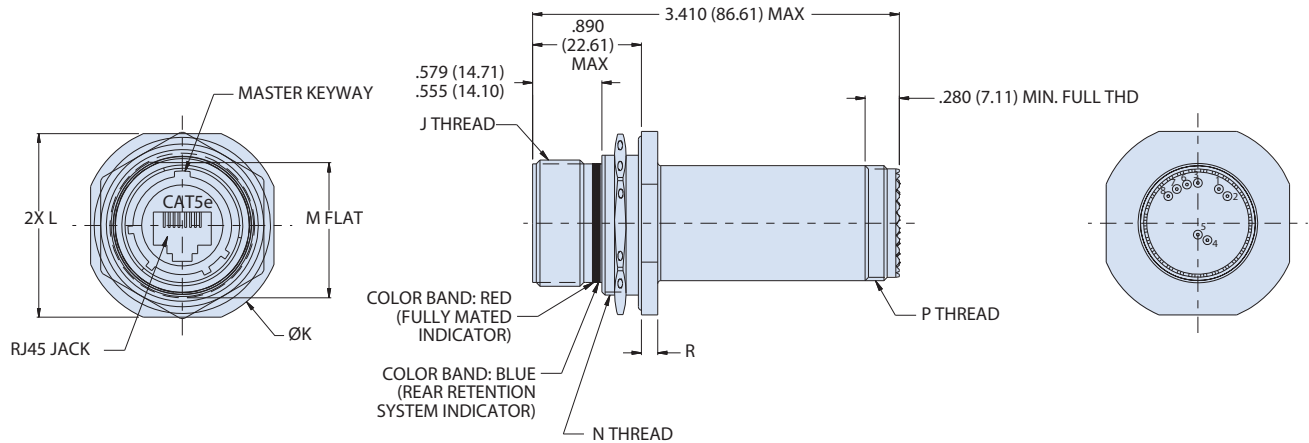
WALL MOUNT DIMENSIONS						
Shell Size	B Sq	C BSC	D BSC	E	F	Ø H Holes
17	1.323 (33.60)	1.062 (26.97)	.969 (24.61)	.136 (3.45)	.202 (5.13)	.136 (3.45)
	1.299 (32.99)					
19	1.449 (36.80)	1.156 (29.36)	1.062 (26.97)	.120 (3.05)	.186 (4.72)	.120 (3.05)
	1.425 (36.20)					

# HERMETIC CONNECTORS MIL-DTL-38999 Series III Type



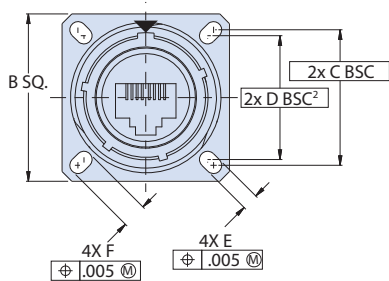
## 233-309 RJ45 Feed-Through with Crimp Contact Termination

### 07 - REAR PANEL MOUNT, JAM NUT FEED-THROUGH CONNECTORS

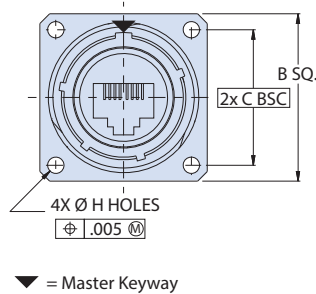


### 00, D0 AND CM - WALL MOUNT FEED-THRU CONNECTORS

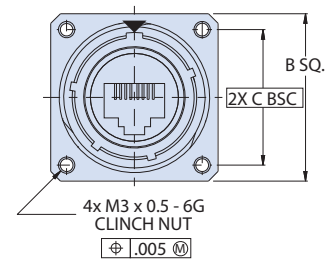
**00 - Wall Mount Receptacle with Slotted Holes (Mating Face)**



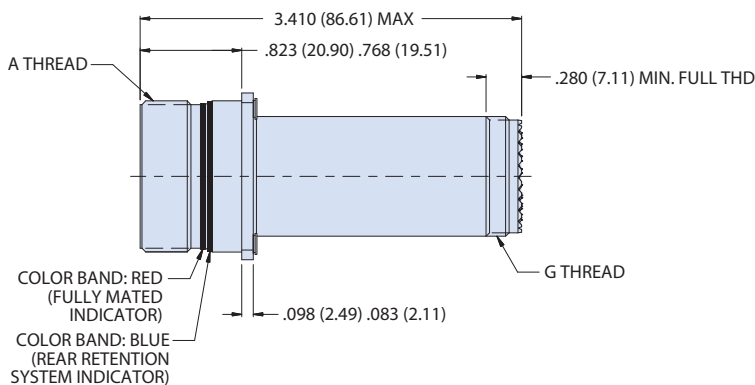
**D0 - Wall Mount Receptacle With Round Holes (Mating Face)**



**CM - Wall Mount Receptacle With Metric Clinch Nuts (Mating Face)**



**00, D0, CM - Wall Mount Receptacle**



**D0 - Wall Mount Receptacle Shown for Contact Termination Positions Only**

