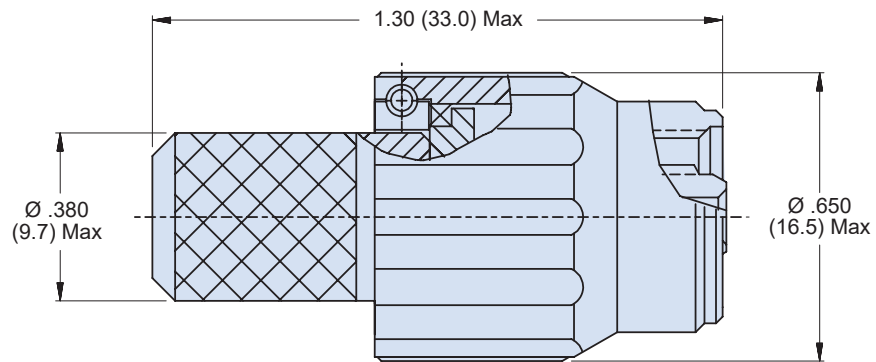
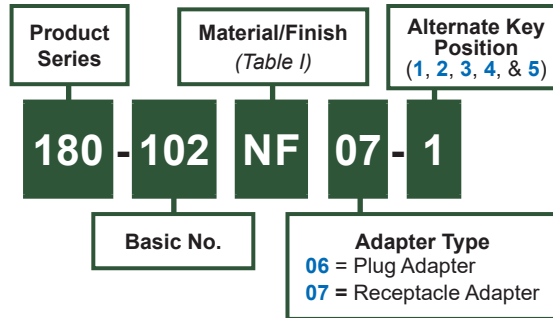




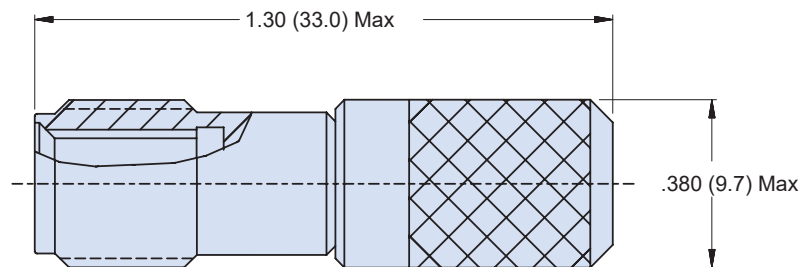
180-102
Fiber Optic Probe Adapter, Plug and Receptacle
For NGCON Fiber Optic Connectors

Fiber optic plug and receptacle probe adapter for use with 180-071 connectors

How To Order



06 Plug Adapter
U.S. PATENT NO. 5,960,137



07 Receptacle Adapter
U.S. PATENT NO. 5,960,137

Table I: Finish

Code	Material	Finish
C	Aluminum	Anodize, Black
M	Alloy	Electroless Nickel
NF	Aluminum	Cadmium, Olive Drab

Material and Finish

Receptacle

Shell, Rear body: See Table I
Retaining Clips: BeCu Alloy
Misc. Hardware: Stainless Steel
Seal: Fluorosilicone

Plug

Barrel, Coupling Nut, Rear body:
See Table I
Retaining Clips: BeCu Alloy
Misc. Hardware: Stainless Steel/
Passivate
O-Ring: Fluorosilicone

Notes

For fiber optic test probe jumper,
see Glenair drawing ABC54705