

189-189 Jam Nut for MIL-PRF-28876 Style Jam Nut Mount Receptacle Connectors

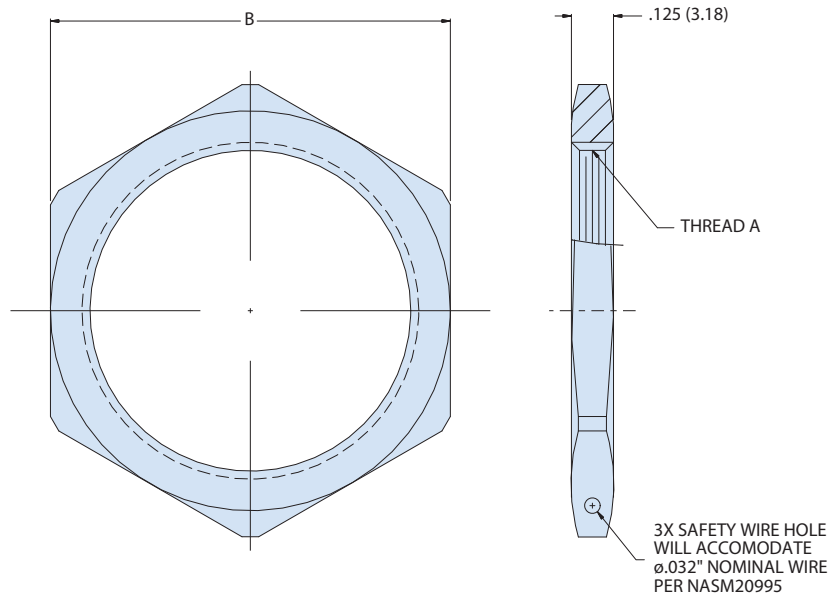
HOW TO ORDER			
Sample Part Number	189-189	NF	-13
Basic Number	Jam Nut for MIL-PRF-28876 Style Jam Nut Mount Receptacle Connectors		
Material/Finish Code	See Material/Finish table		
Shell Size	See Shell Size table		

MATERIAL AND FINISH

- Jam nut: see Material/Finish table

NOTES

- Part is designed in accordance with the interface requirements of MIL-PRF-28876.
- Part is packaged in a plastic bag and identified with manufacturer's name, cage code, part number, and date code - at a minimum.
- For assembly tools and procedures, consult factory.



MATERIAL AND FINISH		
Code	Material	Finish Description
GB4	Aluminum Alloy	Electroless Nickel
ME		Electroless Nickel
MT		Nickel-PTFE, Gray
NF		Cadmium, Olive Drab
TZ		Tin-Zinc, Bronze-Gold
ZR	Stainless Steel	Zinc-Nickel, Black
Z1		Passivate
ZL		Electro-Deposited Nickel

SHELL SIZE		
Backshell Designator	Thread A	B (Hex)
11 (A)	7/8-20 UNEF-2B	1.062 (26.97)
13 (B)	1-20 UNEF-2B	1.187 (30.15)
15 (C)	1 3/16-18 UNEF-2B	1.375 (34.92)
23 (F)	1 5/8-18 UNEF-2B	1.795 (45.59)