



SERIES 77

Composite Shrink Boot Adapters



440-144 Composite Ultra Low Profile EMI/RFI Adapter with Self-Locking Rotatable Coupling

Connector Designator	
A	MIL-DTL-5015, -26482, Series II and -83723 Series I and III
F	MIL-DTL-38999 Series I, II
H	MIL-DTL-38999 Series III and IV
SELF-LOCKING	
ROTATABLE COUPLING	
ULTRA LOW PROFILE	

Finish	
Symbol	Finish Description
XM	2000 Hour Corrosion Resistant Electroless Nickel
XMT	2000 Hour Corrosion Resistant Ni-PTFE, Nickel-Fluorocarbon Polymer. 1000 Hour Grey™
XW	2000 Hour Corrosion Resistant Cadmium/Olive Drab over Electroless Nickel

How to Order											
Sample Part Number	440	H	S	144	XM	15	09	D	B	T	S
Product Series	440										
Connector Designator	A, F and H										
Angular Function	S = straight T = 45° E = 90° A = 90° split W = 90° low profile										
Basic Part Number	144										
Finish Symbol	See finish table										
Shell Size	See dimensions table										
Cable Entry Code	See cable table (omit entry code for sym W & E)										
Drain Hole Option	D = drain hole Omit for none										
Band Option	B = micro-band K = pre-coiled micro-band Omit for none										
Shrink Boot	T = shrink boot Omit for none										
Shield Termination Slot	S = shield termination slot Omit for none (See Note 5)										

STANDARD BOOT KIT
 Add "T" to Part Number for Standard Boot

Cable Entry				
Entry Code	F ± .030	G ± .060	H ± .090	Shrink Boot
04	.250 (6.4)	.720 (18.3)	.870 (22.1)	770-003S102
05	.310 (7.9)	.750 (19.1)	.930 (23.6)	770-003S102
07	.440 (11.2)	.750 (19.1)	1.000 (25.4)	770-003S103
09	.560 (14.2)	.760 (19.3)	1.030 (26.2)	770-003S103
11	.680 (17.3)	.780 (19.8)	1.050 (26.7)	770-003S104
13	.810 (20.6)	.790 (20.1)	1.060 (26.9)	770-003S105
15	.940 (23.9)	.820 (20.8)	1.090 (27.7)	770-003S106
16	1.000 (25.4)	.860 (21.8)	1.130 (28.7)	770-003S106
17	1.160 (29.5)	.890 (22.6)	1.160 (29.5)	770-003S107

Dimensions									
Shell Size		Entry Code Available for Straight, 45° and 90° Std Configuration	J Max	K ±.03	L See Note 4	M See Note 4	N ±.09	P ±.09	R Max
A & F	H								
08	09	04	.630 (16.0)	1.042 (26.5)	.304 (7.7)	.160 (4.1)	.690 (17.5)	.880 (22.4)	1.360 (34.5)
10	11	05	.660 (16.8)	1.107 (28.1)	.432 (11.0)	.174 (4.4)	.750 (19.1)	1.000 (24.5)	1.420 (36.1)
12	13	07	.720 (18.3)	1.174 (29.8)	.546 (13.9)	.195 (5.0)	.810 (20.6)	1.130 (28.7)	1.480 (37.6)
14	15	09	.830 (21.1)	1.241 (31.5)	.670 (17.0)	.315 (8.0)	.880 (22.4)	1.310 (33.3)	1.550 (39.4)
16	17	05 and 11	.910 (23.1)	1.305 (33.1)	.796 (20.2)	.385 (9.8)	.940 (23.9)	1.380 (35.1)	1.610 (40.9)
18	19	07 and 13	.930 (23.6)	1.371 (34.8)	.902 (22.9)	.445 (11.3)	.970 (24.6)	1.440 (36.6)	1.640 (41.7)
20	21	09 and 15	1.040 (26.4)	1.438 (36.5)	1.027 (26.1)	.525 (13.3)	1.060 (26.9)	1.630 (41.4)	1.730 (43.9)
22	23	11 and 16	1.120 (28.4)	1.505 (38.2)	1.152 (29.3)	.595 (15.1)	1.130 (28.7)	1.750 (44.5)	1.800 (45.7)
24	25	07, 13 and 17	1.180 (30.0)	1.572 (39.9)	1.276 (32.4)	.655 (16.6)	1.190 (30.2)	1.880 (47.8)	1.860 (47.2)
24*	25			1.850 (47.0)	1.460 (37.1)	.450 (11.4)			

*See Note 7 Consult factory for shrink boot part numbers for elliptical parts

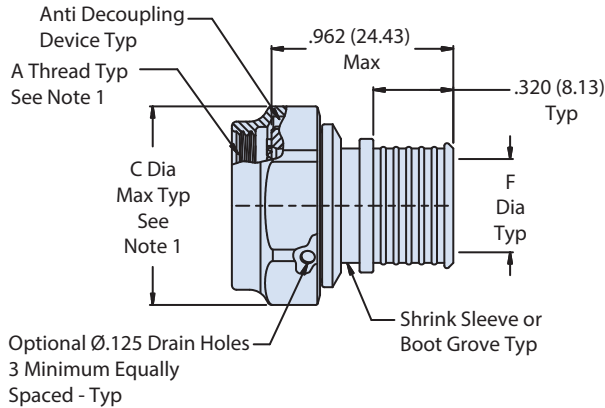


SERIES 77

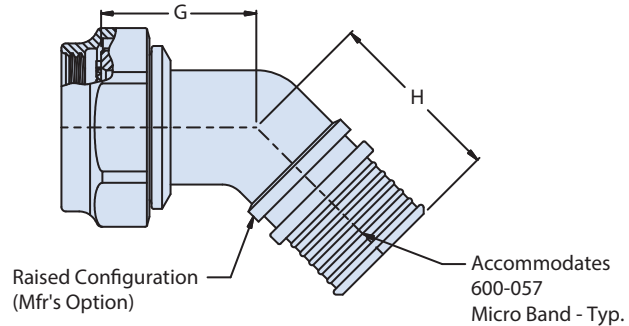
Composite Shrink Boot Adapters



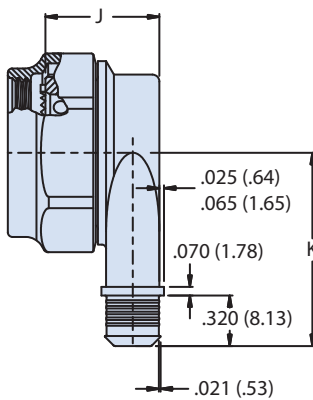
440-144 Composite Ultra Low Profile EMI/RFI Adapter with Self-Locking Rotatable Coupling



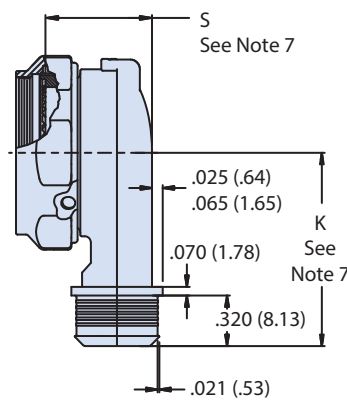
Sym S
Straight



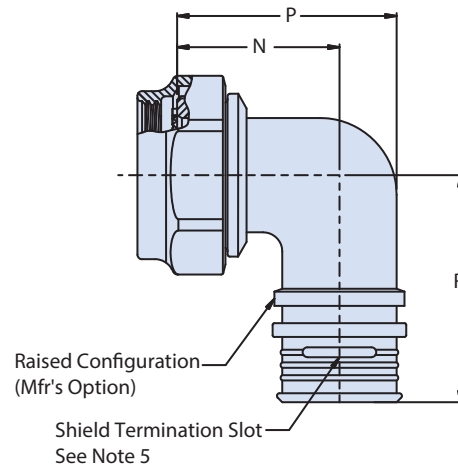
Sym T
45°



Sym W
90° - Low Profile
(Solid)



Sym E
90° - Low Profile
(Split)



Sym A
90° - Std

NOTES

1. See Table II on G-29 for connector designator interface dimensions
2. 770-003S shrink boot supplied with T option. See shrink boot product pages for more details.
3. O-Ring will not be supplied with Connector Designator A.
4. Entry code is not used for angular function Sym W and E. Entry dimensions for these configurations are per shell size in dimensions table
5. A minimum of two shield termination slots will be supplied on adapters with exception to Sym 'E' which are supplied with one slot.
6. Standard Boot Kit uses a straight lipped, type 1 material boot without adhesive. Order separately for additional options
7. For Sym 'E' low profile split (SS 24/250 dimensions, use indicated row in dimensions table)
8. Recovered dimension apply to unrestricted recovery. Dimensions may differ than shown when boots are installed over assembly