



SERIES 77  
AS85049 Boots



M85049/142 Tee Transition, Wide Body



AS85049 wide body 'TEE' heat shrink transitions provide mechanical and environmental protection from damage and debris. AS85049 straight boots are made in accordance with AS85049. All adhesive lined and unlined transitions are RoHS compliant. Transitions are water-tight when equipped with factory installed or user-installed adhesive. Choose transition size based on cable diameter.

B

How to Order					
Sample Part Number	M85049/142	-02	H	C	P
Product Series	M85049/142 = wide body tee AS85049 transition				
Dash No.	01, 02, 03, 04; see dimension table				
Material	A, B, G, H; see material table				
Adhesive Option	C = adhesive lined, see adhesive table U = no adhesive				
Injection-Vent Ports	P = injection-vent port Omit for none				

Material			
Material	Compound	Material Description	Color Code
A	2071	Polyolefin Semi-Rigid	White
B	2040	Polyolefin Flexible	Red
G	2010	Polyolefin	Green
H	2025	Elastomeric	Blue

Adhesive		
Code	Material	Description
C	Material A, G, H	-55° to +125°C Hot Melt adhesive
	Material B	-55° to +70°C Zero Halogen/Hot Melt
For applications exposed to temperatures reaching 150°C contact the factory		

NOTES

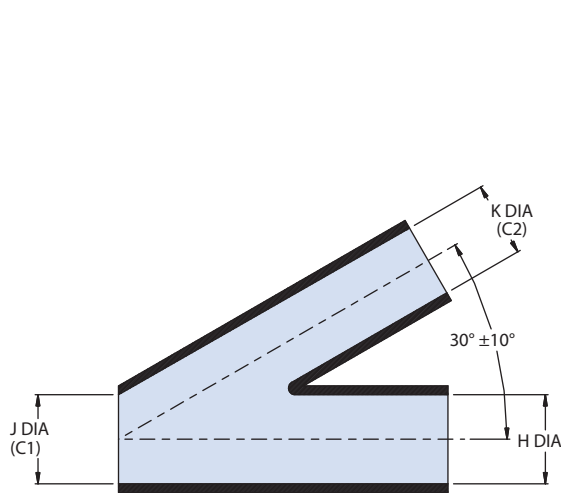
1. See bag identification for matching boot number, no number on boot. See part number development for full description
2. Encircled material letter designator located on O.D. approximately mid length along the 'J' end see part number development for full description
3. Recovered dimension apply to unrestricted recovery. Dimensions may differ than shown when boots are installed over assembly.



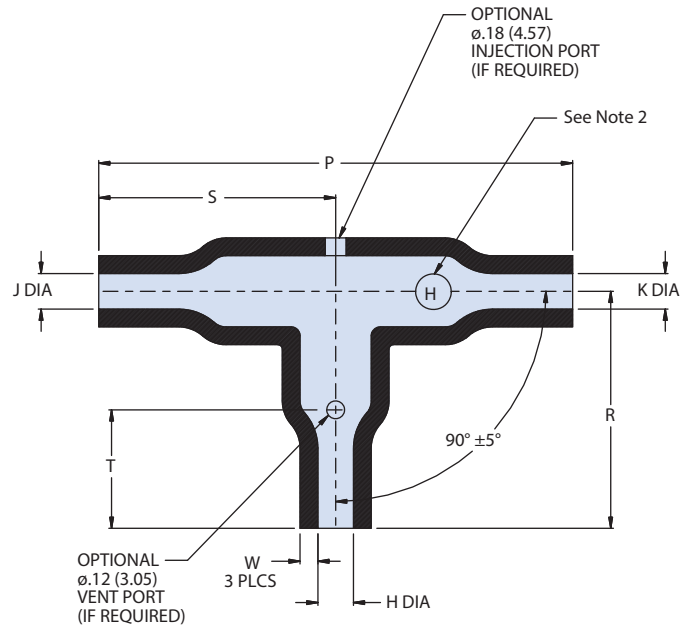
SERIES 77  
AS85049 Boots



M85049/142 Tee Transition, Wide Body



AS SUPPLIED



RECOVERED

REF: AS85049/142  
(FIG.1 T TYPE BOOT)

B

Dimensions							
DASH NO.	H,J,K DIA MIN*	H,J,K DIA MAX**	P**	R**	S**	T**	W**
1			±10%	±10%	±10%	±10%	±20%
01	.26 (6.6)	.14 (3.6)	1.17 (29.7)	0.58 (14.7)	0.59 (15.0)	N/A	0.04 (1.0)
02	.52 (13.2)	.27 (6.9)	2.31 (58.7)	1.16 (29.5)	1.16 (29.5)	0.69 (17.5)	0.06 (1.5)
03	1.06 (26.9)	.53 (13.5)	4.73 (120.1)	2.36 (59.9)	2.37 (60.2)	1.40 (35.6)	0.09 (2.29)
04	2.19 (55.6)	1.19 (30.2)	9.70 (246.4)	4.85 (123.2)	4.85 (123.2)	2.79 (70.9)	0.12 (3.0)

\*As Supplied \*\*As Recovered