

SERIES 79 MICRO-CRIMP RECTANGULAR CONNECTORS

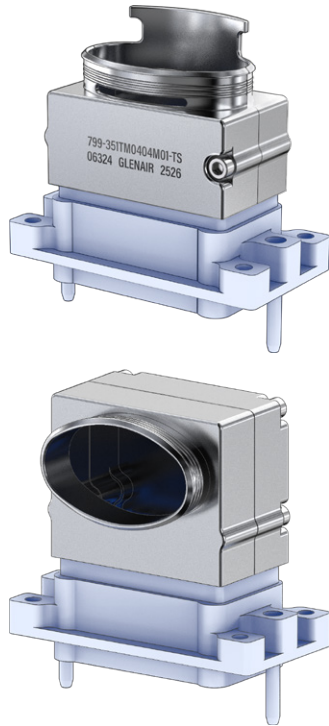
Backshells and Accessories



799-351

EMI Banding Backshell, 793 Vertical Single Port

- ◆ Fits Series 793 connectors
- ◆ Band-Master® shield termination
- ◆ Top and side entry



799-351
This accessory fits Series 793 vertical connectors:
793-003, 793-004, 793-018, 793-019

799-351 backshell fits Series 793 vertical dual-bay connectors. Split backshell attaches to groove on connector shell. Terminate cable shield to backshell with BandMaster ATS band strap. Aluminum or stainless steel with stainless steel screws.

HOW TO ORDER																													
Sample Part Number	799-351T	M	04	M	05	05-	T																						
Basic Part Number	799-351T T Top Entry 799-351S S Side Entry																												
Material/Finish	M Alum / Electroless Nickel MT Alum / Nickel - PTFE N Alum / Olive Drab Cadmium TZ Alum / Tin-Zinc ZR Alum / Black Zinc-Nickel Z1 Stainless Steel / Passivated																												
Entry Size <i>See Table 1</i>	01 02 03 04 05 06 07 08 09																												
Band	M Micro Band Included (2 ea.) J Micro Slim Band Included (2 ea.) L Micro-Max Band Included (2 ea.)																												
Height Code	<table border="1"> <thead> <tr> <th>Code</th> <th>H Dim.</th> </tr> </thead> <tbody> <tr><td>01</td><td>.810 (20.6)</td></tr> <tr><td>02</td><td>1.030 (26.2)</td></tr> <tr><td>03</td><td>1.250 (31.8)</td></tr> <tr><td>04</td><td>1.480 (37.6)</td></tr> <tr><td>05</td><td>1.730 (43.9)</td></tr> <tr><td>06</td><td>1.980 (50.3)</td></tr> <tr><td>07</td><td>2.230 (56.6)</td></tr> <tr><td>08</td><td>2.480 (63.0)</td></tr> <tr><td>09</td><td>2.730 (69.3)</td></tr> <tr><td>10</td><td>2.980 (75.7)</td></tr> <tr><td>11</td><td>3.230 (82.0)</td></tr> </tbody> </table>	Code	H Dim.	01	.810 (20.6)	02	1.030 (26.2)	03	1.250 (31.8)	04	1.480 (37.6)	05	1.730 (43.9)	06	1.980 (50.3)	07	2.230 (56.6)	08	2.480 (63.0)	09	2.730 (69.3)	10	2.980 (75.7)	11	3.230 (82.0)				
Code	H Dim.																												
01	.810 (20.6)																												
02	1.030 (26.2)																												
03	1.250 (31.8)																												
04	1.480 (37.6)																												
05	1.730 (43.9)																												
06	1.980 (50.3)																												
07	2.230 (56.6)																												
08	2.480 (63.0)																												
09	2.730 (69.3)																												
10	2.980 (75.7)																												
11	3.230 (82.0)																												
Qwik-Ty® Option	<i>Omit for None</i> T Qwik-Ty Strain Relief Arms Included																												
Slots Option	<i>Omit for None</i> S Slots in Banding Area																												

BACKSHELLS AND ACCESSORIES

BAND OPTIONS		
Terminate cable braid to backshell with Micro band strap. Stainless steel band strap is .12 (3.0) wide. Pre-coiled bands are passivated stainless steel. <i>Micro Slim</i> bands have reduced thickness for weight reduction. <i>Micro-Max</i> bands are high-tension for lower-resistivity termination.		
Band Type	Hand Tool	Pneumatic Tool
Micro	601-101	601-107
Micro Slim	601-122	601-123
Micro-Max	601-129	601-130

TABLE 1 ENTRY SIZE					
Entry Size	A		B		Min. Height Code
	in	mm	in	mm	
01	.500	12.7	.440	11.2	01
02	.625	15.9	.570	14.5	02
03	.750	19.1	.655	16.6	02
04	.875	22.2	.720	18.3	03
05	1.000	25.4	.760	19.3	03
06	1.125	28.6	.800	20.3	03
07	1.250	31.8	.825	21.0	03
08	1.375	34.9	.850	21.6	03
09	1.500	38.1	.870	22.1	03

ENTRY SIZE

SERIES 79 MICRO-CRIMP RECTANGULAR CONNECTORS

Backshells and Accessories

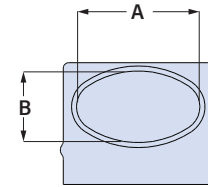
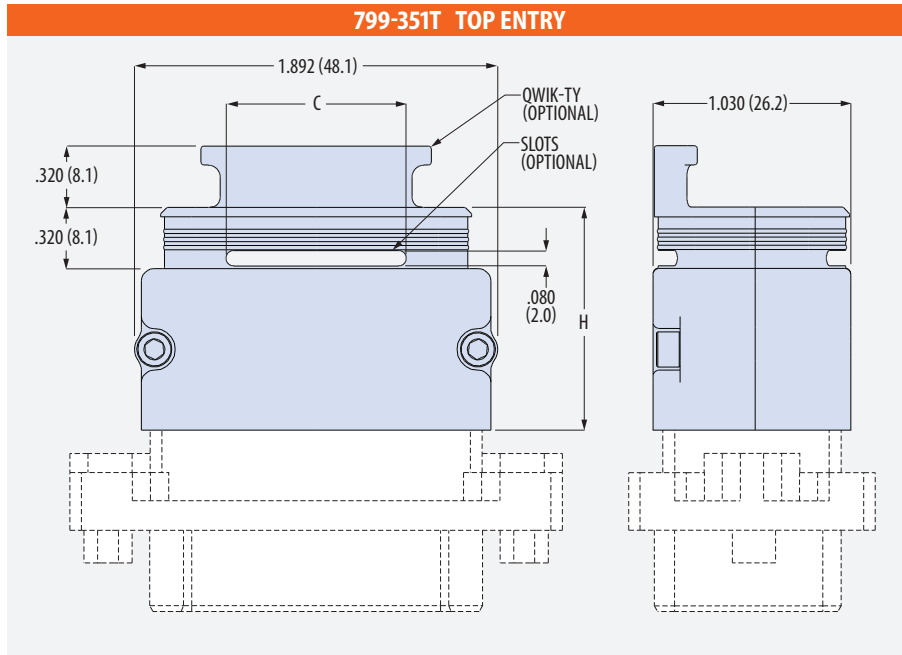


799-351

EMI Banding Backshell, 793 Vertical single Port

- ◆ Fits Series 793 connectors
- ◆ Band-Master® shield termination
- ◆ Top and side entry

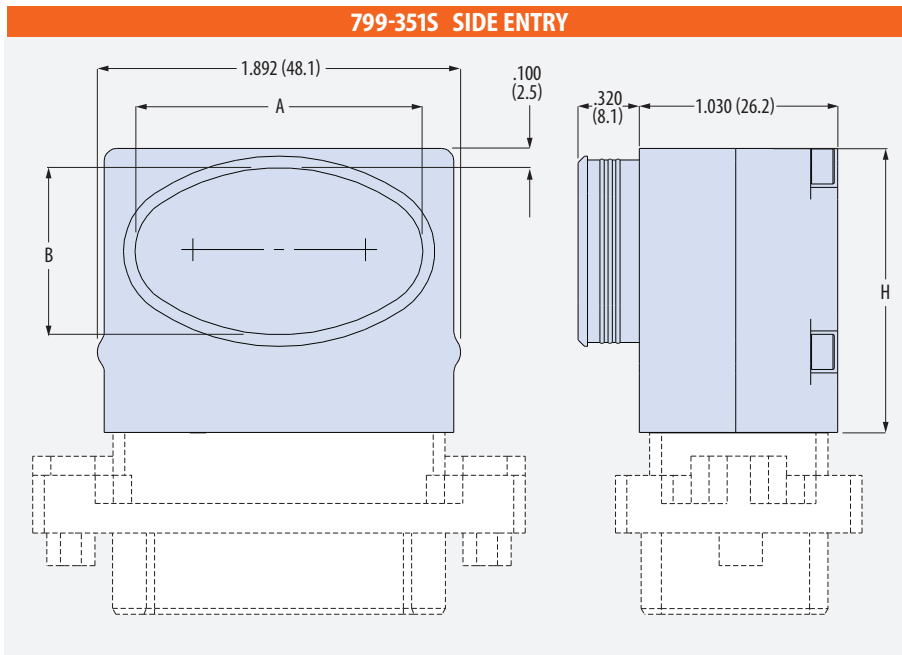
BACKSHELLS AND ACCESSORIES



ENTRY SIZE

ENTRY SIZE

Entry Size Code	A		B		C		Min. Height Code
	in	mm	in	mm	in	mm	
01	.500	12.7	.440	11.2	.315	8.0	01
02	.625	15.9	.570	14.5	.390	9.9	02
03	.750	19.1	.655	16.6	.470	11.9	02
04	.875	22.2	.720	18.3	.545	13.8	03
05	1.000	25.4	.760	19.3	.625	15.9	03
06	1.125	28.6	.800	20.3	.705	17.9	03
07	1.250	31.8	.825	21.0	.780	19.8	03
08	1.375	34.9	.850	21.6	.860	21.8	03
09	1.500	38.1	.870	22.1	.940	23.9	03



HEIGHT CODE

Height Code	H	
	in	mm
01	.810	20.6
02	1.030	26.2
03	1.250	31.8
04	1.480	37.6
05	1.730	43.9
06	1.980	50.3
07	2.230	56.6
08	2.480	63.0
09	2.730	69.3
10	2.980	75.7
11	3.230	82.0

S SIDE ENTRY

T TOP ENTRY