

SERIES 79 MICRO-CRIMP RECTANGULAR CONNECTORS

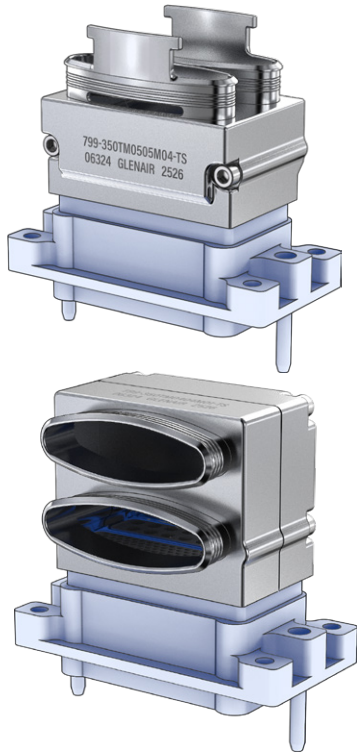
Backshells and Accessories



799-350

EMI Banding Backshell, 793 Vertical Dual Port

- ◆ Fits Series 793 connectors
- ◆ Band-Master® shield termination
- ◆ Top and side entry



799-350

This accessory fits Series 793 vertical connectors:
793-003, 793-004, 793-018, 793-019

799-350 piggyback backshell fits Series 793 vertical dual-bay connectors. Split backshell attaches to groove on connector shell. Terminate cable shield to backshell with BandMaster ATS band strap. Aluminum or stainless steel with stainless steel screws.

BAND OPTIONS

Terminate cable braid to backshell with optional Micro band strap and banding tool. Stainless steel band strap is .12 (3.0) wide. Pre-coiled bands are passivated stainless steel. *Micro Slim* bands have reduced thickness for weight reduction. *Micro-Max* bands are high-tension for lower-resistivity termination.



Band Type	Hand Tool	Pneumatic Tool
Micro	601-101	601-107
Micro Slim	601-122	601-123
Micro-Max	601-129	601-130

HOW TO ORDER

Sample Part Number	799-350T	M	04	04	M	05-	T	S
Basic Part Number	799-350T T Top Entry 799-350S S Side Entry							
Material/Finish	M Alum / Electroless Nickel MT Alum / Nickel - PTFE N Alum / Olive Drab Cadmium TZ Alum / Tin-Zinc ZR Alum / Black Zinc-Nickel Z1 Stainless Steel / Passivated							
Port 1 Entry Size <i>See Table 1</i>	01 02 03 04 05 06 07 08 09							
Port 2 Entry Size <i>See Table 1</i>	01 02 03 04 05 06 07 08 09							
Band	M Micro Band Included (2 ea.) J Micro Slim Band Included (2 ea.) L Micro-Max Band Included (2 ea.)							
Height Code	T Top Entry S Side Entry	Code	H Dim.	J Dim.				 T TOP ENTRY S SIDE ENTRY
		01	.810 (20.6)	1.480 (37.6)				
		02	1.060 (26.9)	1.730 (43.9)				
		03	1.310 (33.3)	1.980 (50.3)				
		04	1.560 (39.6)	2.230 (56.6)				
		05	1.810 (46.0)	2.480 (63.0)				
		06	2.060 (52.3)	2.730 (69.3)				
		07	2.310 (58.7)	2.980 (75.7)				
		08	2.560 (65.0)	3.230 (82.0)				
Qwik-Ty® Option	Omit for None T Qwik-Ty Strain Relief Arms Included							
Slots Option	Omit for None S Slots in Banding Area							

TABLE 1 ENTRY SIZE

Entry Size	A	
	in	mm
01	.440	11.2
02	.540	13.7
03	.690	17.5
04	.810	20.6
05	1.000	25.4
06	1.190	30.2
07	1.305	33.1
08	1.420	36.1
09	1.500	38.1

BACKSHELLS AND ACCESSORIES

SERIES 79 MICRO-CRIMP RECTANGULAR CONNECTORS

Backshells and Accessories



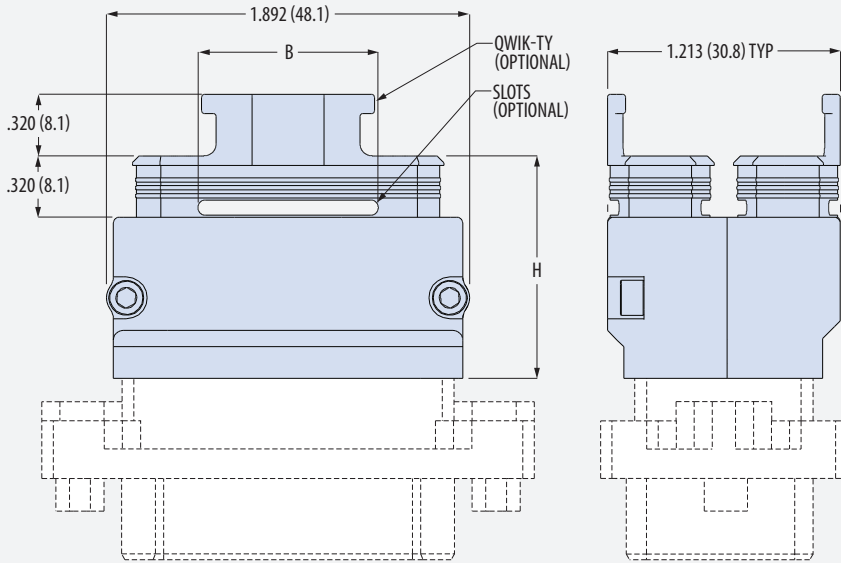
799-350

EMI Banding Backshell, 793 Vertical Dual Port

- ◆ Fits Series 793 connectors
- ◆ Band-Master® shield termination
- ◆ Top and side entry

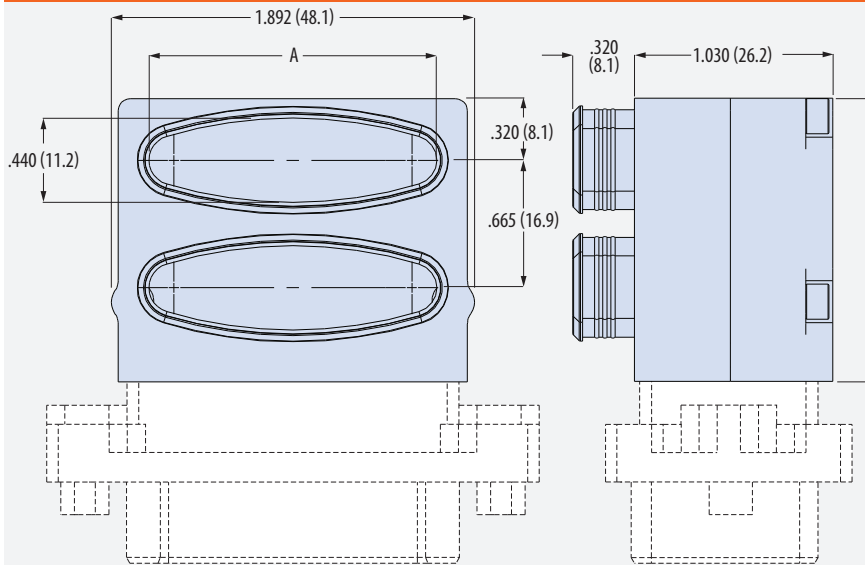
BACKSHELLS AND ACCESSORIES

799-350T TOP ENTRY



Entry Size	A		B	
	in	mm	in	mm
01	.440	11.2	.250	6.4
02	.540	13.7	.340	8.6
03	.690	17.5	.430	10.9
04	.810	20.6	.505	12.8
05	1.000	25.4	.625	15.9
06	1.190	30.2	.745	18.9
07	1.305	33.1	.815	20.7
08	1.420	36.1	.890	22.6
09	1.500	38.1	.940	23.9

799-350S SIDE ENTRY



Height Code	H		J	
	in	mm	in	mm
01	.810	20.6	1.480	37.6
02	1.060	26.9	1.730	43.9
03	1.310	33.3	1.980	50.3
04	1.560	39.6	2.230	56.6
05	1.810	46.0	2.480	63.0
06	2.060	52.3	2.730	69.3
07	2.310	58.7	2.980	75.7
08	2.560	65.0	3.230	82.0