

# SERIES 79 MICRO-CRIMP RECTANGULAR CONNECTORS

## Backshells and Accessories



### 799-331

### Piggyback EMI Backshell, Extended Screws

- ◆ Piggyback 2 piece, elliptical entry
- ◆ Band-Master® shield termination
- ◆ For connectors with extended screws



#### 799-331

This accessory fits Series 790 cable connectors with extended screws:  
**790-024, 790-025**  
 Shell Sizes **A, B, C, D, E, F, G, J, K**  
 Hardware Styles **K** and **T**  
 For other connectors, **799-015** or **799-293** are recommended.

For connectors with extended screws.  
 799-331 piggyback backshell fits Series 790 cable connectors with rear groove. Similar to 799-015 except with clearance for extended jackscrews and screwlocks. Terminate cable shield to backshell with BandMaster ATS Micro band strap. Aluminum or stainless steel with stainless steel screws.

#### BAND OPTIONS

Stainless steel band strap provides fast, cost-effective and highly reliable termination of braided metallic shielding. *Micro Slim* bands have reduced thickness for weight reduction. High tension *Micro-Max* bands reduce braid-to-shell electrical resistance. Band is .12 (3.0) wide.



Band Type	Band P/N 14" Length Pre-Coiled	Hand Tool	Pneumatic Tool
Micro	<b>601-065</b>	<b>601-101</b>	<b>601-107</b>
Micro Slim	<b>601-603</b>	<b>601-122</b>	<b>601-123</b>
Micro-Max	<b>601-703</b>	<b>601-129</b>	<b>601-130</b>

		HOW TO ORDER																																										
Sample Part Number		799-331T	M	D	04	M	02-	T	S																																			
<b>Basic Part Number</b>	<b>799-331T</b> <b>T</b> Top Entry <b>799-331S</b> <b>S</b> Side Entry																																											
<b>Material / Finish</b>	<b>M</b> Alum / Electroless Nickel <b>MT</b> Alum / Nickel - PTFE <b>N</b> Alum / Olive Drab Cadmium <b>TZ</b> Alum / Tin-Zinc <b>ZR</b> Alum / Black Zinc-Nickel <b>Z1</b> Stainless Steel / Passivated																																											
<b>Shell Size</b>	<b>A B C D E F G J K</b>																																											
<b>Entry Size</b>	<table border="1"> <thead> <tr> <th>Entry Size</th> <th>D</th> <th>Shell Size</th> </tr> </thead> <tbody> <tr><td>01</td><td>.130 (3.3)</td><td>A thru K</td></tr> <tr><td>02</td><td>.280 (7.1)</td><td>B thru K</td></tr> <tr><td>03</td><td>.430 (10.9)</td><td>C thru K</td></tr> <tr><td>04</td><td>.530 (13.5)</td><td>D thru K</td></tr> <tr><td>05</td><td>.680 (17.3)</td><td>E thru K</td></tr> <tr><td>06</td><td>.800 (20.3)</td><td>F thru K</td></tr> <tr><td>07</td><td>1.000 (25.4)</td><td>J, K</td></tr> <tr><td>08</td><td>1.180 (30.0)</td><td>J, K</td></tr> <tr><td>09</td><td>1.305 (33.1)</td><td>K</td></tr> <tr><td>10</td><td>1.410 (35.8)</td><td>K</td></tr> <tr><td>11</td><td>1.580 (40.1)</td><td>K</td></tr> </tbody> </table>	Entry Size	D	Shell Size	01	.130 (3.3)	A thru K	02	.280 (7.1)	B thru K	03	.430 (10.9)	C thru K	04	.530 (13.5)	D thru K	05	.680 (17.3)	E thru K	06	.800 (20.3)	F thru K	07	1.000 (25.4)	J, K	08	1.180 (30.0)	J, K	09	1.305 (33.1)	K	10	1.410 (35.8)	K	11	1.580 (40.1)	K							
Entry Size	D	Shell Size																																										
01	.130 (3.3)	A thru K																																										
02	.280 (7.1)	B thru K																																										
03	.430 (10.9)	C thru K																																										
04	.530 (13.5)	D thru K																																										
05	.680 (17.3)	E thru K																																										
06	.800 (20.3)	F thru K																																										
07	1.000 (25.4)	J, K																																										
08	1.180 (30.0)	J, K																																										
09	1.305 (33.1)	K																																										
10	1.410 (35.8)	K																																										
11	1.580 (40.1)	K																																										
<b>Band</b>	<b>M</b> Micro Band Included <b>J</b> Micro Slim Band Included <b>L</b> Micro-Max Band Included																																											
<b>Height Code</b>	<table border="1"> <thead> <tr> <th>Code</th> <th>H Height</th> </tr> </thead> <tbody> <tr><td>01</td><td>.810 (20.6)</td></tr> <tr><td>02</td><td>.940 (23.9)</td></tr> <tr><td>03</td><td>1.060 (26.9)</td></tr> <tr><td>04</td><td>1.190 (30.2)</td></tr> <tr><td>05</td><td>1.310 (33.3)</td></tr> <tr><td>06</td><td>1.440 (36.6)</td></tr> <tr><td>07</td><td>1.560 (39.6)</td></tr> <tr><td>08</td><td>1.690 (42.9)</td></tr> <tr><td>09</td><td>1.810 (46.0)</td></tr> <tr><td>10</td><td>1.940 (49.3)</td></tr> <tr><td>11</td><td>2.060 (52.3)</td></tr> <tr><td>12</td><td>2.190 (55.6)</td></tr> <tr><td>13</td><td>2.310 (58.7)</td></tr> <tr><td>14</td><td>2.440 (62.0)</td></tr> <tr><td>15</td><td>2.560 (65.0)</td></tr> </tbody> </table>	Code	H Height	01	.810 (20.6)	02	.940 (23.9)	03	1.060 (26.9)	04	1.190 (30.2)	05	1.310 (33.3)	06	1.440 (36.6)	07	1.560 (39.6)	08	1.690 (42.9)	09	1.810 (46.0)	10	1.940 (49.3)	11	2.060 (52.3)	12	2.190 (55.6)	13	2.310 (58.7)	14	2.440 (62.0)	15	2.560 (65.0)											
Code	H Height																																											
01	.810 (20.6)																																											
02	.940 (23.9)																																											
03	1.060 (26.9)																																											
04	1.190 (30.2)																																											
05	1.310 (33.3)																																											
06	1.440 (36.6)																																											
07	1.560 (39.6)																																											
08	1.690 (42.9)																																											
09	1.810 (46.0)																																											
10	1.940 (49.3)																																											
11	2.060 (52.3)																																											
12	2.190 (55.6)																																											
13	2.310 (58.7)																																											
14	2.440 (62.0)																																											
15	2.560 (65.0)																																											
<b>Qwik-Ty®</b>	<i>Omit for None</i> <b>T</b> Qwik-Ty Strain Relief Arm Included																																											
<b>Slots</b>	<i>Omit for None</i> <b>S</b> Slots in Banding Area																																											

BACKSHELLS AND ACCESSORIES

# SERIES 79 MICRO-CRIMP RECTANGULAR CONNECTORS

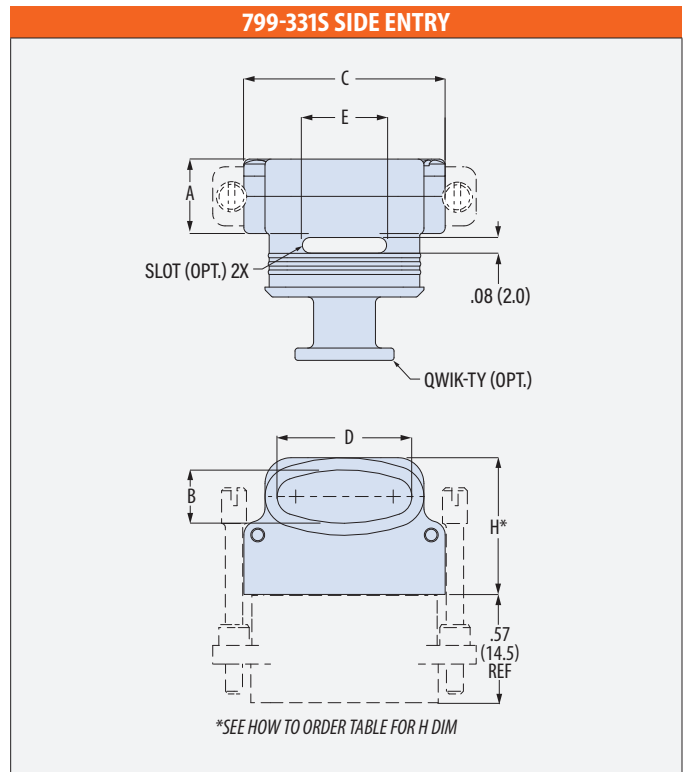
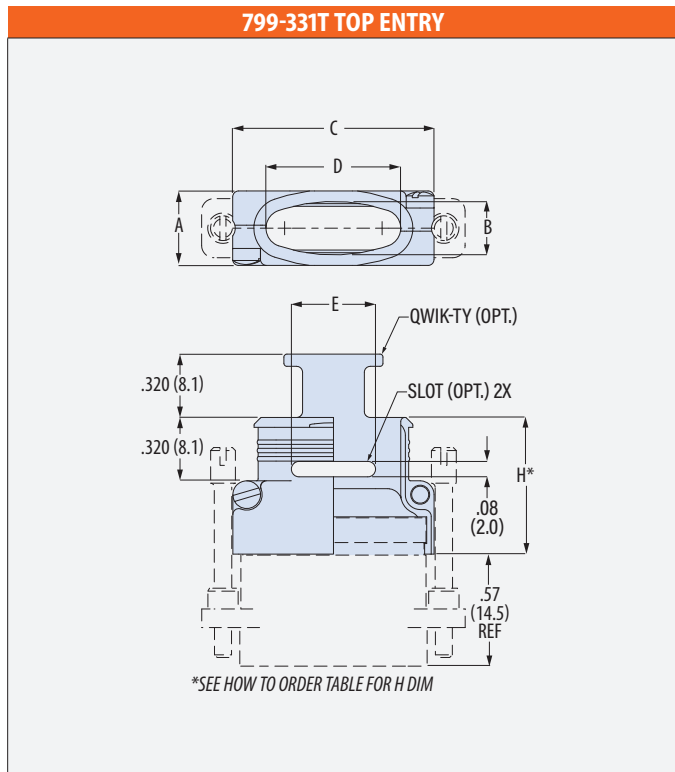
## Backshells and Accessories



### 799-331

### Piggyback EMI Backshell, Extended Screws

- ◆ Piggyback 2 piece, elliptical entry
- ◆ Band-Master® shield termination
- ◆ For connectors with extended screws



Shell Size	A Max		B		C Max		Available Entries
	in	mm	in	mm	in	mm	
A	.385	9.8	.270	6.9	.475	12.1	01
B	.385	9.8	.270	6.9	.625	15.9	01, 02
C	.385	9.8	.270	6.9	.775	19.7	01 thru 03
D	.385	9.8	.270	6.9	.875	22.2	01 thru 04
E	.385	9.8	.270	6.9	1.025	26.0	01 thru 05
F	.385	9.8	.270	6.9	1.175	29.8	01 thru 06
G	.465	11.8	.350	8.9	1.140	29.0	01 thru 06
J	.385	9.8	.270	6.9	1.525	38.7	01 thru 08
K	.385	9.8	.270	6.9	1.925	48.9	01 thru 11

Entry Size	D		E		Available Sizes
	in	mm	in	mm	
01	.130	3.3	.080	2.0	A thru K
02	.280	7.1	.175	4.4	B thru K
03	.430	10.9	.270	6.9	C thru K
04	.530	13.5	.330	8.4	D thru K
05	.680	17.3	.425	10.8	E thru K
06	.800	20.3	.500	12.7	F thru K
07	1.000	25.4	.625	15.9	J and K
08	1.180	30.0	.735	18.7	J and K
09	1.305	33.1	.815	20.7	K
10	1.410	35.8	.880	22.4	K
11	1.580	40.1	.990	25.1	K

BACKSHELLS AND ACCESSORIES