

# SERIES 79 MICRO-CRIMP RECTANGULAR CONNECTORS

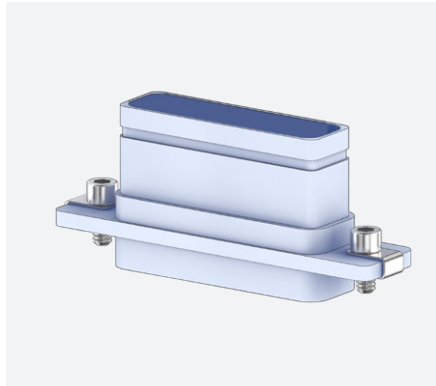
## Backshells and Accessories



### 799-172

#### Jackscrew, Series 79

- ◆ Fits Series 790 and 791
- ◆ Includes clip

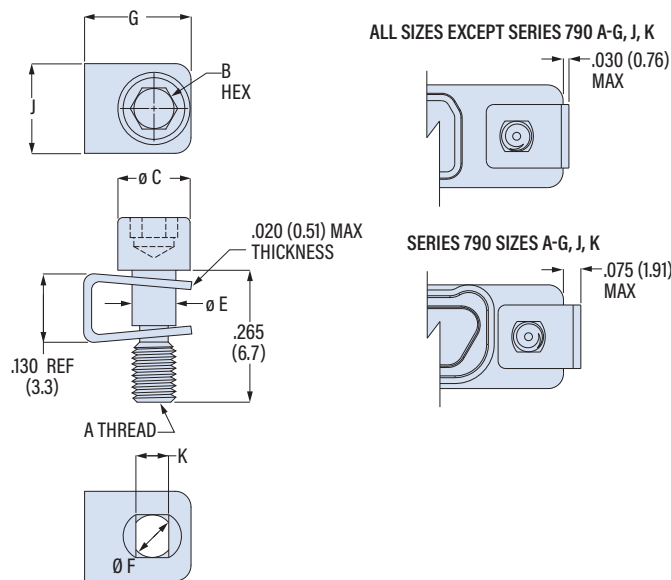


**799-172**

This accessory fits Series 790 and 791 connectors:  
**790-024, 790-025, 791-001, 791-003**

799-172 jackscrews fit Series 790 and 791 connectors. Kit consists of (2) screws and (2) retainer clips. Order (1) kit per connector. Jackscrew and clip are passivated stainless steel.

JACKSCREW KIT WITH (2) JACKSCREWS AND (2) CLIPS																	
A Thread UNC-2A	Shell Size		Part Number	B Hex		ø C		ø E		ø F		G ± .010 (0.2)		J ± .010 (0.2)		K	
	Series 790	Series 791		in	mm	in	mm	in	mm	in	mm	in	mm	in	mm	in	mm
2-56	A-G, J, K	—	799-172-1	5/64	2.0	.140	3.6	.083	2.1	.095	2.4	.210	5.3	.172	4.4	.072	1.8
4-40	H, L	A-G, J, K	799-172-2	3/32	2.4	.183	4.6	.109	2.8	.121	3.1	.325	8.3	.250	6.4	.091	2.3
6-32	M	H, L	799-172-3	7/64	2.8	.226	5.7	.135	3.4	.147	3.7	.350	8.9	.250	6.4	.112	2.8
8-32	—	M	799-172-4	9/64	3.6	.270	6.9	.161	4.1	.173	4.4	.375	9.5	.275	7.0	.141	3.6



BACKSHELLS AND ACCESSORIES