

SERIES 79 MICRO-CRIMP RECTANGULAR CONNECTORS

Backshells and Accessories



799-162 and 799-163

Protective Cover, Series 792

- ◆ Fits Series 792 connectors
- ◆ Environmental
- ◆ Conductive EMI gasket



799-162, 799-163

This accessory fits Series 792 plug and receptacle connectors

Protective cover has conductive gasket for dust, moisture and EMI protection. Available with lanyard for panel or cable attachment. Aluminum with stainless steel screws and washers. Gasket is Ni/Al-filled fluorosilicone.

TABLE 2 ATTACHMENT TYPE

F		Wire Rope, Blue Nylon Jacket 6/6 nylon over stainless steel rope, fair flexibility, good abrasion resistance, -55 to +100 °C
G		Black Nylon Rope Very flexible, good abrasion and fuel resistance, .062 (1.6) diameter, -55 to +100 °C
H		Wire Rope, Clear FEP Jacket Clear FEP jacket over SST rope, fair flexibility, good abrasion resistance, .100" diameter, -65 to +200 °C
SK		Nylon Rope with Slip Knot Very flexible, good abrasion and fuel resistance, .094 (2.4) diameter. Length includes .5" (13mm) dia. loop, -55 to +100 °C
T		SST Wire Rope, No Jacket Good flexibility, good abrasion resistance, .047 (1.2) diameter, passivated, -65 to +200 °C




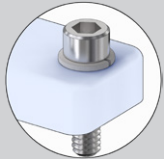
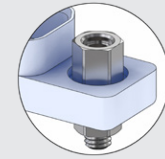
HOW TO ORDER							
Sample Part Number	799-162	M	D	L	F	6	-01
Basic Part Number	799-162 Plug Cover 799-163 Receptacle Cover						
Finish	M Electroless Nickel MT Nickel / PTFE N Olive Drab Cadmium TZ Tin-Zinc ZR Black Zinc-Nickel						
Shell Size	A B C D E F						
Hardware <i>Table 1</i>	L Socket Head Male Jackscrews P Female Hex Jackposts						
Attachment Type <i>Table 2</i>	N No Attachment F SST Wire Rope, Nylon Jacket G Nylon Rope H SST Wire Rope, FEP Jacket SK Nylon Rope with Slip Knot T SST Wire Rope, No Jacket						
Attachment Length	Omit If No Attachment Length in One Inch Increments						
Attachment Ring	Omit If No Attachment Omit for Attachment Type SK						
	EYELET		RING		SPLIT RING		
							
	Code	Eyelet I.D.	Code	Ring I.D.	Code	Ring I.D.	
	-01	.125 (3.2)	-14	.385 (9.8)	-50	.425 (10.8)	
	-02	.140 (3.6)	-15	.445 (11.3)	-52	.485 (12.3)	
	-04	.182 (4.6)	-16	.570 (14.5)	-54	.640 (16.3)	
	-06	.197 (5.0)	-17	.635 (16.1)	-56	.750 (19.1)	
			-18	.695 (17.7)	-58	.890 (22.6)	
			-19	.885 (22.5)	-60	1.010 (25.7)	
			-20	1.070 (27.2)	-64	1.125 (28.6)	
					-68	1.345 (34.2)	

TABLE 1 HARDWARE OPTION

	
L	P
Socket Head Male	Female Post

BACKSHELLS AND ACCESSORIES

SERIES 79 MICRO-CRIMP RECTANGULAR CONNECTORS

Backshells and Accessories

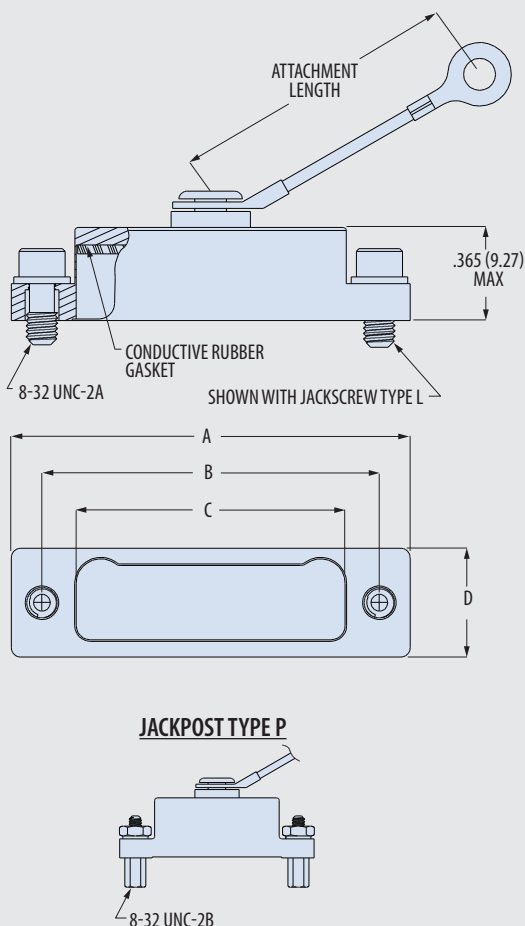
SERIES
79

799-162 and 799-163 Protective Cover, Series 792

- ◆ Fits Series 792 connectors
- ◆ Environmental
- ◆ Conductive EMI gasket

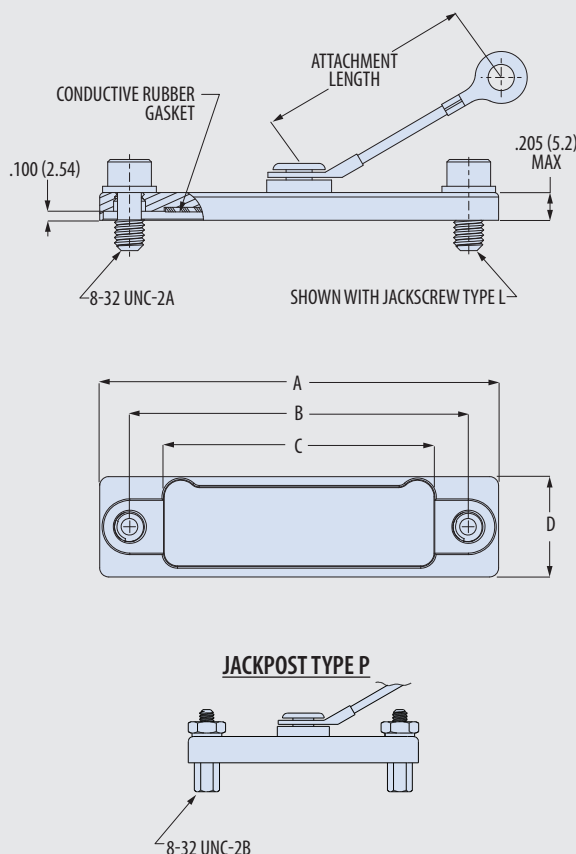
BACKSHELLS AND ACCESSORIES

799-162
PROTECTIVE COVER FOR SERIES 792 PLUG



Shell Size	A Max		B ± .005 (0.1)		C Max		D Max	
	in	mm	in	mm	in	mm	in	mm
A	1.455	40.0	1.075	27.3	.655	16.6	.635	16.1
B	1.830	46.5	1.450	36.8	1.030	26.2	.635	16.1
C	2.205	56.0	1.825	46.4	1.405	35.7	.635	16.1
D	2.580	65.5	2.200	55.9	1.780	45.2	.635	16.1
E	2.955	75.1	2.575	65.4	2.155	54.7	.635	16.1
F	2.955	75.1	2.575	65.4	2.155	54.7	1.000	25.4

799-163
PROTECTIVE COVER FOR SERIES 792 RECEPTACLE



Shell Size	A Max		B ± .005 (0.1)		C Max		D Max	
	in	mm	in	mm	in	mm	in	mm
A	1.455	40.0	1.075	27.3	.730	18.5	.745	18.9
B	1.830	46.5	1.450	36.8	1.105	28.1	.745	18.9
C	2.205	56.0	1.825	46.4	1.480	37.6	.745	18.9
D	2.580	65.5	2.200	55.9	1.855	47.1	.745	18.9
E	2.955	75.1	2.575	65.4	2.230	56.6	.745	18.9
F	2.955	75.1	2.575	65.4	2.230	56.6	1.045	26.5