

SERIES 79 MICRO-CRIMP RECTANGULAR CONNECTORS

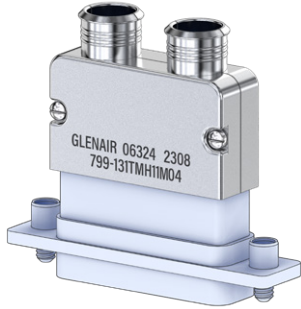
Backshells and Accessories

SERIES
79

799-131

Piggyback EMI Banding Backshell, Dual Port

- ◆ Piggyback dual round entry
- ◆ Band-Master® shield termination
- ◆ Top and side entry

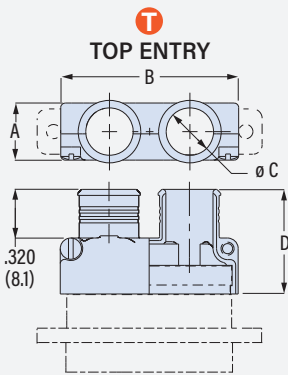


799-131

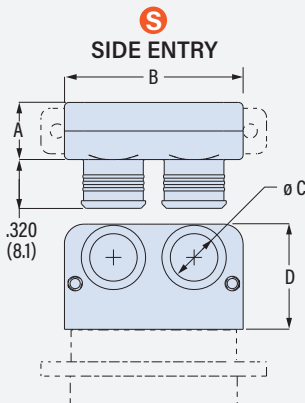
This accessory fits Series 790 and 791 connectors:
790-024, 790-025, 791-001, 791-003

799-131 piggyback backshell fits Series 790 and 791 connectors with rear groove on shell. Two band ports. Terminate cable shield to backshell with BandMaster ATS band strap. Aluminum with stainless steel screws.

799-131T TOP ENTRY

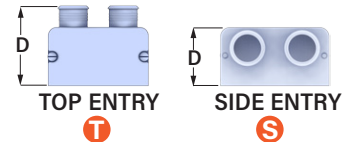
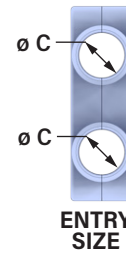


799-131S SIDE ENTRY



HOW TO ORDER

Sample Part Number	799-131T	M	H	09	J	01																																									
Basic Part Number	799-131T T Top Entry 799-131S S Side Entry																																														
Finish	M Electroless Nickel MT Nickel / PTFE N Olive Drab Cadmium TZ Tin-Zinc ZR Black Zinc-Nickel																																														
Shell Size	C D E F G H J K L M																																														
Entry Size	<table border="1"> <thead> <tr> <th>Entry Size</th> <th>ø C</th> <th>Shell Size</th> </tr> </thead> <tbody> <tr><td>35</td><td>.109 (2.8)</td><td>C thru M</td></tr> <tr><td>04</td><td>.125 (3.2)</td><td>D thru M</td></tr> <tr><td>05</td><td>.156 (4.0)</td><td>D thru M</td></tr> <tr><td>06</td><td>.188 (4.8)</td><td>E thru M</td></tr> <tr><td>07</td><td>.219 (5.6)</td><td>E thru M</td></tr> <tr><td>08</td><td>.250 (6.4)</td><td>F thru M</td></tr> <tr><td>09</td><td>.281 (7.1)</td><td>F thru M</td></tr> <tr><td>10</td><td>.312 (7.9)</td><td>F, H thru M</td></tr> <tr><td>11</td><td>.344 (8.7)</td><td>H, L, M</td></tr> <tr><td>12</td><td>.375 (9.5)</td><td>H, L, M</td></tr> <tr><td>13</td><td>.406 (10.3)</td><td>H, L, M</td></tr> <tr><td>14</td><td>.438 (11.1)</td><td>M</td></tr> <tr><td>15</td><td>.469 (11.9)</td><td>M</td></tr> </tbody> </table>	Entry Size	ø C	Shell Size	35	.109 (2.8)	C thru M	04	.125 (3.2)	D thru M	05	.156 (4.0)	D thru M	06	.188 (4.8)	E thru M	07	.219 (5.6)	E thru M	08	.250 (6.4)	F thru M	09	.281 (7.1)	F thru M	10	.312 (7.9)	F, H thru M	11	.344 (8.7)	H, L, M	12	.375 (9.5)	H, L, M	13	.406 (10.3)	H, L, M	14	.438 (11.1)	M	15	.469 (11.9)	M				
Entry Size	ø C	Shell Size																																													
35	.109 (2.8)	C thru M																																													
04	.125 (3.2)	D thru M																																													
05	.156 (4.0)	D thru M																																													
06	.188 (4.8)	E thru M																																													
07	.219 (5.6)	E thru M																																													
08	.250 (6.4)	F thru M																																													
09	.281 (7.1)	F thru M																																													
10	.312 (7.9)	F, H thru M																																													
11	.344 (8.7)	H, L, M																																													
12	.375 (9.5)	H, L, M																																													
13	.406 (10.3)	H, L, M																																													
14	.438 (11.1)	M																																													
15	.469 (11.9)	M																																													
Band	M Micro Band Included (Qty 2) J Micro Slim Band Included (Qty 2) L Micro-Max Band Included (Qty 2)																																														
Height Code	<table border="1"> <thead> <tr> <th>Code</th> <th>D</th> </tr> </thead> <tbody> <tr><td>01</td><td>.810 (20.6)</td></tr> <tr><td>02</td><td>.940 (23.9)</td></tr> <tr><td>04</td><td>1.190 (30.2)</td></tr> <tr><td>06</td><td>1.440 (36.6)</td></tr> <tr><td>08</td><td>1.690 (42.9)</td></tr> </tbody> </table>	Code	D	01	.810 (20.6)	02	.940 (23.9)	04	1.190 (30.2)	06	1.440 (36.6)	08	1.690 (42.9)																																		
Code	D																																														
01	.810 (20.6)																																														
02	.940 (23.9)																																														
04	1.190 (30.2)																																														
06	1.440 (36.6)																																														
08	1.690 (42.9)																																														



Shell Size	A Max		B Max		Available Entries
	in	mm	in	mm	
C	.385	9.8	.785	19.9	35
D	.385	9.8	.885	22.5	35, 04, 05
E	.385	9.8	1.035	26.3	35, 04 thru 07
F	.385	9.8	1.185	30.1	35, 04 thru 10
G	.465	11.8	1.145	29.1	35, 04 thru 09
H	.495	12.6	1.525	38.7	35, 04 thru 10
J	.385	9.8	1.545	39.2	35, 04 thru 10
K	.385	9.8	1.945	49.4	35, 04 thru 10
L	.495	12.6	1.765	44.8	35, 04 thru 13
M	.555	14.1	1.830	46.5	35, 04 thru 15

BAND OPTIONS

Terminate cable braid to backshell with optional Micro band strap and banding tool. Stainless steel band strap is .12 (3.0) wide. Pre-coiled bands are passivated stainless steel. Micro Slim bands have reduced thickness for weight reduction. Micro-Max bands are high-tension for lower-resistivity termination.



Band Type	Hand Tool	Pneumatic Tool
Micro	601-101	601-107
Micro Slim	601-122	601-123
Micro-Max	601-129	601-130