

SERIES 79 MICRO-CRIMP RECTANGULAR CONNECTORS

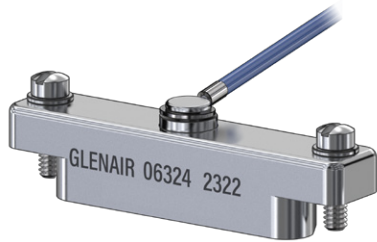
Backshells and Accessories



799-018 and 799-019

Protective Cover, Series 790

- ◆ Fits Series 790 connectors
- ◆ Environmental
- ◆ Conductive EMI gasket








799-018, 799-019

This accessory fits Series 790 Micro-Crimp plug and receptacle connectors

Protective cover has non-conductive fluorosilicone gaskets for dust, moisture and EMI protection. Available with lanyard for panel or cable attachment. Aluminum with stainless steel screws and washers. Gasket Ag/Al-filled fluorosilicone.

TABLE 2 ATTACHMENT TYPE

F		Wire Rope, Blue Nylon Jacket 6/6 nylon over stainless steel rope, fair flexibility, good abrasion resistance, -55 to +100 °C
G		Black Nylon Rope Very flexible, good abrasion and fuel resistance, .062 (1.6) diameter, -55 to +100 °C
H		Wire Rope, Clear FEP Jacket Clear FEP jacket over SST rope, fair flexibility, good abrasion resistance, .100" diameter, -65 to +200 °C
SK		Nylon Rope with Slip Knot Very flexible, good abrasion and fuel resistance, .094 (2.4) diameter. Length includes .5" (13mm) dia. loop, -55 to +100 °C
T		SST Wire Rope, No Jacket Good flexibility, good abrasion resistance, .047 (1.2) diameter, passivated, -65 to +200 °C




HOW TO ORDER							
Sample Part Number	799-018	M	F	MB	F	6	-06
Basic Part Number	799-018 Plug Cover 799-019 Receptacle Cover						
Finish	M Electroless Nickel MT Nickel / PTFE N Olive Drab Cadmium TZ Tin-Zinc ZR Black Zinc-Nickel						
Shell Size	A B C D E F G H J K L M						
Screwlocks (Table 1)	- No Screwlocks MB Filister Head Male Screwlock MH Socket Head Male Screwlock MF Female Post						
Attachment Type (Table 2)	N No Attachment F SST Wire Rope, Nylon Jacket G Nylon Rope H SST Wire Rope, FEP Jacket SK Nylon Rope with Slip Knot T SST Wire Rope, No Jacket						
Attachment Length	Omit If No Attachment Length in One Inch Increments						
Attachment Ring	Omit If No Attachment Omit for Attachment Type SK						
	EYELET		RING		SPLIT RING		
							
	Code	Eyelet I.D.	Code	Ring I.D.	Code	Ring I.D.	
	-01	.125 (3.2)	-14	.385 (9.8)	-50	.425 (10.8)	
	-02	.140 (3.6)	-15	.445 (11.3)	-52	.485 (12.3)	
	-04	.182 (4.6)	-16	.570 (14.5)	-54	.640 (16.3)	
	-06	.197 (5.0)	-17	.635 (16.1)	-56	.750 (19.1)	
			-18	.695 (17.7)	-58	.890 (22.6)	
			-19	.885 (22.5)	-60	1.010 (25.7)	
			-20	1.070 (27.2)	-64	1.125 (28.6)	
					-68	1.345 (34.2)	

TABLE 1 SCREWLOCK OPTION

		
MB Fillister Head	MH Socket Head	MF Female Post

BACKSHELLS AND ACCESSORIES

SERIES 79 MICRO-CRIMP RECTANGULAR CONNECTORS

Backshells and Accessories

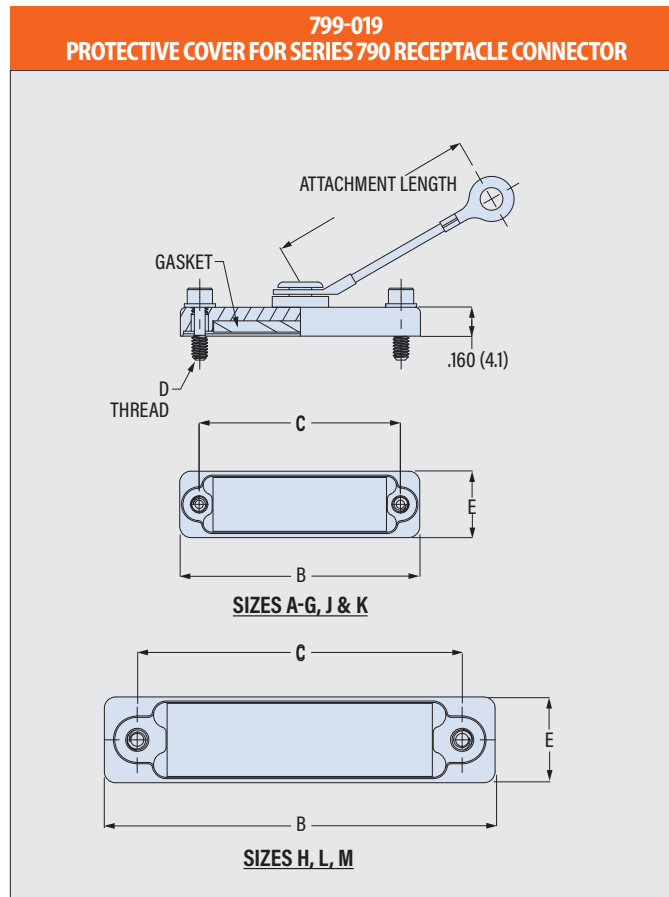
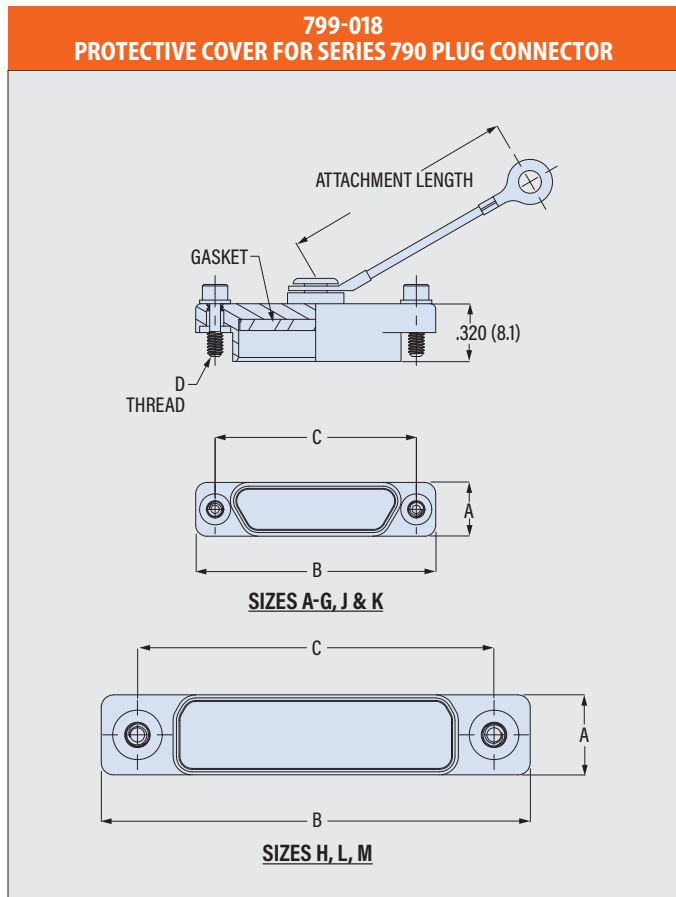
SERIES
79

799-018 and 799-019

Protective Cover, Series 790

- ◆ Fits Series 790 connectors
- ◆ Environmental
- ◆ Conductive EMI gasket

BACKSHELLS AND ACCESSORIES



Shell Size	A Max		B Max		C		D Thread	E	
	in	mm	in	mm	in	mm		in	mm
A	.308	7.8	.785	19.9	.565	14.4	2-56 UNC	.385	9.8
B	.308	7.8	.935	23.7	.715	18.2	2-56 UNC	.385	9.8
C	.308	7.8	1.085	27.6	.865	22.0	2-56 UNC	.385	9.8
D	.308	7.8	1.185	30.1	.965	24.5	2-56 UNC	.385	9.8
E	.308	7.8	1.335	33.9	1.115	28.3	2-56 UNC	.385	9.8
F	.308	7.8	1.485	37.7	1.265	32.1	2-56 UNC	.385	9.8
G	.395	10.0	1.435	36.4	1.215	30.9	2-56 UNC	.470	11.9
H	.410	10.4	2.170	55.1	1.800	45.7	4-40 UNC	.490	12.4
J	.308	7.8	1.845	46.9	1.615	41.0	2-56 UNC	.385	9.8
K	.308	7.8	2.240	56.9	2.015	51.2	2-56 UNC	.385	9.8
L	.410	10.4	2.406	61.1	2.036	51.7	4-40 UNC	.490	12.4
M	.470	11.9	2.570	65.3	2.200	55.9	6-32 UNC	.550	14.0