

SERIES 79 MICRO-CRIMP RECTANGULAR CONNECTORS

Backshells and Accessories

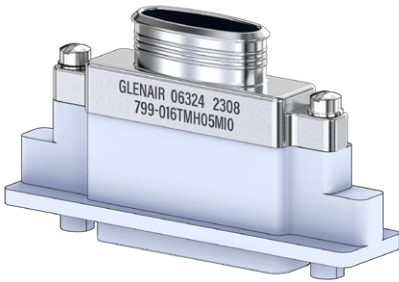
SERIES
79

799-016

Piggyback EMI Banding Backshell, Panel Mount

- ◆ Elliptical entry
- ◆ Band-Master® shield termination
- ◆ Top, side and 45° entry

BACKSHELLS AND ACCESSORIES



799-016

This accessory fits Series 790 and 791 panel mount connectors:
 240-790-071, 240-790-072, 240-791-005,
 240-791-007, 790-026, 790-027, 790-049,
 790-050, 791-017, 791-018, 791-019,
 791-020, 797-744

EMI, lightweight. 799-016 piggyback backshell fits panel mount Series 790 and 791 connectors. Terminate cable shield to backshell with BandMaster ATS band strap. Aluminum or stainless steel with stainless steel screws.

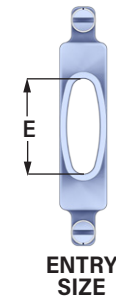
BAND OPTIONS

Stainless steel band strap provides fast, cost-effective and highly reliable termination of braided metallic shielding. *Micro Slim* bands have reduced thickness for weight reduction. High tension *Micro-Max* bands reduce braid-to-shell electrical resistance. Band is .12 (3.0) wide.

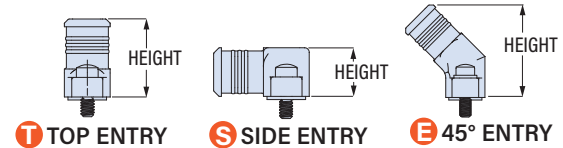


| Band Type | Band P/N 14" Length Pre-Coiled | Hand Tool | Pneumatic Tool |
|------------|--------------------------------------|--------------|-------------------|
| Micro | 601-065 | 601-101 | 601-107 |
| Micro Slim | 601-603 | 601-122 | 601-123 |
| Micro-Max | 601-703 | 601-129 | 601-130 |

| HOW TO ORDER | | | | | | |
|--------------------|-----------------------------|------------------------------|-----------------------------|--------------------|-----------------------------|---------------------------------|
| Sample Part Number | 799-016T | MT | L | 07 | M | 12 |
| Basic Part Number | 799-016T T Top Entry | 799-016S S Side Entry | 799-016E E 45° Entry | | | |
| Material / Finish | M Alum / Electroless Nickel | MT Alum / Nickel - PTFE | N Alum / Olive Drab Cadmium | TZ Alum / Tin-Zinc | ZR Alum / Black Zinc-Nickel | Z1 Stainless Steel / Passivated |
| Shell Size | A B C D E F G H J K L M N | | | | | |
| Entry Size | Entry Size | | Shell Size | | | |
| 01 | .255 (6.5) | A thru N | | | | |
| 02 | .405 (10.3) | B thru N | | | | |
| 03 | .555 (14.1) | C thru N | | | | |
| 04 | .655 (16.6) | D thru N | | | | |
| 05 | .805 (20.4) | E thru N | | | | |
| 06 | .920 (23.4) | F thru N | | | | |
| 07 | 1.110 (28.2) | H thru N | | | | |
| 08 | 1.300 (33.0) | H thru N | | | | |
| 09 | 1.415 (35.9) | K thru N | | | | |
| 10 | 1.535 (39.0) | K thru N | | | | |
| 11 | 1.705 (43.3) | K and N | | | | |
| 12 | 1.600 (40.6) | K, M, N | | | | |
| 13 | 2.000 (50.8) | N | | | | |
| Band | M Micro Band Included | J Micro Slim Band Included | L Micro-Max Band Included | | | |
| Height Code | Code | | Shell Size | | | |
| | Height | T Top | E 45° | S Side | | |
| 05 | .313 (8.0) | — | — | A-F, J, K | | |
| 08 | .500 (12.7) | — | — | A thru M | | |
| 10 | .625 (15.9) | A thru L | — | A thru N | | |
| 12 | .750 (19.1) | A thru N | A-F, J, K | A thru N | | |
| 14 | .875 (22.2) | A thru N | A thru M | G, H, L, M, N | | |
| 16 | 1.000 (25.4) | A thru N | A thru N | G, H, L, M, N | | |
| 18 | 1.125 (28.6) | A thru N | G, H, L, M, N | M, N | | |
| 20 | 1.250 (31.8) | G, H, L, M, N | G, H, L, M, N | M, N | | |
| | | T TOP ENTRY | S SIDE ENTRY | E 45° ENTRY | | |



ENTRY SIZE



SERIES 79 MICRO-CRIMP RECTANGULAR CONNECTORS

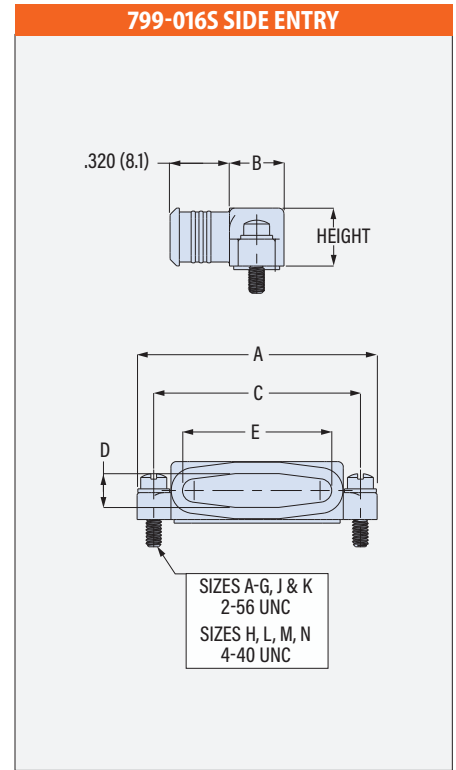
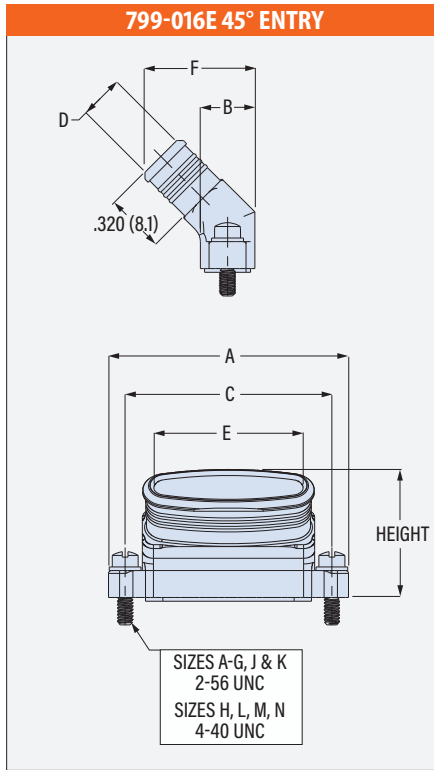
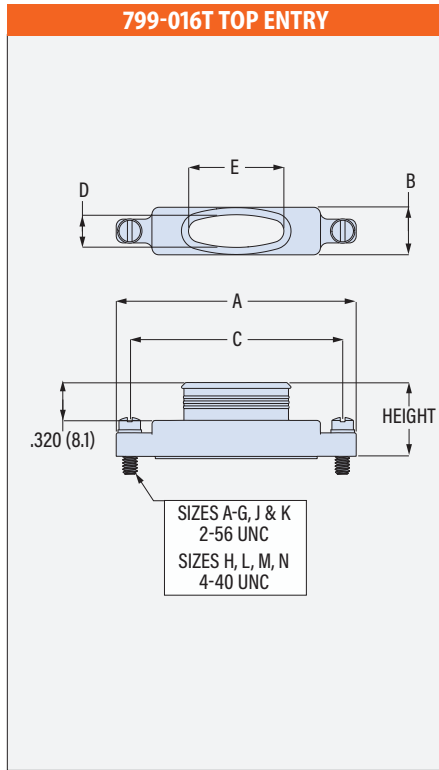
Backshells and Accessories



799-016

Piggyback EMI Banding Backshell, Panel Mount

- ◆ Elliptical entry
- ◆ Band-Master® shield termination
- ◆ Top, side and 45° entry



| Shell Size | A Max | | B Max | | C | | D | | F | | Available Entries |
|------------|-------|------|-------|------|-------|------|------|------|-----|------|-------------------|
| | in | mm | in | mm | in | mm | in | mm | in | mm | |
| A | .760 | 19.3 | .308 | 7.8 | .565 | 14.4 | .190 | 4.8 | .59 | 15.0 | 01 |
| B | .910 | 23.1 | .308 | 7.8 | .715 | 18.2 | .190 | 4.8 | .59 | 15.0 | 01 thru 02 |
| C | 1.060 | 26.9 | .308 | 7.8 | .865 | 22.0 | .190 | 4.8 | .59 | 15.0 | 01 thru 03 |
| D | 1.160 | 29.5 | .308 | 7.8 | .965 | 24.5 | .190 | 4.8 | .59 | 15.0 | 01 thru 04 |
| E | 1.310 | 33.3 | .308 | 7.8 | 1.115 | 28.3 | .190 | 4.8 | .59 | 15.0 | 01 thru 05 |
| F | 1.460 | 37.1 | .308 | 7.8 | 1.265 | 32.1 | .190 | 4.8 | .59 | 15.0 | 01 thru 06 |
| G | 1.410 | 35.8 | .395 | 10.0 | 1.215 | 30.9 | .275 | 7.0 | .68 | 17.3 | 01 thru 06 |
| H | 2.045 | 51.9 | .410 | 10.4 | 1.800 | 45.7 | .300 | 7.6 | .70 | 17.8 | 01 thru 08 |
| J | 1.810 | 46.0 | .308 | 7.8 | 1.615 | 41.0 | .190 | 4.8 | .59 | 15.0 | 01 thru 08 |
| K | 2.210 | 56.1 | .308 | 7.8 | 2.015 | 51.2 | .190 | 4.8 | .59 | 15.0 | 01 thru 12 |
| L | 2.281 | 57.9 | .410 | 10.4 | 2.036 | 51.7 | .300 | 7.6 | .70 | 17.8 | 01 thru 10 |
| M | 2.445 | 62.1 | .470 | 11.9 | 2.200 | 55.9 | .360 | 9.1 | .76 | 19.3 | 01 thru 10, 12 |
| N | 2.645 | 67.2 | .534 | 13.6 | 2.350 | 59.7 | .425 | 10.8 | .83 | 21.1 | 01 thru 13 |

| Entry Size | E | | Available Sizes |
|------------|-------|------|-----------------|
| | in | mm | |
| 01 | .255 | 6.5 | A thru N |
| 02 | .405 | 10.3 | B thru N |
| 03 | .555 | 14.1 | C thru N |
| 04 | .655 | 16.6 | D thru N |
| 05 | .805 | 20.4 | E thru N |
| 06 | .920 | 23.4 | F thru N |
| 07 | 1.110 | 28.2 | H thru N |
| 08 | 1.300 | 33.0 | H thru N |
| 09 | 1.415 | 35.9 | K thru N |
| 10 | 1.535 | 39.0 | K thru N |
| 11 | 1.705 | 43.3 | K and N |
| 12 | 1.600 | 40.6 | K, M, N |
| 13 | 2.000 | 50.8 | N |

BACKSHELLS AND ACCESSORIES