

SERIES 79 MICRO-CRIMP RECTANGULAR CONNECTORS

Backshells and Accessories



799-011

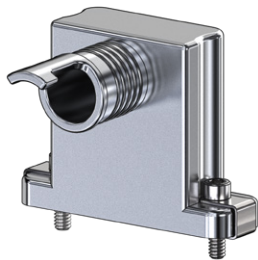
EMI Banding Backshell

- ◆ Elliptical entry
- ◆ Band-Master® shield termination
- ◆ Top and side entry

BACKSHELLS AND ACCESSORIES



T Top Entry



S Side Entry

799-011

This accessory fits Series 790 connectors 790-024, 790-025, 790-069, 790-070

EMI banding, elliptical entry. 799-011 backshell fits Series 790 cable connectors. Terminate cable shield to backshell with BandMaster ATS band strap. Connector flange sits inside backshell. Optional Qwik-Ty strain relief arm. Aluminum or stainless steel with stainless steel screwlocks and retainer clips.

TABLE 1 SCREWLOCK OPTIONS

B Slotted Fillister Head	H Hex Socket Head
E Extended Slotted Knurled	F Female Jackpost

HOW TO ORDER																																								
Sample Part Number	799-011T M H 06 H M T 08																																							
Basic Part Number	799-011T T Top Entry 799-011S S Side Entry																																							
Material / Finish	M Alum / Electroless Nickel MT Alum / Nickel - PTFE N Alum / Olive Drab Cadmium TZ Alum / Tin-Zinc ZR Alum / Black Zinc-Nickel Z1 Stainless Steel / Passivated																																							
Shell Size	A B C D E F G H J K L M																																							
Entry Size	<table border="1"> <thead> <tr> <th>Entry Size</th> <th>E</th> <th>Shell Size</th> </tr> </thead> <tbody> <tr><td>01</td><td>.300 (7.6)</td><td>A thru M</td></tr> <tr><td>02</td><td>.450 (11.4)</td><td>B thru M</td></tr> <tr><td>03</td><td>.600 (15.2)</td><td>C thru M</td></tr> <tr><td>04</td><td>.700 (17.8)</td><td>D thru M</td></tr> <tr><td>05</td><td>.850 (21.6)</td><td>E thru M</td></tr> <tr><td>06</td><td>.965 (24.5)</td><td>F thru M</td></tr> <tr><td>07</td><td>1.155 (29.3)</td><td>H thru M</td></tr> <tr><td>08</td><td>1.345 (34.2)</td><td>H thru M</td></tr> <tr><td>09</td><td>1.460 (37.1)</td><td>K thru M</td></tr> <tr><td>10</td><td>1.580 (40.1)</td><td>K thru M</td></tr> <tr><td>11</td><td>1.760 (44.7)</td><td>K</td></tr> <tr><td>12</td><td>1.645 (41.8)</td><td>K and M</td></tr> </tbody> </table> <p>ENTRY SIZE</p>	Entry Size	E	Shell Size	01	.300 (7.6)	A thru M	02	.450 (11.4)	B thru M	03	.600 (15.2)	C thru M	04	.700 (17.8)	D thru M	05	.850 (21.6)	E thru M	06	.965 (24.5)	F thru M	07	1.155 (29.3)	H thru M	08	1.345 (34.2)	H thru M	09	1.460 (37.1)	K thru M	10	1.580 (40.1)	K thru M	11	1.760 (44.7)	K	12	1.645 (41.8)	K and M
Entry Size	E	Shell Size																																						
01	.300 (7.6)	A thru M																																						
02	.450 (11.4)	B thru M																																						
03	.600 (15.2)	C thru M																																						
04	.700 (17.8)	D thru M																																						
05	.850 (21.6)	E thru M																																						
06	.965 (24.5)	F thru M																																						
07	1.155 (29.3)	H thru M																																						
08	1.345 (34.2)	H thru M																																						
09	1.460 (37.1)	K thru M																																						
10	1.580 (40.1)	K thru M																																						
11	1.760 (44.7)	K																																						
12	1.645 (41.8)	K and M																																						
Screwlocks (Table 1)	B Slotted Fillister Head Screwlocks E Slotted Extended Knurled Screwlocks F Female Posts H Hex Socket Head Screwlocks																																							
Band	B Standard Band Included S Slim Standard Band Included M Micro Band Included J Micro Slim Band Included L Micro-Max Band Included																																							
Qwik-Ty®	T Qwik-Ty Strain Relief Arm Included N No Qwik-Ty 																																							
Height Code	<table border="1"> <thead> <tr> <th>Height Code</th> <th>Height</th> <th>Available Profiles</th> </tr> </thead> <tbody> <tr><td>06</td><td>.750 (19.1)</td><td>T</td></tr> <tr><td>07</td><td>.875 (22.2)</td><td>T</td></tr> <tr><td>08</td><td>1.000 (25.4)</td><td>T S</td></tr> <tr><td>09</td><td>1.125 (28.6)</td><td>T S</td></tr> <tr><td>10</td><td>1.250 (31.8)</td><td>T S</td></tr> </tbody> </table> <p>HEIGHT</p>	Height Code	Height	Available Profiles	06	.750 (19.1)	T	07	.875 (22.2)	T	08	1.000 (25.4)	T S	09	1.125 (28.6)	T S	10	1.250 (31.8)	T S																					
Height Code	Height	Available Profiles																																						
06	.750 (19.1)	T																																						
07	.875 (22.2)	T																																						
08	1.000 (25.4)	T S																																						
09	1.125 (28.6)	T S																																						
10	1.250 (31.8)	T S																																						

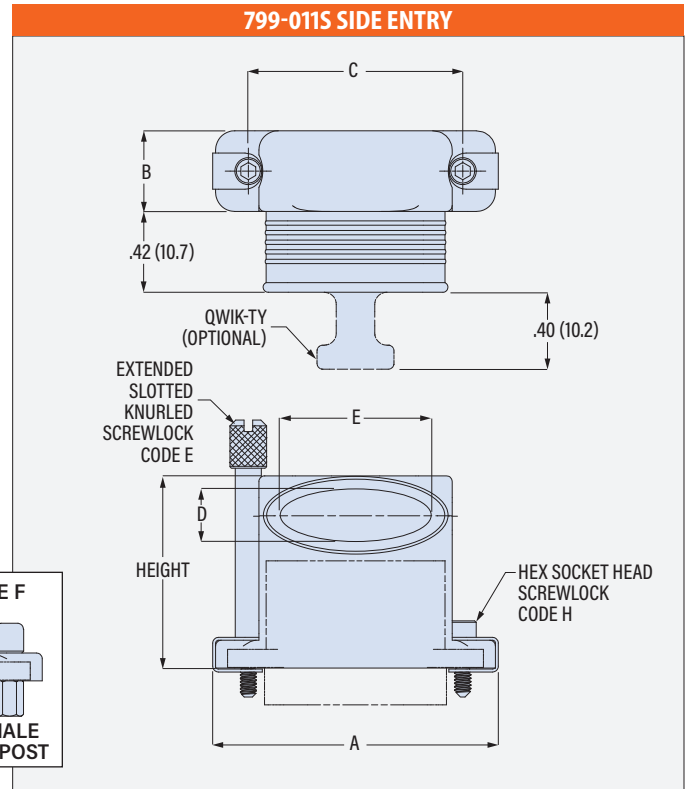
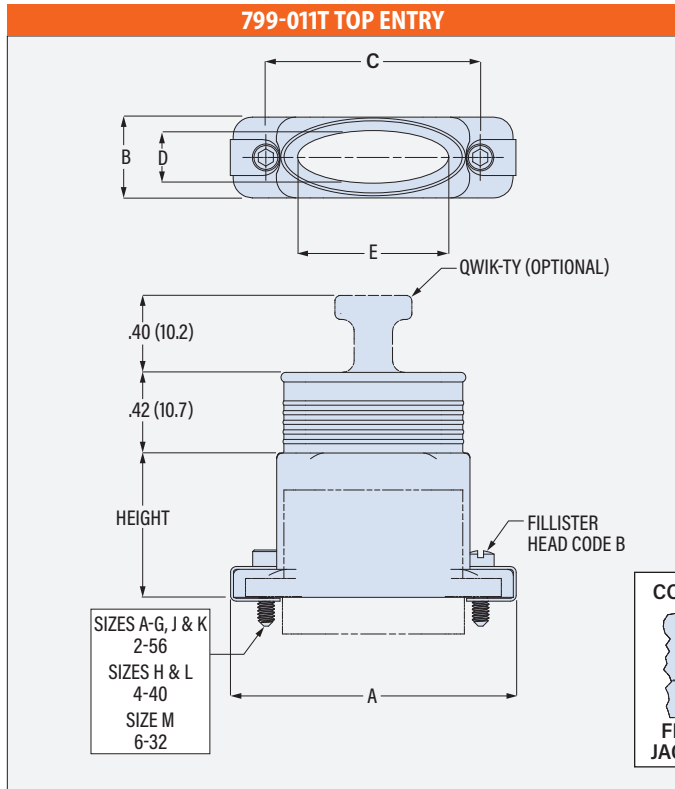
SERIES 79 MICRO-CRIMP RECTANGULAR CONNECTORS

Backshells and Accessories



799-011 EMI BANDING Backshell

- ◆ Elliptical entry
- ◆ Band-Master® shield termination
- ◆ Top and side entry



Shell Size	A Max		B Max		C		D		Available Entries
	in	mm	in	mm	in	mm	in	mm	
A	.935	23.7	.450	11.4	.565	14.4	.300	7.6	01
B	1.085	27.6	.450	11.4	.715	18.2	.300	7.6	01 thru 02
C	1.235	31.4	.450	11.4	.865	22.0	.300	7.6	01 thru 03
D	1.335	33.9	.450	11.4	.965	24.5	.300	7.6	01 thru 04
E	1.485	37.7	.450	11.4	1.115	28.3	.300	7.6	01 thru 05
F	1.635	41.5	.450	11.4	1.265	32.1	.300	7.6	01 thru 06
G	1.585	40.3	.533	13.5	1.215	30.9	.383	9.7	01 thru 06
H	2.320	58.9	.560	14.2	1.800	45.7	.410	10.4	01 thru 08
J	1.990	50.5	.450	11.4	1.615	41.0	.300	7.6	01 thru 08
K	2.385	60.6	.450	11.4	2.015	51.2	.300	7.6	01 thru 12
L	2.556	64.9	.560	14.2	2.036	51.7	.410	10.4	01 thru 10
M	2.720	69.1	.620	15.7	2.200	55.9	.470	11.9	01 thru 10, 12

Entry Size	E		Available Sizes
	in	mm	
01	.300	7.6	A thru M
02	.450	11.4	B thru M
03	.600	15.2	C thru M
04	.700	17.8	D thru M
05	.850	21.6	E thru M
06	.965	24.5	F thru M
07	1.155	29.3	H thru M
08	1.345	34.2	H thru M
09	1.460	37.1	K thru M
10	1.580	40.1	K thru M
11	1.760	44.7	K
12	1.645	41.8	K and M

SCREWLOCKS

CLIP
Clip has circular hole and square hole.

ASSEMBLY
INSTALL CLIP WITH SQUARE HOLE ON TOP. Screw is floating. Mate connectors first, then fasten screwlocks.

BAND OPTIONS

Stainless steel band strap provides fast, cost-effective and highly reliable termination of braided metallic shielding. *Slim Standard* and *Micro Slim* bands have reduced thickness for weight reduction. High tension *Micro-Max* bands reduce braid-to-shell electrical resistance.

Band Type	Band Width	Band P/N 14" Length Pre-Coiled	Hand Tool	Pneumatic Tool
Standard	.24 (6.1)	601-041	601-100	601-106
Slim Standard	.24 (6.1)	601-573	601-109	601-110
Micro	.12 (3.0)	601-065	601-101	601-107
Micro Slim	.12 (3.0)	601-603	601-122	601-123
Micro-Max	.12 (3.0)	601-703	601-129	601-130

BACKSHELLS AND ACCESSORIES