

Series 78 Rubber Covers

for Series 805 Mighty Mouse Connectors

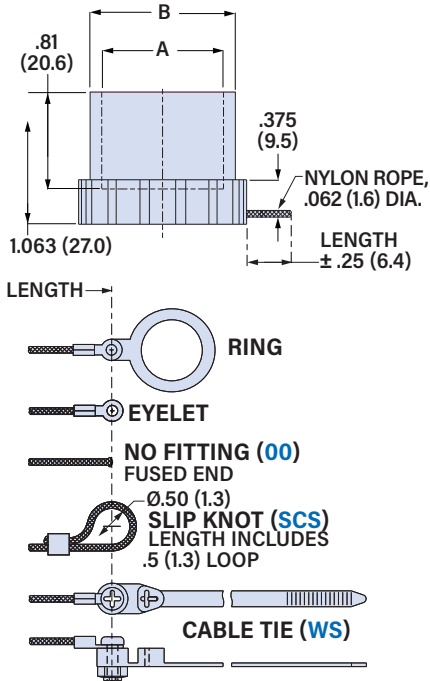
809-197 Rubber Cover, Plug



809-197 covers fit Glenair Series 805 Mighty Mouse plug connectors. Rugged molded rubber "Mini-Bean" cover fits over the coupling nut and protects from dust and damage. Fungus-resistant, sulfur-free neoprene with nylon rope. Attachment choices include cable tie, slip knot or ring. Rings are stainless steel with non-reflective black coating. Splashproof, not submersible.

MATERIAL / FINISH

- Cover: black neoprene (standard), fungus resistant, sulfur-free
- Code C: conductive black neoprene, 100 ohms/sq. minimum
- Attachment cord: nylon, black
- Cable tie: black nylon with passivated SST screw and locknut
- Ring, eyelet: SST, black zinc cobalt
- Slip knot sleeve: copper/ black zinc cobalt



Shell Size	øA		øB	
	±.060 (1.5) In.	±.060 (1.5) mm.	±.060 (1.5) In.	±.060 (1.5) mm.
-08	.66	16.8	.91	23.1
-09	.76	19.3	1.01	25.7
-10	.80	20.3	1.05	26.7
-11	.89	22.6	1.14	29.0
-12	.95	24.1	1.20	30.5
-13	1.02	25.9	1.27	32.3
-15	1.07	27.2	1.32	33.5
-18	1.26	32.0	1.51	38.4
-19	1.28	32.5	1.53	38.9
-21	1.42	36.1	1.67	42.4
-23	1.53	38.9	1.78	45.2

PART NUMBER

	809-197	-12	G	6	-02	C
Base P/N	809-197	Plug Cover				
Shell Size	-08 -09 -10 -11 -12 -13 -15 -18 -19 -21 -23					
Attachment Type	<i>Omit for No Attachment</i> G Nylon Rope, .062 (1.6) diameter					
Attachment Length	<i>Length in 1 inch increments</i>					
Attachment Fitting	-00 No Fitting -SCS Slip Knot -WS Cable Tie <i>See Table 1 for Eyelet and Ring Attachment Fitting Codes</i>					
Material	<i>Omit for non-conductive black neoprene</i> C Conductive Black Neoprene (10 ⁵ Ω/square min)					

TABLE 1 ATTACHMENT FITTING

SLIP KNOT

Code **SCS**
Copper sleeve with black zinc cobalt finish. May be crimped after adjustment to permanently fix location.

CABLE TIE

Code **WS**
6/6 nylon cable tie with screw and locknut. 1.77 (45.0) max. wire bundle dia. -40 to +85 °C.

RING

Code	Ring I.D. ±.015 (0.4)
-32	.265 (6.7)
-29	.315 (8.0)
-14	.385 (9.8)
-15	.445 (11.3)
-33	.510 (13.0)
-16	.570 (14.5)
-17	.635 (16.1)
-18	.695 (17.7)
-27	.766 (19.5)
-31	.820 (20.8)

Code	Ring I.D. ±.015 (0.4)
-19	.885 (22.5)
-26	.950 (24.1)
-28	1.015 (25.8)
-20	1.070 (27.2)
-21	1.135 (28.8)
-22	1.210 (30.7)
-23	1.275 (32.4)
-30	1.380 (35.1)
-25	1.530 (38.9)

EYELET

Code	Eyelet I.D. ±.010 (0.3)
-01	.125 (3.2)
-02	.145 (3.7)
-04	.182 (4.6)
-06	.197 (5.0)