

Series 66 Protective Covers

for Series 803 Mighty Mouse Connectors

660-082 Plug Cover

MM803 Plug Cover



TABLE 1 MATERIAL / FINISH

Aluminum	Stainless Steel
-C Black Anodize	-Z1 Passivate
-M Electroless Nickel	
-NF Olive Drab Cadmium	
-MT Nickel-PTFE	
-ZR Black Zinc-Nickel	
-TZ Tin-Zinc	

TABLE 2 ATTACHMENT TYPE

D		SST Bead Chain .125 (3.2) diameter, size 6, -65 to +200 °C
F		Wire Rope, Blue Nylon Jacket 6/6 nylon over stainless steel rope, fair flexibility, good abrasion resistance, -55 to +100 °C
G		Black Nylon Rope Very flexible, good abrasion and fuel resistance, .094 (2.4) diameter, -55 to +100 °C
H		Wire Rope, Clear FEP Jacket Clear FEP jacket over SST rope, fair flexibility, good abrasion resistance, .100" diameter, -65 to +200 °C
S		Sash Chain #8 sash chain, stainless steel. Length tolerance is ± one link. .280 (Z1)
SK		Nylon Rope with Slip Knot Very flexible, good abrasion and fuel resistance, .094 (2.4) diameter. Length includes .5" (13mm) dia. loop, -55 to +100 °C
T		SST Wire Rope, No Jacket Good flexibility, good abrasion resistance, .047 (1.2) diameter, passivated, -65 to +200 °C
U		Wire Rope, Black Polyurethane Stainless steel rope with black polyurethane coating, flexible, excellent abrasion resistance and resistance to fuels, .080" (2mm) diameter, -55 to +125 °C

660-083 protective cover fits Glenair Series 803 bayonet plug connectors. Aluminum or stainless steel, with stainless steel fittings. Fluorosilicone gasket.

PART NUMBER

	660-082	-M	-S	12	04	-5
Base P/N	660-082					
Material/Finish	See Table 1					
Attachment Type	-N No Attachment See Table 2 for Attachment Types					
Shell Size	5 6 7 8 9 10 12 14 15					
Attachment Ring	Omit for Attachment Types N and SK -00 No Ring See Table 3 for Attachment Ring Codes					
Attachment Length	Omit for Attachment Type N Length in One Inch Increments					

Shell Size	ø B Max In.	mm.
5	.620	15.7
6	.620	15.7
7	.620	15.7
8	.690	17.5
9	.760	19.3
10	.850	21.6
12	.940	23.8
14	1.170	29.7
15	1.170	29.7

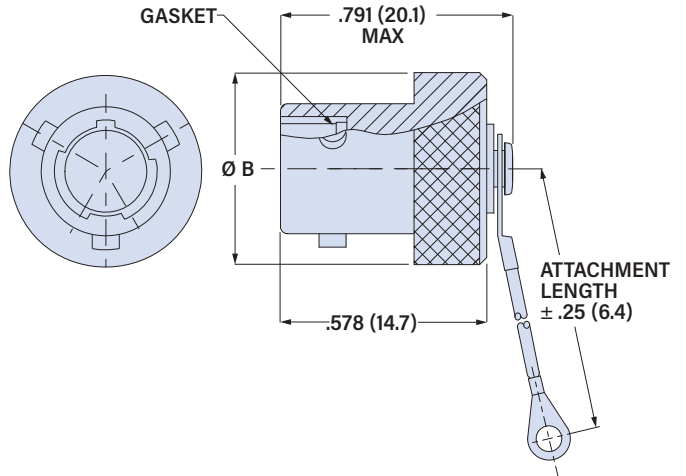


TABLE 3 ATTACHMENT RING

EYELET		SOLID RING		SPLIT RING	CABLE TIE
Code	Eyelet I.D. ± .010 (0.3)	Code	Ring I.D. ± .015 (0.4)	Code	Ring I.D. ± .015 (0.4)
01	.125 (3.2)	32	.265 (6.7)	19	.885 (22.5)
02	.145 (3.7)	29	.315 (8.0)	26	.950 (24.1)
04	.182 (4.6)	14	.385 (9.8)	28	1.015 (25.8)
06	.197 (5.0)	15	.445 (11.3)	20	1.070 (27.2)
		33	.510 (13.0)	21	1.135 (28.8)
		16	.570 (14.5)	22	1.210 (30.7)
		17	.635 (16.1)	23	1.275 (32.4)
		18	.695 (17.7)	24	1.380 (35.1)
		27	.766 (19.5)	30	1.380 (35.1)
		31	.820 (20.8)	25	1.530 (38.9)
				50	.432 (11.0)
				52	.492 (12.5)
				54	.648 (16.5)
				56	.757 (19.2)
				58	.898 (22.8)
				60	1.023 (26.0)
				64	1.137 (28.9)
				68	1.357 (34.5)
					Code WS Black 6/6 nylon cable tie 1.77 (45.0) max. wire bundle dia.