

# Series 62 Saddle Clamps

for Series 806 Mil/Aero Connectors

## 620V\*081 Saddle Clamp, Composite

**Self-Locking**



**Self-locking. Full radius saddles.** Lightweight, corrosion-proof composite saddle clamp fits Glenair Series 806 MilAero connectors. For use with open bundle wiring harnesses and closed bundle (jacketed) harnesses. Anti-decoupling mechanism provides audible detented coupling and prevents backoff under high vibration. Telescoping screws. Full radius saddles are intended to be bottomed onto frame. High temperature thermoplastic. Straight, 45° and 90° profiles.

**Adapter Code** **V**

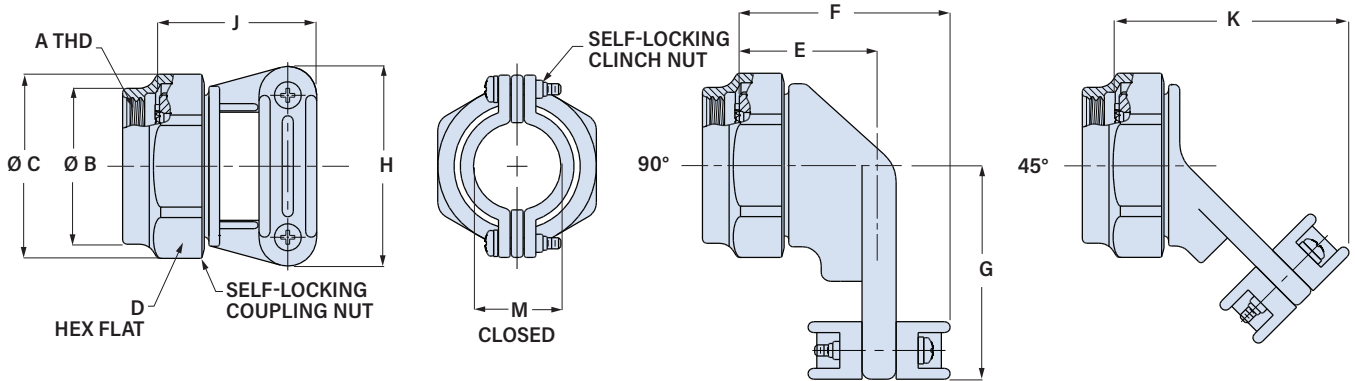
This accessory fits Glenair Series 806 MilAero Connectors

**PART NUMBER**

		<b>620VS081</b>	<b>XM</b>	<b>14</b>							
Base P/N	<b>620VS081</b>	Straight									
	<b>620VB081</b>	45°									
	<b>620VA081</b>	90°									
Clamp Body Finish	<b>XM</b>	Electroless Nickel									
	<b>XW</b>	Olive Drab Cadmium									
	<b>XB</b>	Unplated, Black Composite									
	<b>XMT</b>	Nickel-PTFE									
	<b>XZN</b>	Black Zinc-Nickel									
Shell Size	<b>08</b>	<b>09</b>	<b>10</b>	<b>11</b>	<b>12</b>	<b>14</b>	<b>16</b>	<b>18</b>	<b>20</b>	<b>22</b>	<b>24</b>

**MATERIAL/FINISH**

- Coupling nut, saddles: polyetherimide/ unplated
- Body: polyetherimide/ plated per PN
- Screws, washers: stainless steel
- Clinch nuts: stainless steel/ silver
- Anti-decoupling spring: thermoplastic



Shell Size	A ISO Metric Thread	øB Max. in mm	øC Max. in mm	D Hex in mm	E Ref. in mm	F ±.06 (1.5) in mm	G ±.06 (1.5) in mm	H ±.06 (1.5) in mm	J ±.06 (1.5) in mm	K Max. in mm	M ±.03 (0.8) in mm
08	M10 x 1.0-6H	.65 16.5	.86 21.8	.75 19.1	.63 16.0	.86 21.8	.88 22.4	.88 22.4	.80 20.3	1.32 33.5	.218 5.5
09	M12 x 1.0-6H	.65 16.5	.86 21.8	.75 19.1	.63 16.0	.86 21.8	.88 22.4	.88 22.4	.80 20.3	1.32 33.5	.218 5.5
10	M14 x 1.0-6H	.77 19.6	.98 24.9	.88 22.2	.65 16.5	.91 23.1	.94 23.9	.94 23.9	.88 22.4	1.35 34.3	.264 6.7
11	M15 x 1.0-6H	.77 19.6	.98 24.9	.88 22.2	.65 16.5	.91 23.1	.94 23.9	.94 23.9	.88 22.4	1.35 34.3	.264 6.7
12	M17 x 1.0-6H	.89 22.6	1.16 29.5	1.00 25.4	.71 18.0	1.02 25.9	1.03 26.2	1.17 29.7	1.00 25.4	1.43 36.3	.345 8.8
14	M19 x 1.0-6H	1.03 26.2	1.28 32.5	1.13 28.6	.76 19.3	1.13 28.7	1.13 28.7	1.28 32.5	1.00 25.4	1.48 37.6	.461 11.7
16	M22 x 1.0-6H	1.03 26.2	1.28 32.5	1.13 28.6	.76 19.3	1.13 28.7	1.13 28.7	1.28 32.5	1.00 25.4	1.48 37.6	.461 11.7
18	M25 x 1.0-6H	1.15 29.2	1.41 35.8	1.25 31.8	.80 20.3	1.26 32.0	1.31 33.3	1.41 35.8	1.13 28.7	1.58 40.1	.544 13.8
20	M28 x 1.0-6H	1.28 32.5	1.52 38.6	1.38 34.9	.83 21.1	1.31 33.3	1.38 35.1	1.50 38.1	1.19 30.2	1.70 43.2	.614 15.6
22	M31 x 1.0-6H	1.41 35.8	1.64 41.7	1.50 38.1	.90 22.9	1.37 34.8	1.50 38.1	1.56 39.6	1.25 31.8	1.74 44.2	.697 17.7
24	M34 x 1.0-6H	1.53 38.9	1.77 45.0	1.63 41.3	.94 23.9	1.45 36.8	1.63 41.4	1.69 42.9	1.38 35.1	1.79 45.5	.780 19.8