

Series 62 Saddle Clamps

for MIL-DTL-38999 Series III and IV Connectors

319H*175 Clamp with EMI Braid Sock

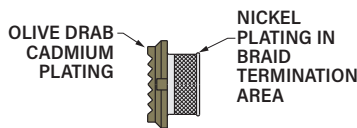


Self-Locking

Shielded. Self-locking. Full radius saddles. Saddle clamp has shielding braid attached to EMI adapter. Fits MIL-DTL-38999 Series III and IV connectors. Anti-decoupling mechanism in coupling nut provides audible detented coupling and prevents backoff under high vibration. Self-locking stainless steel clinch nuts. Aluminum or SST coupling nut and frame, with SST saddles. Straight, 45° and 90° profiles.

Adapter Code H

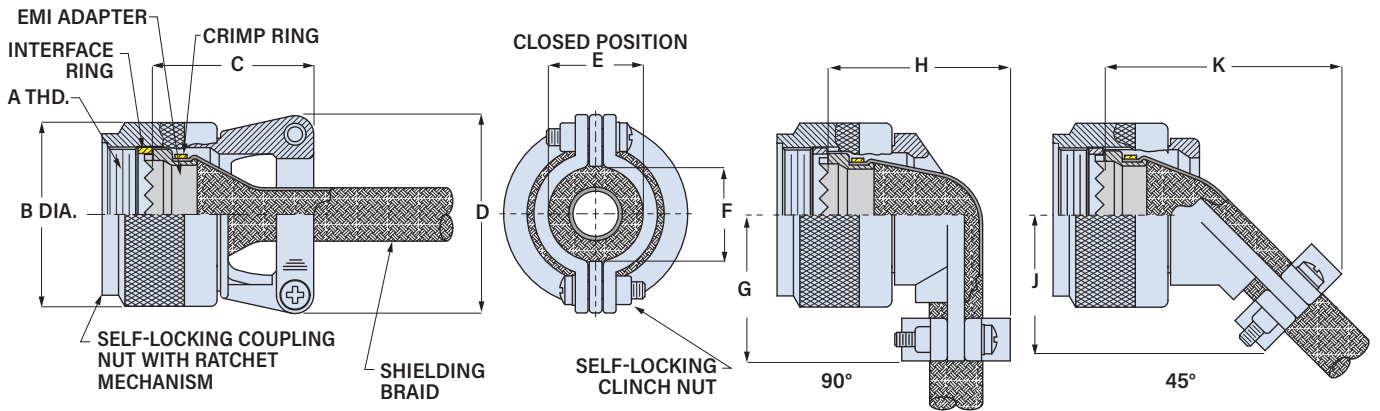
This accessory fits these connectors:
MIL-DTL-38999 Series III and Series IV



INTERFACE RING
Figure 1
Finish Code NF selective Cad/Ni

PART NUMBER

		319HS175	M	14	L	R	14																														
Base P/N	319HS175 Straight 319HA175 90° 319HB175 45°																																				
Material/Finish	M Alum/Electroless Nickel MT Alum/Nickel-PTFE NF Alum/Olive Drab Cadmium ZR Alum/Black Zinc-Nickel TZ Alum/Tin-Zinc ZI SST/Passivated																																				
Size Code	<table border="1"> <tr> <td>Shell Size</td> <td>9</td><td>11</td><td>13</td><td>15</td><td>17</td><td>19</td><td>21</td><td>23</td><td>25</td> </tr> <tr> <td></td> <td>A</td><td>B</td><td>C</td><td>D</td><td>E</td><td>F</td><td>G</td><td>H</td><td>J</td> </tr> <tr> <td>Size Code</td> <td>09</td><td>11</td><td>13</td><td>15</td><td>17</td><td>19</td><td>21</td><td>23</td><td>25</td> </tr> </table>	Shell Size	9	11	13	15	17	19	21	23	25		A	B	C	D	E	F	G	H	J	Size Code	09	11	13	15	17	19	21	23	25						
Shell Size	9	11	13	15	17	19	21	23	25																												
	A	B	C	D	E	F	G	H	J																												
Size Code	09	11	13	15	17	19	21	23	25																												
Braid Type	Omit for standard 34 AWG nickel/copper braid T 34 AWG Tin/Copper Braid A AmberStrand® Nickel/Composite Braid L Microfilament ArmorLite® Nickel/SST Braid																																				
Splice ring and Band	Omit if not required R Splice ring and coiled band supplied with clamp																																				
Braid Length	Omit for standard 12 inch length 14 Length in 1 inch increments, 6 inch min. "14" = 14 inches.																																				



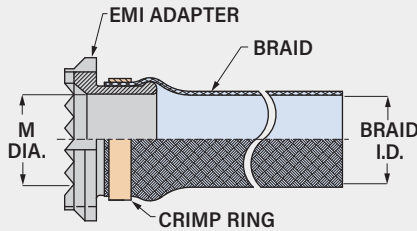
Shell Size	A Thread	øB Max in	mm	C Max in	mm	D Max in	mm	E ± .031(0.8) in	mm	F Min in	mm	G Max in	mm	H Max in	mm	J Max in	mm	K Max in	mm
9 (A)	M12X1.0-6H	.812	20.62	.987	25.07	.922	23.42	.265	6.73	.27	6.9	.97	24.6	1.20	30.5	.964	24.49	1.428	36.27
11 (B)	M15X1.0-6H	.936	23.77	1.095	27.81	.968	24.59	.310	7.87	.31	7.9	1.06	26.9	1.28	32.5	1.050	26.67	1.498	38.05
13 (C)	M18X1.0-6H	1.060	26.92	1.199	30.45	1.189	30.20	.390	9.91	.38	9.7	1.16	29.5	1.40	35.6	1.112	28.24	1.548	39.32
15 (D)	M22X1.0-6H	1.200	30.48	1.208	30.68	1.305	33.15	.506	12.85	.51	13.0	1.34	34.0	1.48	37.6	1.175	29.85	1.648	41.86
17 (E)	M25X1.0-6H	1.318	33.48	1.468	37.29	1.389	35.28	.591	15.01	.59	15.0	1.41	35.8	1.56	39.6	1.230	31.24	1.768	44.91
19 (F)	M28X1.0-6H	1.434	36.42	1.551	39.40	1.458	37.03	.661	16.79	.66	16.8	1.53	38.9	1.68	42.7	1.293	32.84	1.808	45.92
21 (G)	M31X1.0-6H	1.540	39.12	1.676	42.57	1.543	39.19	.744	18.90	.74	18.8	1.66	42.2	1.72	43.7	1.365	34.67	1.858	47.19
23 (H)	M34X1.0-6H	1.671	42.44	1.759	44.68	1.628	41.35	.826	20.98	.83	21.1	1.78	45.2	1.79	45.5	1.417	35.99	1.898	48.21
25 (J)	M37X1.0-6H	1.790	45.47	1.859	47.22	1.697	43.10	.896	22.76	.90	22.9	1.89	48.0	1.88	47.8	1.500	38.10	2.000	50.80

Series 62 Saddle Clamps

for MIL-DTL-38999 Series III and IV Connectors

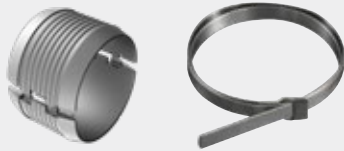
319H*175 Clamp with EMI Braid Sock

EMI ADAPTER AND BRAID DIMENSIONS

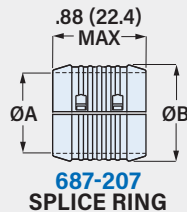


Shell Size	ø M Min.	Braid I.D.
	in mm	in mm
9 (A)	.264 6.71	.375 9.53
11 (B)	.390 9.91	.375 9.53
13 (C)	.504 12.80	.500 12.70
15 (D)	.630 16.00	.500 12.70
17 (E)	.756 19.20	.781 19.84
19 (F)	.843 21.41	.781 19.84
21 (G)	.969 24.61	1.000 25.40
23 (H)	1.091 27.71	1.000 25.40
25 (J)	1.217 30.91	1.250 31.75

SPLICE RING AND PRE-COILED BAND (R OPTION)



Optional split splice ring provides a reliable, low resistance method of splicing braid sock to wire bundle braid. Snap splice ring over wire bundle, then overlap braid sock and cable braid. Install band around splice ring and braid using Band-Master ATS standard banding tool.



687-207
SPLICE RING



Banding Tool

Shell Size	Splice ring Part Number	øA ± .030 (0.8) in mm	øB ± .030 (0.8) in mm
9 (A)	687-207XB04	.25 6.4	.40 10.2
11 (B)	687-207XB06	.38 9.7	.53 13.5
13 (C)	687-207XB08	.50 12.7	.65 16.5
15 (D)	687-207XB10	.63 16.0	.78 19.8
17 (E)	687-207XB12	.75 19.1	.90 22.9
19 (F)	687-207XB14	.88 22.4	1.03 26.2
21 (G)	687-207XB16	1.00 25.4	1.15 29.2
23 (H)	687-207XB18	1.13 28.7	1.28 32.5
25 (J)	687-207XB20	1.25 31.8	1.40 35.6

Shell Size	Band Part Number	Tool Part Number
All	601-041	601-100

MATERIAL/FINISH

Body, coupling nut: aluminum or stainless steel

Saddle bars: stainless steel/passivated

EMI adapter and interface ring: brass, plated per finish code. For finish code NF, adapter is selectively plated as shown in fig. 1. For finish code Z1, adapter and ring are plated electroless nickel

Crimp ring: copper/tin

Screws, washers: stainless steel/passivated

Clinch nuts: stainless steel/silver

Anti-decoupling spring: thermoplastic (aluminum versions) or SST (SST versions)

Coupling nut retainer wire: monel

Band strap: stainless steel

Braid: (standard) 34 AWG nickel-coated copper, type AA59569R34N

Code T: 34 AWG tin-coated copper, type AA59569R34T

Code A: **AmberStrand**® ultralightweight nickel-coated polymer

Code L: **ArmorLite**® microfilament nickel-coated 316L stainless steel