

Series 48 Nut Plates

For Mil Spec Circular Connectors

Nut Plates for MIL-DTL-38999 Series I, III, and IV Connectors

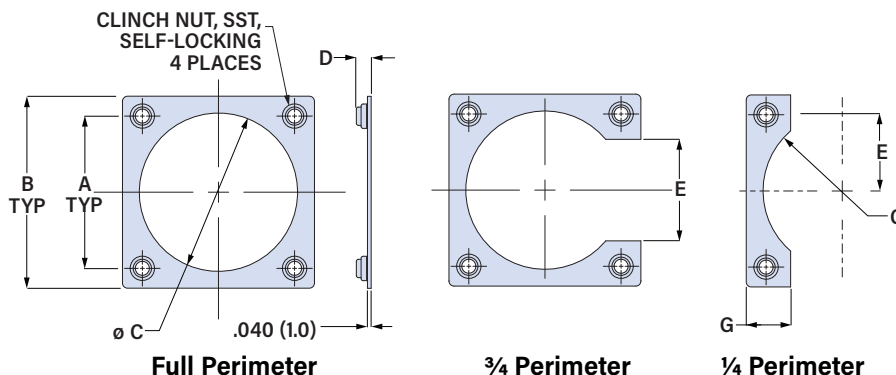
M85049 nut plates fit MIL-DTL-38999 Series I, III, and IV connector receptacles with square flanges. Nut plates eliminate loose lockwashers and nuts for faster installation time and prevention of dropped hardware in hard-to-reach areas. Two finishes are available: chem film or epoxy primer. Passivated stainless steel clinch nuts, 6061 aluminum alloy plate.



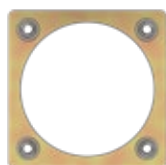
Nut Plate with Chem Film



Nut Plate with Epoxy Primer

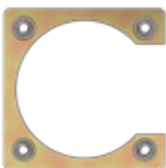


FULL PERIMETER NUT PLATES FOR MIL-DTL-38999 SERIES I, III, AND IV CONNECTORS



Shell Size	Part Number		A		B Max		øC Min		D Max		Threads UNJC-3B
	Chem Film	Epoxy Primer	± .015 (0.4)		in	mm	in	mm	in	mm	
9 (A)	M85049/94-10	M85049/94-10-A	.719	18.3	1.034	26.3	.685	17.4	.166	4.2	4-40
11 (B)	M85049/94-12	M85049/94-12-A	.812	20.6	1.119	28.4	.820	20.8	.166	4.2	4-40
13 (C)	M85049/94-14	M85049/94-14-A	.906	23.0	1.213	30.8	.945	24.0	.166	4.2	4-40
15 (D)	M85049/94-16	M85049/94-16-A	.969	24.6	1.295	32.9	1.070	27.2	.166	4.2	4-40
17 (E)	M85049/94-18	M85049/94-18-A	1.062	27.0	1.421	36.1	1.195	30.4	.166	4.2	4-40
19 (F)	M85049/94-20	M85049/94-20-A	1.156	29.4	1.550	39.4	1.320	33.5	.166	4.2	4-40
21 (G)	M85049/94-22	M85049/94-22-A	1.250	31.8	1.680	42.7	1.440	36.6	.166	4.2	4-40
23 (H)	M85049/94-24	M85049/94-24-A	1.375	34.9	1.800	45.7	1.570	39.9	.183	4.6	6-32
25 (J)	M85049/94-25	M85049/94-25-A	1.500	38.1	1.910	48.5	1.643	41.7	.183	4.6	6-32

3/4 PERIMETER NUT PLATES FOR MIL-DTL-38999 SERIES I, III, AND IV CONNECTORS



Shell Size	Part Number		A		B Max		øC Min		D Max		E		Threads UNJC-3B
	Chem Film	Epoxy Primer	± .005 (0.1)		in	mm	in	mm	in	mm	± .030 (0.8)		
9 (A)	M85049/95-10A	M85049/95-10A-A	.719	18.3	1.034	26.3	.705	17.9	.166	4.2	.433	11.0	4-40
11 (B)	M85049/95-12A	M85049/95-12A-A	.812	20.6	1.119	28.4	.840	21.3	.166	4.2	.530	13.5	4-40
13 (C)	M85049/95-14A	M85049/95-14A-A	.906	23.0	1.213	30.8	.969	24.6	.166	4.2	.624	15.8	4-40
15 (D)	M85049/95-16A	M85049/95-16A-A	.969	24.6	1.295	32.9	1.079	27.4	.166	4.2	.687	17.4	4-40
17 (E)	M85049/95-18A	M85049/95-18A-A	1.062	27.0	1.421	36.1	1.205	30.6	.166	4.2	.780	19.8	4-40
19 (F)	M85049/95-20A	M85049/95-20A-A	1.156	29.4	1.550	39.4	1.330	33.8	.166	4.2	.874	22.2	4-40
21 (G)	M85049/95-22A	M85049/95-22A-A	1.250	31.8	1.680	42.7	1.463	37.2	.166	4.2	.968	24.6	4-40
23 (H)	M85049/95-24B	M85049/95-24B-A	1.375	34.9	1.800	45.7	1.580	40.1	.183	4.6	1.031	26.2	6-32
25 (J)	M85049/95-25A	M85049/95-25A-A	1.500	38.1	1.906	48.4	1.643	41.7	.183	4.6	1.125	28.6	6-32

1/4 PERIMETER NUT PLATES FOR MIL-DTL-38999 SERIES I, III, AND IV CONNECTORS



Shell Size	Part Number		A		B Max		C Min		D Max		E		Threads UNJC-3B		
	Chem Film	Epoxy Primer	± .005 (0.1)		in	mm	in	mm	in	mm	± .005 (0.1)				
9 (A)	M85049/96-10	M85049/96-10-A	.719	18.3	1.034	26.3	.344	8.7	.166	4.2	.359	9.1	.308	7.8	4-40
11 (B)	M85049/96-12	M85049/96-12-A	.812	20.6	1.124	28.6	.410	10.4	.166	4.2	.406	10.3	.306	7.8	4-40
13 (C)	M85049/96-14	M85049/96-14-A	.906	23.0	1.218	30.9	.492	12.5	.166	4.2	.453	11.5	.306	7.8	4-40
15 (D)	M85049/96-16	M85049/96-16-A	.969	24.6	1.295	32.9	.532	13.5	.166	4.2	.484	12.3	.308	7.8	4-40
17 (E)	M85049/96-18	M85049/96-18-A	1.062	27.0	1.405	35.7	.610	15.5	.166	4.2	.531	13.5	.338	8.6	4-40
19 (F)	M85049/96-20	M85049/96-20-A	1.156	29.4	1.550	39.4	.657	16.7	.166	4.2	.578	14.7	.364	9.2	4-40
21 (G)	M85049/96-22	M85049/96-22-A	1.250	31.8	1.680	42.7	.724	18.4	.166	4.2	.625	15.9	.400	10.2	4-40
23 (H)	M85049/96-24	M85049/96-24-A	1.375	34.9	1.800	45.7	.782	19.9	.183	4.6	.687	17.5	.396	10.1	6-32
25 (J)	M85049/96-25	M85049/96-25-A	1.500	38.1	1.906	48.4	.814	20.7	.183	4.6	.750	19.1	.368	9.4	6-32