

Series 48 Nut Plates

480-006 Nut Plate For Series 970 PowerTrip Connectors



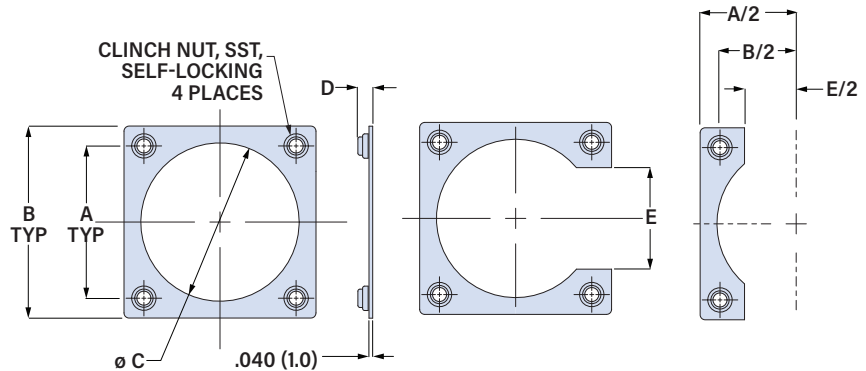
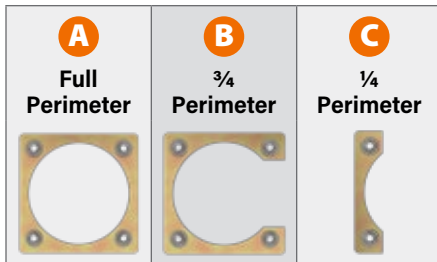
Nut Plate with Epoxy Primer

Nut plates eliminate loose lockwashers and nuts for faster installation time and prevention of dropped hardware in hard-to-reach areas. Three finishes are available: Type I chem film (Code E), Type 2 RoHS-compliant chem film (ER) or epoxy primer (EAP). Passivated stainless steel clinch nuts, 6061 aluminum alloy plate.

PART NUMBER

			480-006	E	16	B
Base P/N	480-006					
Finish	E Chem Film ER Chem Film, RoHS-compliant EAP Epoxy Primer					
Shell Size	18 20 24 28 32 36 40					
Style	A Full Perimeter B 3/4 Perimeter C 1/4 Perimeter					

STYLES



Shell Size	A		B		ø C		D Max		E		Threads UNC
	±.003 (0.1) in	mm	±.015 (0.4) in	mm	±.005 (0.1) in	mm	in	mm	±.015 (0.4) in	mm	
18	1.015	25.8	1.403	35.6	1.135	28.8	.183	4.6	.651	16.5	6-32
20	1.140	29.0	1.528	38.8	1.260	32.0	.183	4.6	.723	18.4	6-32
24	1.281	32.5	1.738	44.1	1.510	38.4	.183	4.6	.866	22.0	6-32
28	1.568	39.8	2.158	54.8	1.823	46.3	.198	5.0	1.046	26.6	8-32
32	1.734	44.0	2.343	59.5	2.073	52.7	.198	5.0	1.189	30.2	8-32
36	1.984	50.4	2.598	66.0	2.260	57.4	.198	5.0	1.296	32.9	8-32
40	2.234	56.7	2.848	72.3	2.510	63.8	.198	5.0	1.440	36.6	8-32