

Series 48 Nut Plates

480-003 Nut Plate For Series 806 Mil-Aero Connectors



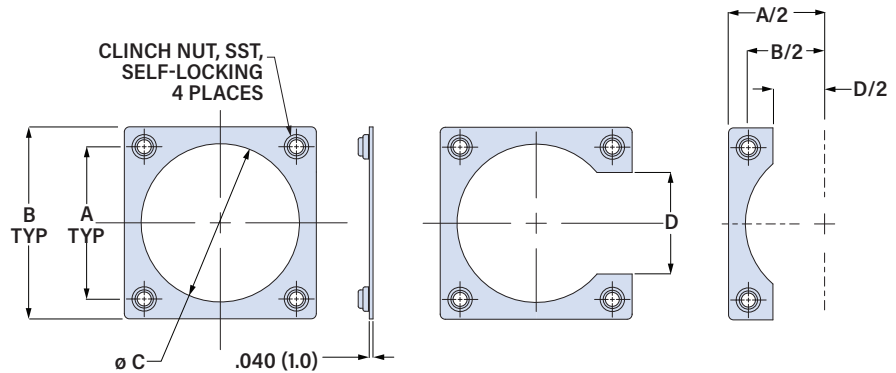
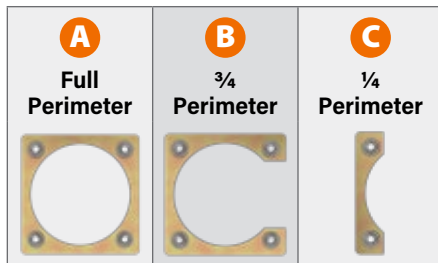
Nut Plate with Epoxy Primer

Nut plates eliminate loose lockwashers and nuts for faster installation time and prevention of dropped hardware in hard-to-reach areas. Three finishes are available: Type I chem film (Code E), Type 2 RoHS-compliant chem film (ER) or epoxy primer (EAP). Passivated stainless steel clinch nuts, 6061 aluminum alloy plate.

PART NUMBER

		480-003	E	16	B	M
Base P/N	480-003					
Finish	E Chem Film ER Chem Film, RoHS-compliant EAP Epoxy Primer					
Shell Size	7 8 9 10 11 12 14 16 18 20 22 24					
Style	A Full Perimeter B 3/4 Perimeter C 1/4 Perimeter					
Metric Threads	<i>Omit for UNC Threads</i> M Metric Threads					

STYLES



Shell Size	A		B		ø C		D		Threads	
	±.015 (0.4) in	mm	±.015 (0.4) in	mm	±.015 (0.4) in	mm	±.015 (0.4) in	mm	UNC	Metric
7	.740	18.8	.469	11.9	.433	11.0	.201	5.1	4-40	M3-0.5
8	.812	20.6	.531	13.5	.494	12.5	.263	6.7	4-40	M3-0.5
9	.875	22.2	.594	15.1	.562	14.3	.326	8.3	4-40	M3-0.5
10	.903	22.9	.625	15.9	.630	16.0	.357	9.1	4-40	M3-0.5
11	.950	24.1	.670	17.0	.697	17.7	.402	10.2	4-40	M3-0.5
12	1.028	26.1	.765	19.4	.753	19.1	.497	12.6	4-40	M3-0.5
14	1.123	28.5	.859	21.8	.875	22.2	.591	15.0	4-40	M3-0.5
16	1.217	30.9	.938	23.8	1.000	25.4	.670	17.0	4-40	M3-0.5
18	1.308	33.2	1.016	25.8	1.110	28.2	.748	19.0	4-40	M3-0.5
20	1.434	36.4	1.109	28.2	1.260	32.0	.789	20.0	6-32	M4-0.7
22	1.560	39.6	1.203	30.6	1.385	35.2	.883	22.4	6-32	M4-0.7
24	1.686	42.8	1.312	33.3	1.510	38.4	.992	25.2	6-32	M4-0.7