

# Qwik-Ty® Strain Reliefs

for AS50151 Crimp, M26482 Series II, M83723 Series III, AS95234

## 457A\*044 Qwik-Ty Strain Relief, Composite, with EMI Band Adapter

**Self-Locking**



**Low profile. Light weight. Band-Master shield termination.** 457A\*044 Qwik-Ty® strain relief fits AS50151 crimp, AS95234, MIL-DTL-26482 Series II, MIL-DTL-83723 Series III connectors. Terminate cable shield to adapter with Band-Master strap (purchased separately). "T" slots in adapter accept individual shields. Anti-decoupling mechanism provides audible detented coupling and prevents backoff under high vibration. Attach wire bundle to arm with cable tie (not supplied). Optional rubber pad provides wire cushioning. Black thermoplastic body, coupling nut and detent spring, aluminum banding adapter, fluorosilicone spacer pad.

**Adapter Code A**

AS50151 crimp, AS95234, MIL-DTL-26482 Ser. II, MIL-DTL-83723 Ser. III

**PART NUMBER**

<b>457AB044</b>	<b>M</b>	<b>12</b>	<b>P</b>
-----------------	----------	-----------	----------

**Base P/N**

<b>457AS044</b>	Straight
<b>457AA044</b>	90°
<b>457AB044</b>	45°

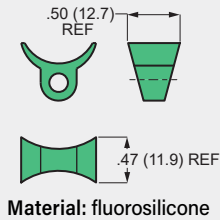
**Banding Adapter Finish**

<b>M</b>	Electroless Nickel
<b>NF</b>	Olive Drab Cadmium
<b>MT</b>	Nickel-PTFE

**Shell Size** **08 10 12 14 16 18 20 22 24**

**Rubber Spacer Pad** *Omit if not required*  
**P** Supplied with optional rubber spacer pad (fig. 1)

**FIGURE 1: SPACER PAD**

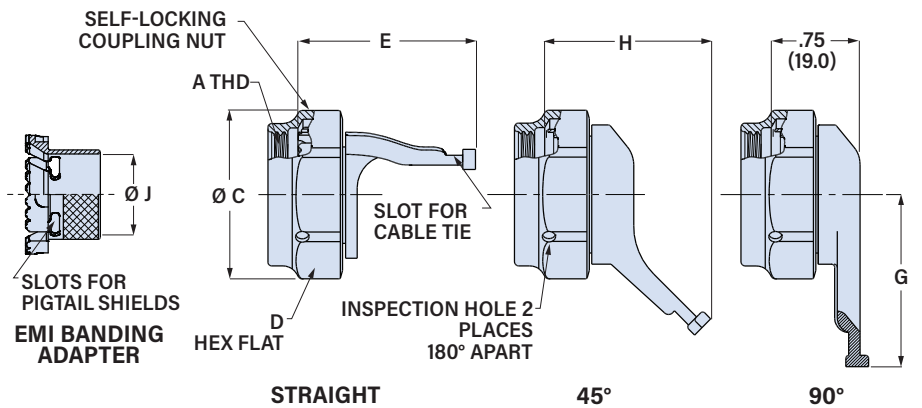


**BANDING STRAP**

Terminate cable braid to backshell with **banding strap**. Glenair's Band-Master ATS® banding system provides quick, easy, cost-effective and highly reliable termination of braid shield. Stainless steel.



Pre-Coiled Band P/N	Length	Max Diameter
<b>601-061</b>	8.13 (206)	.88 (22.4)
<b>601-065</b>	14.25 (362)	1.88 (47.8)



Shell Size	A Thread Class 2B	øC Max		D Hex Flats		E Max		G Max		H Max		J ±.015 (0.4)	
		In.	mm.	In.	mm.	In.	mm.	In.	mm.	In.	mm.	In.	mm.
<b>08</b>	0.500-20 UNF	.86	21.8	.750	19.1	1.28	32.5	1.22	31.0	1.14	29.0	.140	3.6
<b>10</b>	0.625-24 UNEF	.98	24.9	.875	22.4	1.28	32.5	1.29	32.8	1.14	29.0	.270	6.9
<b>12</b>	0.750-20 UNEF	1.16	29.5	1.000	25.4	1.44	36.6	1.62	41.1	1.14	29.0	.390	9.9
<b>14</b>	0.875-20 UNEF	1.28	32.5	1.125	28.6	1.51	38.4	1.66	42.2	1.64	41.7	.512	13.0
<b>16</b>	1.000-20 UNEF	1.41	35.8	1.250	31.8	1.51	38.4	1.72	43.7	1.64	41.7	.637	16.2
<b>18</b>	1.0625-18 UNEF	1.52	38.6	1.375	34.9	1.57	39.9	1.72	43.7	1.74	44.2	.757	19.2
<b>20</b>	1.1875-18 UNEF	1.64	41.7	1.500	38.1	1.71	43.4	1.79	45.5	1.74	44.2	.881	22.4
<b>22</b>	1.3125-18 UNEF	1.77	45.0	1.625	41.3	1.83	46.5	1.85	47.0	1.74	44.2	1.006	25.6
<b>24</b>	1.4375-18 UNEF	1.89	48.0	1.750	44.5	1.95	51.0	1.91	48.5	1.95	49.5	1.131	28.7